

**GENERAL INFORMATION**

Materials	3
Technical Information	3
Load Ratings	4
Referenced Specifications	4
Bolted, Gasketed, Watertight Applications	5
Confidentiality, Payment Terms	6
Warranty	7

**ROUND**

Manhole Frames and Covers	8
Manhole Frames and Grates	98
Manhole Risers	137

**SQUARE / RECTANGULAR**

Frames and Covers	140
Catch Basin Frames and Grates	156
Inlet Frames and Grates	188
Catch Basin and Inlet Risers	218
Hoods and Traps	224
Trench Frames and Grates	231

**BOXES**

Cleanout / Monument Boxes	237
Valve Boxes	249
Roadway Boxes	266
Service / Buffalo Boxes	269
Minneapolis Style Boxes	276
Erie / Arch Style Boxes	279
Meter Box Covers	287

**MISCELLANEOUS**

Miscellaneous	298
---------------	-----

### MATERIALS

#### Gray Iron

Gray iron used in the manufacturing of General Foundries' castings shall be Class 30B or Class 35B (as specified) and shall comply with **ASTM A48** specifications.

#### Ductile Iron

Ductile iron used in the manufacturing of General Foundries' castings shall comply with **ASTM A536** specifications.

#### Steel

Steel used in the fabrication of General Foundries' products shall comply with **ASTM A36** specifications.

---

### TECHNICAL INFORMATION

#### Strength

- Gray Iron Castings: Minimum tensile strength of **35,000 psi**.
- Ductile Iron Castings: Minimum tensile strength of **65,000 psi**.

#### Tolerances

As-cast dimensions may vary by **±1/16 inch per linear foot**.

#### Machining

Round, traffic-bearing manhole castings are machined on both seating contact surfaces (frame and cover) to ensure full bearing. Square and rectangular castings are not machined unless specifically requested.

#### Custom Sizes

Our fabrication facility is equipped to manufacture custom-size components for specialized needs with minimal lead time.

#### Weights

Weights are not listed in this catalog. Please contact your regional sales representative for product weight information.

### LOAD RATINGS

#### Light Duty

For sidewalks and grassy areas exposed only to pedestrian or lawn-maintenance traffic.

#### Heavy Duty

For areas subject to regular vehicular traffic. Products in this classification meet or exceed **AASHTO H-20 / HS-20S** standards and are proof-load tested to a minimum of **40,000 lbs.**

#### Extra Heavy Duty

For areas subject to heavy vehicular traffic. Products meet or exceed **AASHTO H-25 / HS-25S** standards and are proof-load tested to a minimum of **50,000 lbs.**

#### Airport Castings

For airports, marine ports, and heavy industrial applications. Products meet or exceed **FAA load requirements of 100,000 lbs** and are proof-load tested up to **250,000 lbs**, per product specifications.

#### Destructive Testing

All new products undergo destructive load testing. Subsequently, General Foundries performs regular proof-load testing on all Heavy-Duty products by applying a concentrated load on a **9" x 9"** contact area at the center of the casting.

---

### REFERENCED SPECIFICATIONS

**ADA** – Americans with Disabilities Act of 1990

#### Gray Iron:

- ASTM A48 – Standard Specification for Gray Iron Castings
- AASHTO M 105 – Standard Specification for Gray Iron Castings
- AASHTO M 306 – Standard Specification for Drainage Structure Castings

#### Ductile Iron:

- ASTM A536 – Standard Specification for Ductile Iron Castings

#### Steel:

- ASTM A36 – Standard Specification for Carbon Structural Steel
- ASTM A572 – Standard Specification for High-Strength Structural Steel
- ASTM A588 – Standard Specification for High-Strength Low-Alloy Structural Steel

### BOLTED, GASKETED, AND WATERTIGHT APPLICATIONS

#### IMPORTANT

Clear-opening dimensions for bolted or watertight castings are approximately **1 inch smaller** than catalog dimensions due to the addition of bolting lugs. If clear-opening size is critical, select a casting with a larger opening.

#### BOLTED APPLICATIONS

Bolted castings are supplied with standard stainless-steel hex-head bolts. Customers may substitute tamper-proof bolts if desired.

##### Benefits:

- Prevents theft
- Deters vandalism
- Restricts unauthorized access

#### GASKETED APPLICATIONS

Gasketed covers are supplied with either an **O-Ring Gasket** or a **T-Gasket** (please specify).

##### Benefits:

1. Reduces water infiltration into sanitary collection systems
2. Allows access without removing bolts

#### WATERTIGHT APPLICATIONS

##### Watertight castings

Watertight castings include bolts and an O-Ring gasket.

##### Benefits:

1. Prevents water infiltration into sanitary collection systems
2. Prevents theft, vandalism, and unauthorized access

### CONFIDENTIALITY

All information exchanged between buyer and seller is strictly confidential and may not be disclosed without the written consent of both parties.

---

### PAYMENT TERMS

- **Net 30 Days:** Upon credit approval, payment is due within 30 days of invoice date.
- **Late Fee:** A charge of **2% per month** will be applied to all past-due balances.
- **Collection:** If collection action is required, buyer agrees to pay all associated costs, including reasonable attorney's fees.
- **Returns:**
  - A **20% restocking fee** applies to all returned merchandise.
  - Merchandise may not be returned without written authorization.
  - Return shipping must be prepaid by the buyer.
  - Refunds may be denied for goods returned in non-saleable condition.
  - Seller reserves the right to refuse returned goods.

## GENERAL FOUNDRIES LIMITED WARRANTY STATEMENT

The following warranty terms must be accepted by both buyer and seller prior to any exchange of goods. "Seller" refers to General Foundries; "Buyer" refers to the customer. Buyer's order will be accepted only under the following conditions unless otherwise agreed to in writing by both parties.

### Warranty Coverage

General Foundries warrants its products to be free from defects in material and workmanship for **one (1) year** from the invoice date.

This warranty includes replacement with the same or a comparable product if an identical item is not immediately available. All defective materials must be returned to our New Jersey facility for repair or replacement.

### Warranty Limitations

This warranty does **not** cover failures resulting from:

- Improper installation
- Improper servicing
- Any modifications by parties other than Seller
- Use in applications for which the product was not intended

**THIS WARRANTY IS SPECIFIC AND PROVIDED IN PLACE OF ALL OTHER WARRANTIES, EXPRESS OR IMPLIED, INCLUDING BUT NOT LIMITED TO WARRANTIES OF MERCHANTABILITY, FITNESS FOR A PARTICULAR PURPOSE, OR NON-INFRINGEMENT.**

Liability is limited strictly to the repair or replacement cost of the product. Claims for transportation, labor, or consequential damages will not be honored.

**Manhole Frames and Covers Summary**

Summary of manhole frames and covers listed in order of smallest **clear opening** and **frame height**.

Product	Cover Diameter	Seat Height	Clear Opening	Frame Seat ID	Frame Seat OD	Frame Height	Load Rating
11231	12	1	10-1/2	12-1/4	16-1/2	3	Light Duty
11831	18	1	16-1/2	18-1/4	22-1/2	3	Light Duty
12031	20	1	18-1/2	20-1/4	24-1/2	3	Light Duty
12151	21-3/4	1-1/4	20	27-7/8 x 33-7/8	34-3/4 x 40-3/4	5-1/4	M306
12161	21-3/4	1-1/4	20	22-1/8	30-1/2 x 30-1/2	6-1/4	M306
12371	23-1/2	1	21	24-1/2	33-1/4	7-1/2	M306
12385	23-1/2	1-7/8	21	24-3/4	36	8	M306
12467	23-7/8	1-1/4	21-1/2	25	34	6	M306
12485	24-3/8	1-3/8	21-1/2	24-1/2	34	8	M306
12487	23-7/8	1-1/4	21-1/2	25	34	8	M306
12431	23-3/4	1	22	24	28	3	Light Duty
12373	23-1/2	1-1/2	22	24-1/2	32-1/4	7-1/2	M306
12341	23-1/2	1	22-1/4	23-3/4	29-3/4	4	M306
12361	23-3/4	1-1/4	22-1/4	24-1/2	30-1/4	6	M306
12441	24	1-1/4	22-3/8	24-1/4	32	4	M306
12451	24	1	22-3/8	22-3/8	31	5	M306
12461	24	1-1/4	22-3/8	24	34	6	M306
12481	24	1-1/4	22-3/8	24-5/8	34	8	M306
12343	23-3/4	3/4	22-1/2	24	29-1/2	3-1/2	Light Duty
12443	24	1-1/4	22-1/2	24-3/8	30 x 30	4	M306
12471	24	1-1/4	22-1/2	24-1/2	34	7	M306
12543	25-3/8	2	23	31	39	4	M306
12583	25-3/8	2	23	31	39	8	M306
12641	25-3/4	1-3/8	24	26	34	4	M306
12643	25-3/4	1-3/8	24	32	39	4	M306
12633	26	1-3/8	24	26-3/4	34	4	M306
12741	26-3/4	1-1/2	24	27	39	4	M306
12661	25-3/4	1-3/8	24	26-5/8	34	6	M306
12673	26	1-3/8	24	26-3/4	34	7-1/2	M306
12681	25-3/4	1-3/8	24	27	34-1/2	8	M306
12683	25-3/4	1-3/8	24	32	39	8	M306
12686PA	25-3/4	1-1/2	24	27	34-1/2	8	M306
12781	26-3/4	1-1/2	24	27	39	8	M306
12786PA	27-1/4	1-1/2	24	24	34 x 34	8	M306
BSA24	25-5/8	1	24-1/8	26-3/4	34-3/4	4	M306
BSA28	25-5/8	1	24-1/8	26-3/4	34-3/4	8	M306
12645	26	1-1/8	24-1/4	26-1/2	34-1/4	4	M306
12665	26	1-1/8	24-1/4	26-1/2	34-1/4	6	M306
12669	26	1-1/8	24-1/4	26-1/2	34-1/4	6	M306

(Part 1 of 2)

**Manhole Frames and Covers Summary**

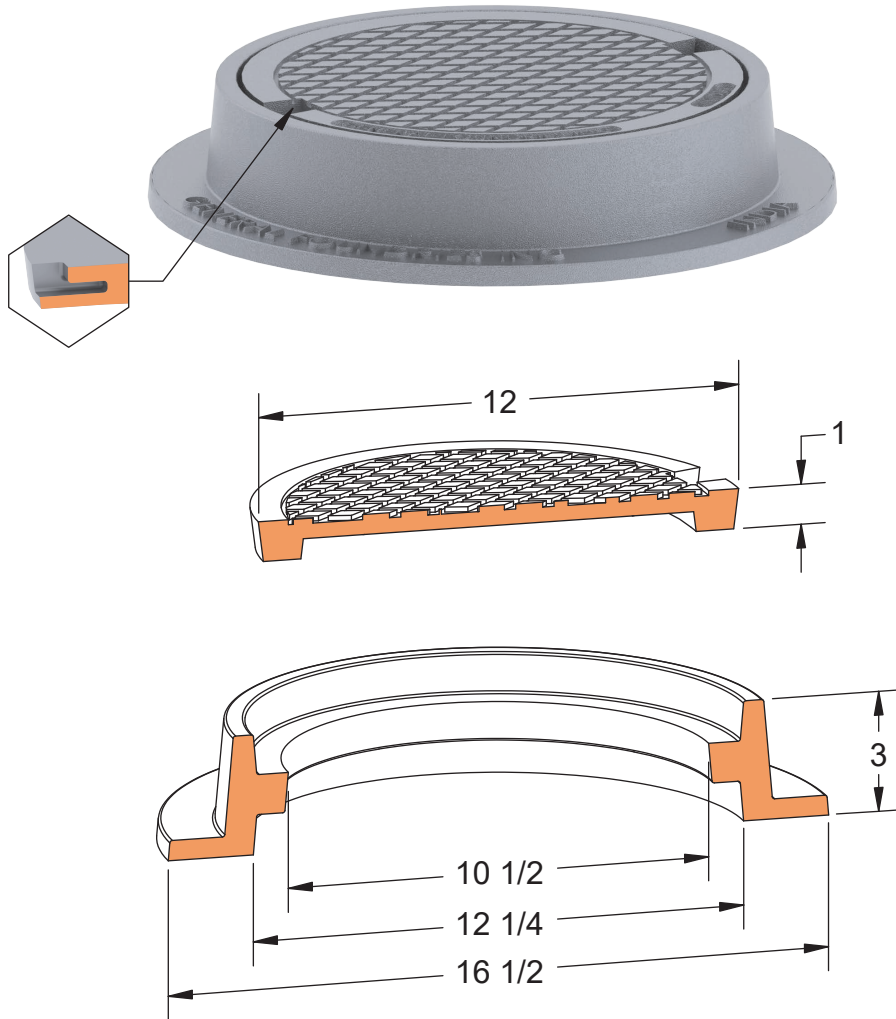
Summary of manhole frames and covers listed in order of smallest **clear opening** and **frame height**.

Product	Cover Diameter	Seat Height	Clear Opening	Frame Seat ID	Frame Seat OD	Frame Height	Load Rating
12685	26	1-1/8	24-1/4	26-1/2	34	8	M306
BSGMH	27-9/16	1	26	40-3/4 x 53	51-1/2 x 63-1/2	10	M306
FD140	32-3/8	1-3/8	26-3/4	28-1/4	42 x 42	9	M306
13031	29-3/4	1	27-3/4	30	36	3	Light Duty
BSB5	29-3/4	1-1/4	28	36	46	8	M306
13251	31-5/8	1-3/4	30	32-1/2	39	4	M306
13261	31-5/8	1-3/4	30	32-1/2	39	6	M306
13271	32	1-1/2	30	32	43	6-1/2	M306
13273	31-15/16	1-3/8	30	34-3/8	41 x 41	7	M306
13281	31-5/8	1-3/4	30	32-1/2	39	8	M306
13286PA	31-3/4	1-1/2	30	32	43	8	M306
13241	32	1-1/2	30-1/4	32-1/4	38	4	M306
13496PAS	33-3/4	3	31-3/8	31-3/8	44	9	M306
13641	37-3/4	1-1/2	36	38	48	4	M306
13661	37-3/4	1-1/2	36	38	48	6	M306
13861	38-1/4	2	36	36	45 x 45	6	M306
13681	37-3/4	1-1/2	36	38	48	8	M306
13685	37-3/4	1-1/2	36	36	48	8	M306
13886PA	37-3/4	1-1/2	36	36	46 x 46	8	M306
13986PA	39-1/4	1-1/2	36	36	46 x 46	8	M306
13812	38-1/4	2	36	36	45 x 45	12	M306
BSA3-C	25-1/2	1-1/4	-	-	-	-	M306
BSBRD-C	23-1/2	3/4	-	-	-	-	Light Duty

(Part 2 of 2)

**PRODUCT #11231**

12" x 3" Frame & Cover



**Available Markings**

Plain  
Sewer



Light  
Duty



ASTM  
A48



Gray Iron  
Class 35B



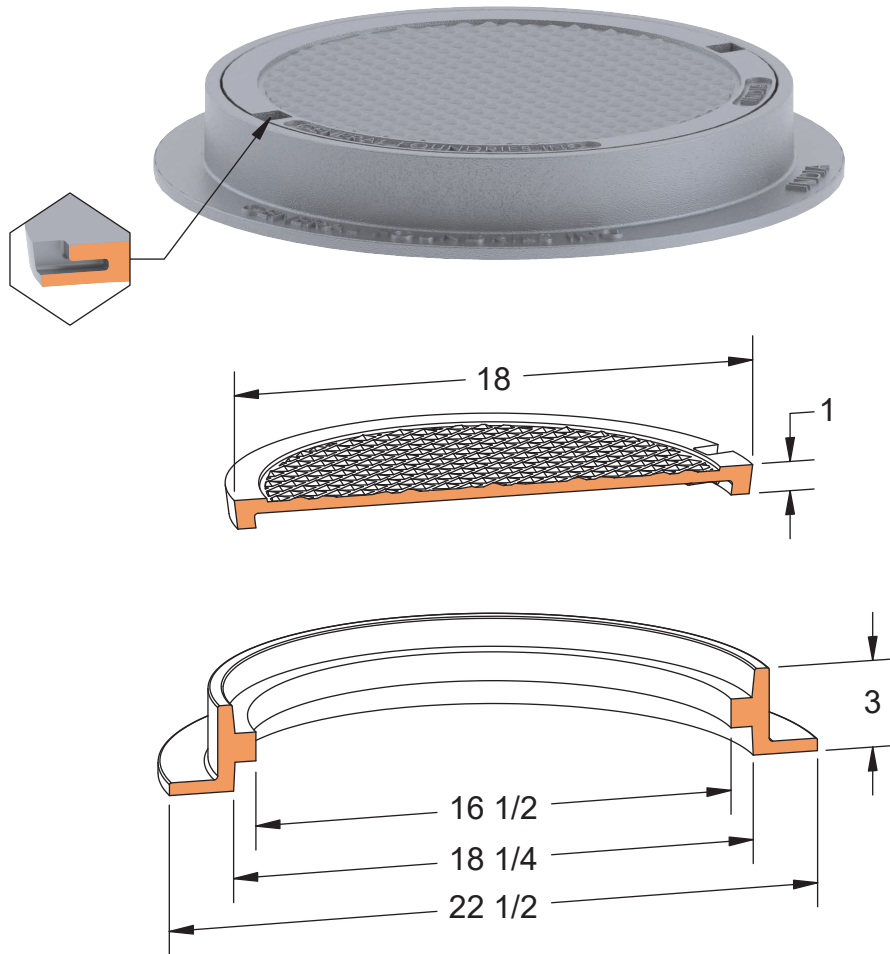
Reversible



Grates  
Available

**PRODUCT #11831**

18" x 3" Frame & Cover



**Available Markings**

- Drain
- Electric
- Plain
- Sewer



Light  
Duty



ASTM  
A48



Gray Iron  
Class 35B



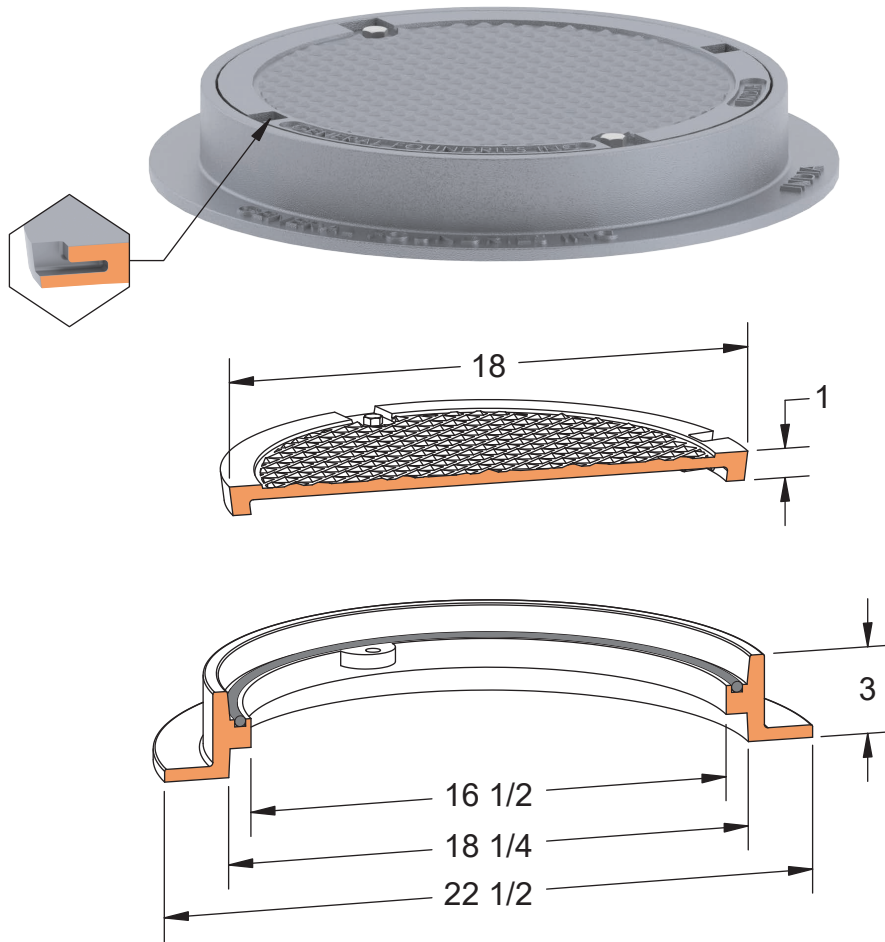
Reversible



Grates  
Available

**PRODUCT #11831-WT**

18" x 3" Watertight Frame & Cover



**Available Markings**

Plain  
Sewer

**Options**

Bolted Only  
(11831-BLT)

Gasketed Only  
(11831-GSK)



Light  
Duty



ASTM  
A48



Gray Iron  
Class 35B



Bolted



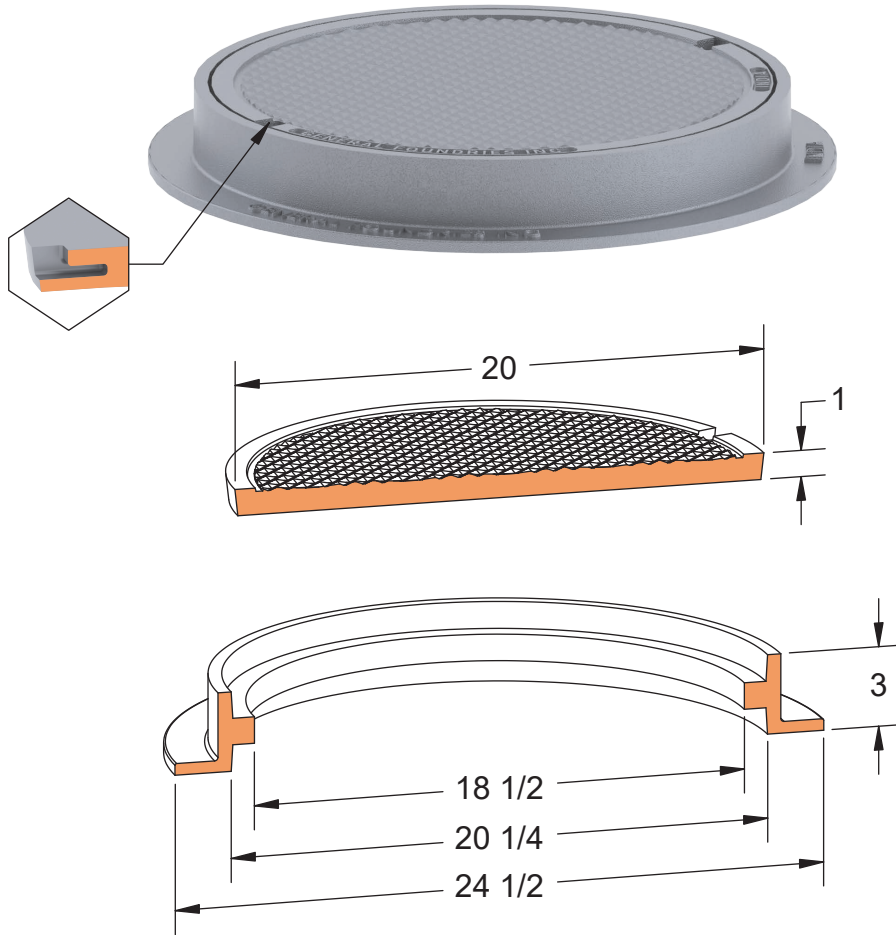
Gasket



Watertight

**PRODUCT #12031**

20" x 3" Frame & Cover



**Available Markings**

- Electric
- Plain
- Signal



Light  
Duty



ASTM  
A48



Gray Iron  
Class 35B



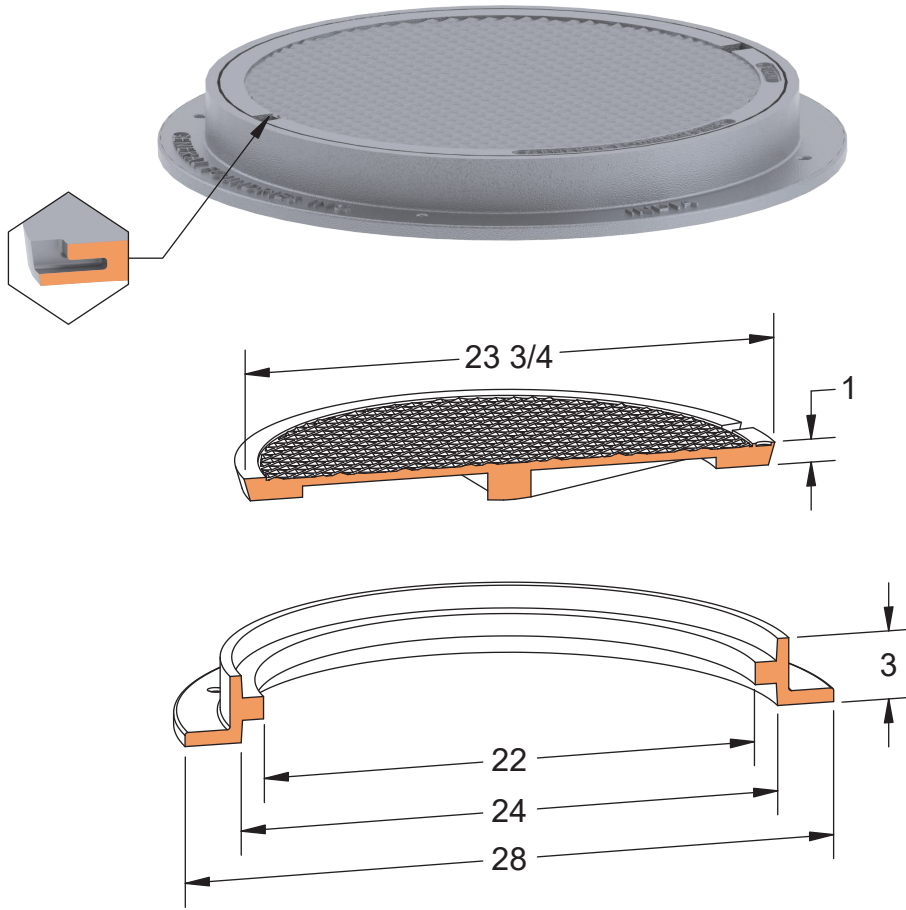
Reversible



Grates  
Available

**PRODUCT #12431**

24" x 3" Frame & Cover



**Available Markings**

- Drain
- Plain
- Septic
- Sewer



Light  
Duty



ASTM  
A48



Gray Iron  
Class 35B



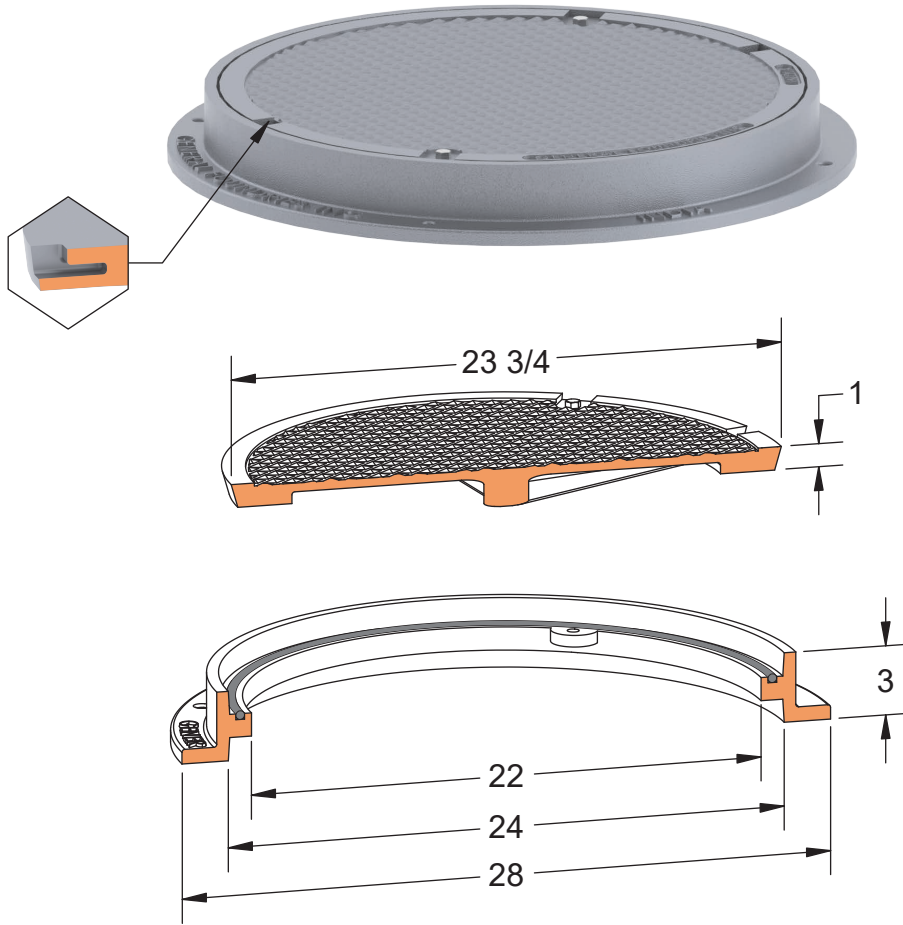
Reversible



Grates  
Available

**PRODUCT #12431-WT**

24" x 3" Watertight Frame & Cover



**Available Markings**

- Drain
- Plain
- Septic
- Sewer



Light  
Duty



ASTM  
A48



Gray Iron  
Class 35B



Bolted



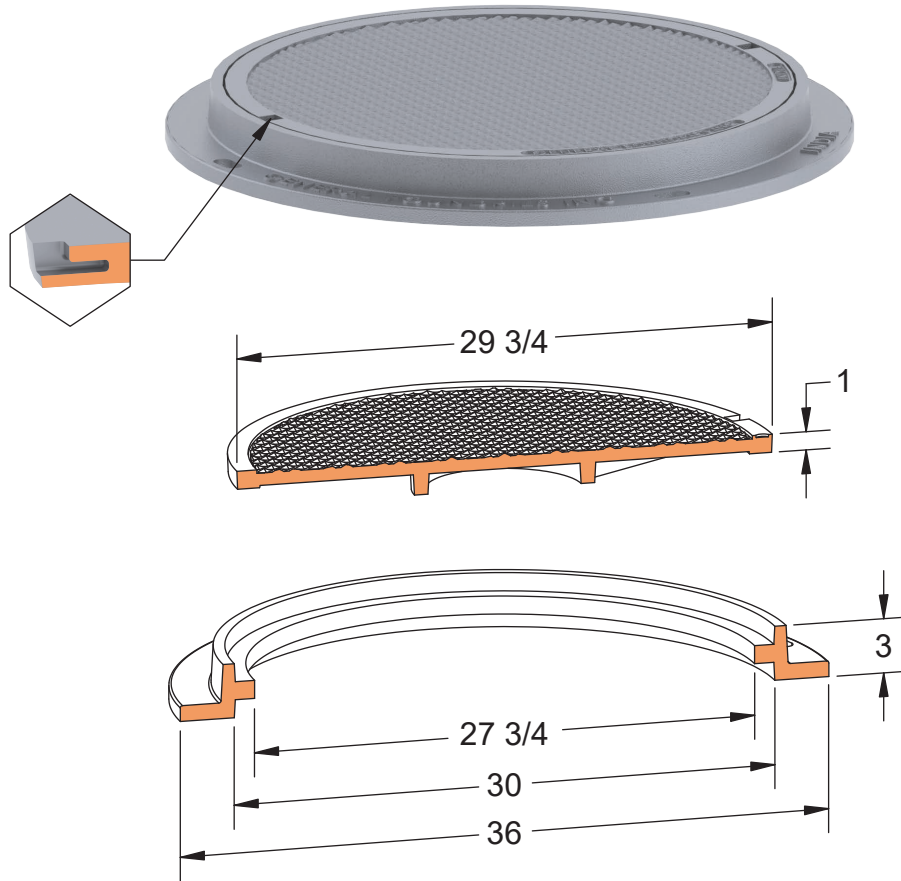
Gasket



Watertight

**PRODUCT #13031**

30" x 3" Frame & Cover



**Available Markings**  
Plain



Light  
Duty



ASTM  
A48



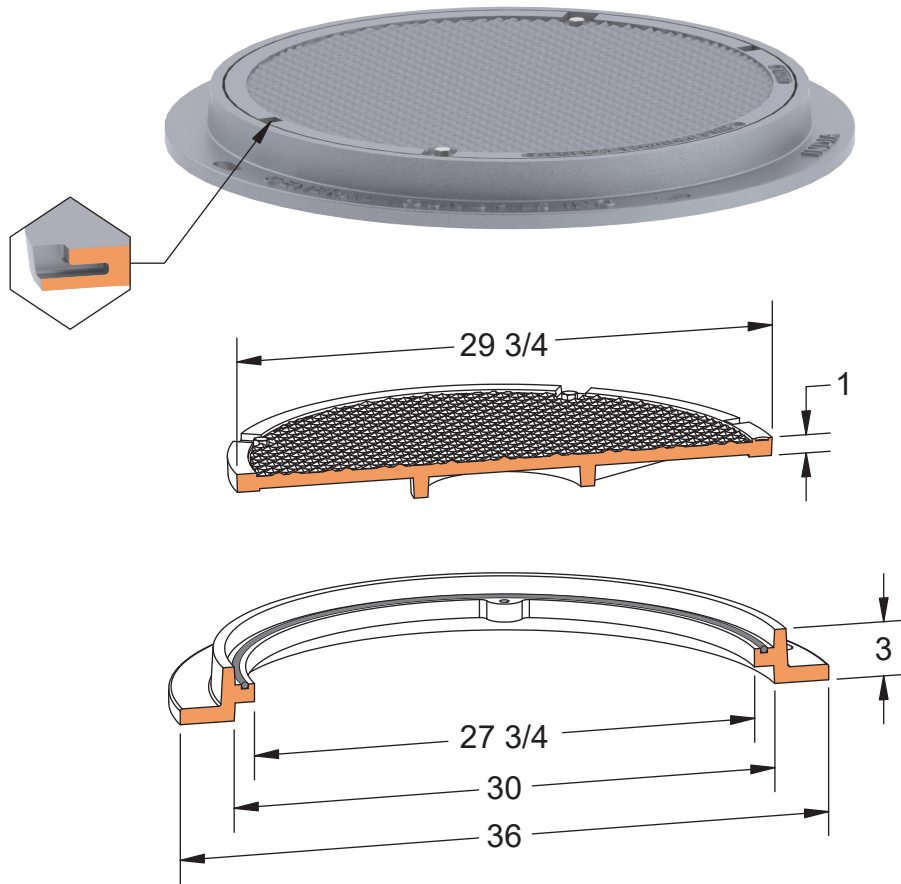
Gray Iron  
Class 35B



Reversible

**PRODUCT #13031-WT**

30" x 3" Watertight Frame & Cover



**Available Markings**  
Plain



Light  
Duty



ASTM  
A48



Gray Iron  
Class 35B



Bolted



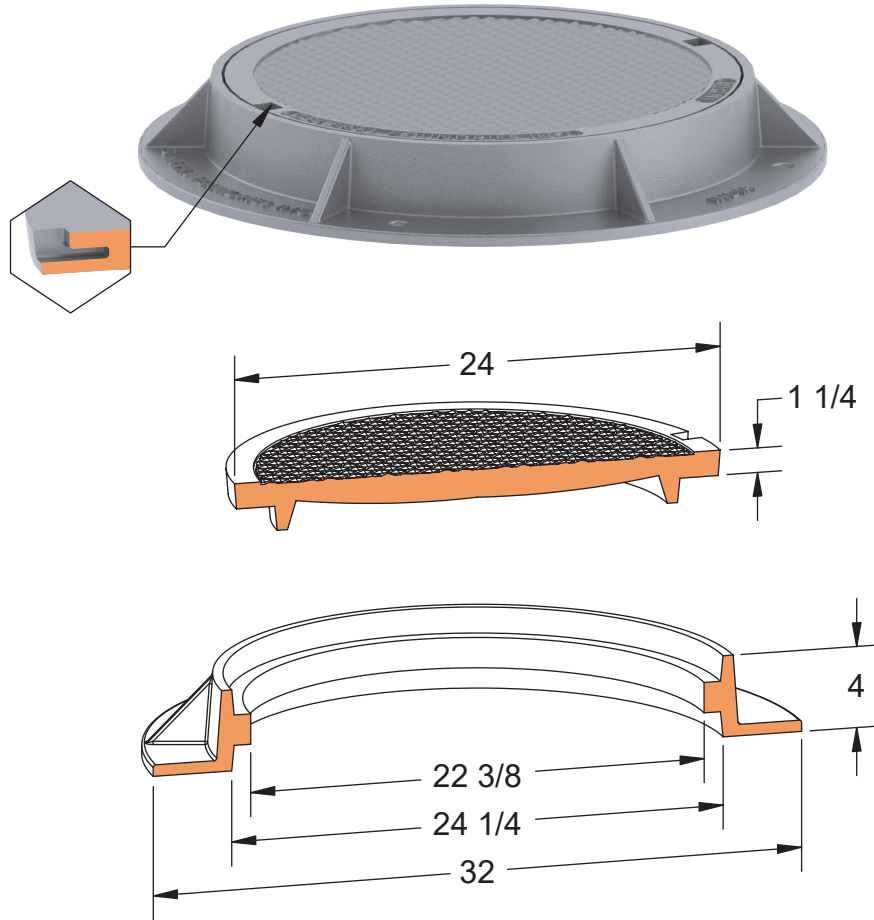
Gasket



Watertight

**PRODUCT #12441**

24" x 4" Frame & Cover



**Available Markings**

Communication

Drain

Electric

Gas

Plain

Sewer

Storm

Telephone

Water



Heavy Duty



AASHTO M306



ASTM A48



Gray Iron Class 35B



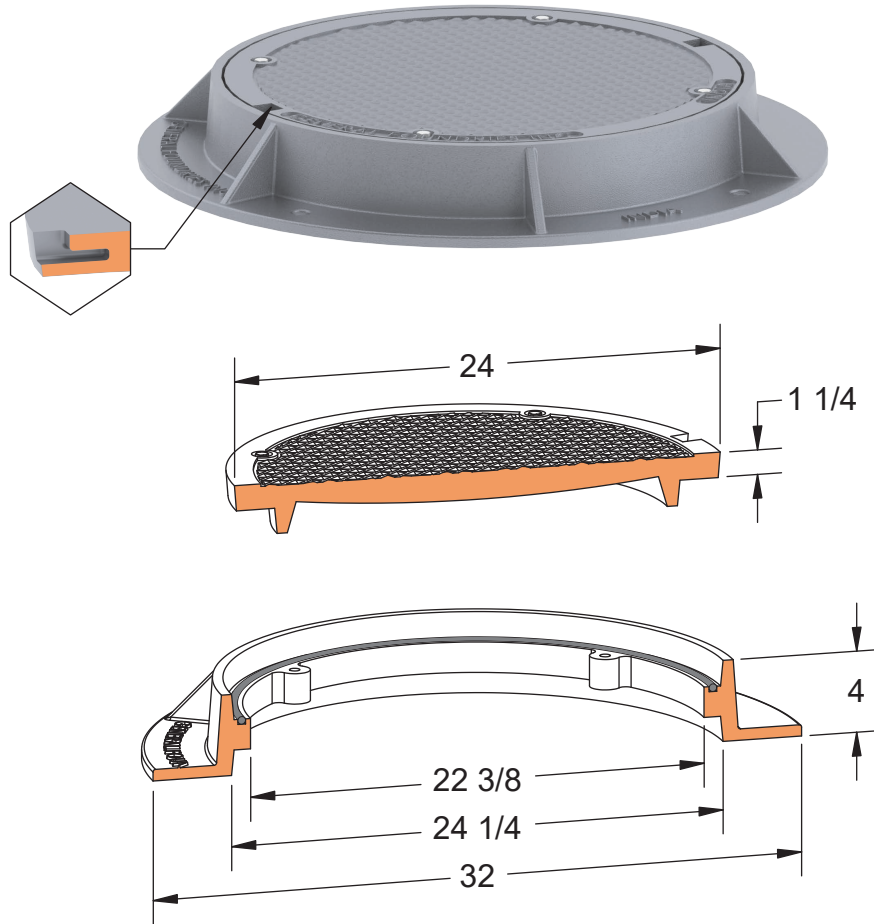
Grates Available



Risers Available

**PRODUCT #12441-WT**

24" x 4" Watertight Frame & Cover



**Available Markings**

- Drain
- Electric
- Plain
- Sewer



Heavy Duty



AASHTO M306



ASTM A48



Gray Iron Class 35B



Bolted



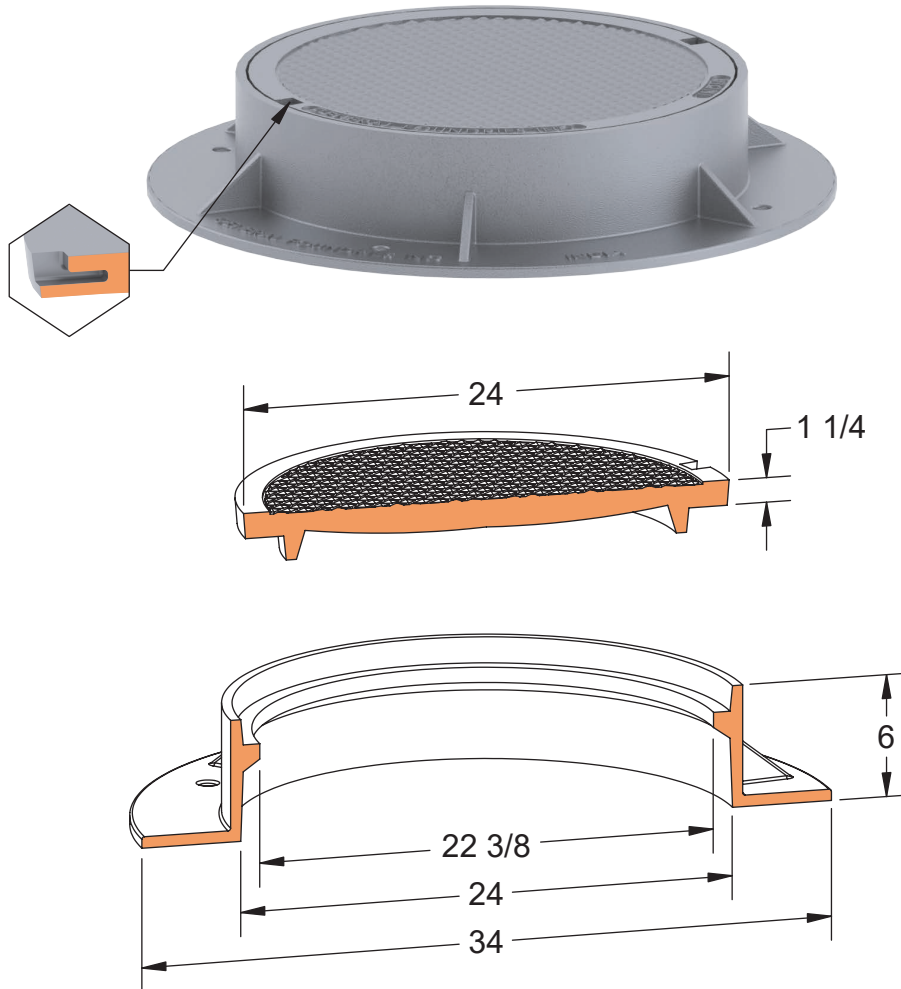
Gasket



Watertight

**PRODUCT #12461**

24" x 6" Frame & Cover



**Available Markings**

- Communication
- Drain
- Electric
- Gas
- Plain
- Sewer
- Storm
- Telephone
- Water



Heavy Duty



AASHTO M306



ASTM A48



Gray Iron Class 35B



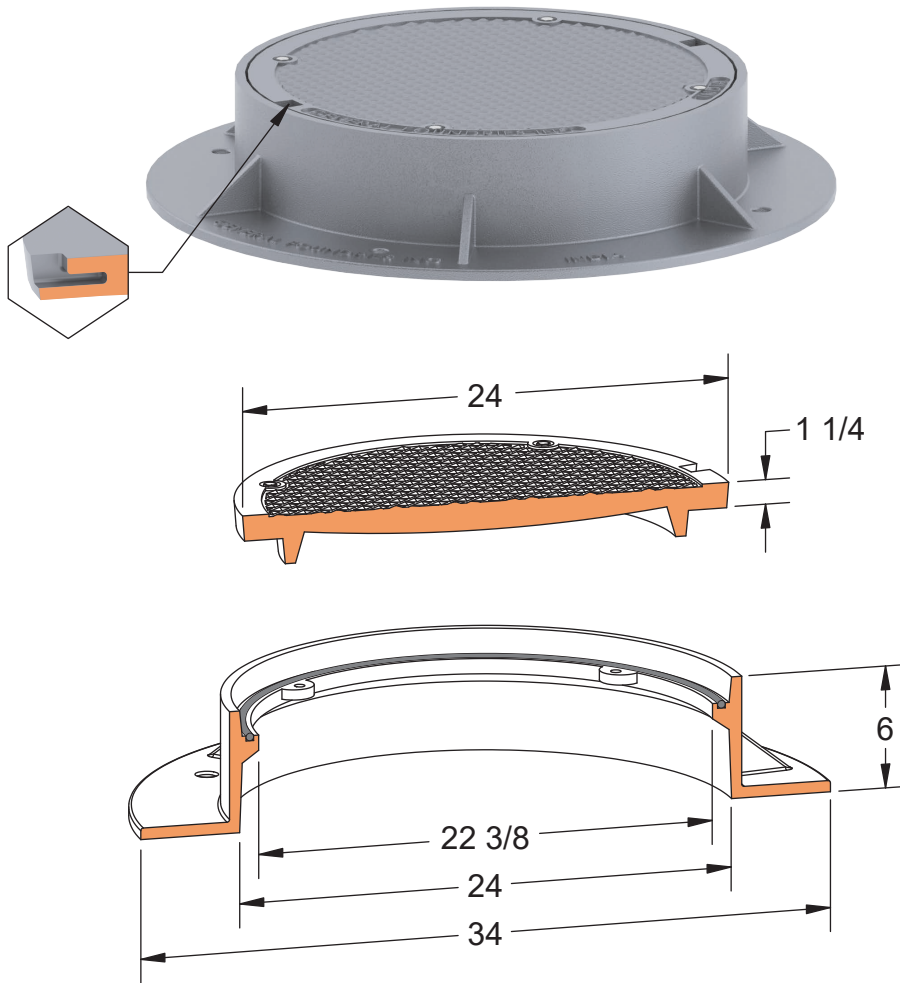
Grates Available



Risers Available

**PRODUCT #12461-WT**

24" x 6" Watertight Frame & Cover



**Available Markings**

- Drain
- Gas
- Plain
- Sewer



Heavy Duty



AASHTO M306



ASTM A48



Gray Iron Class 35B



Bolted



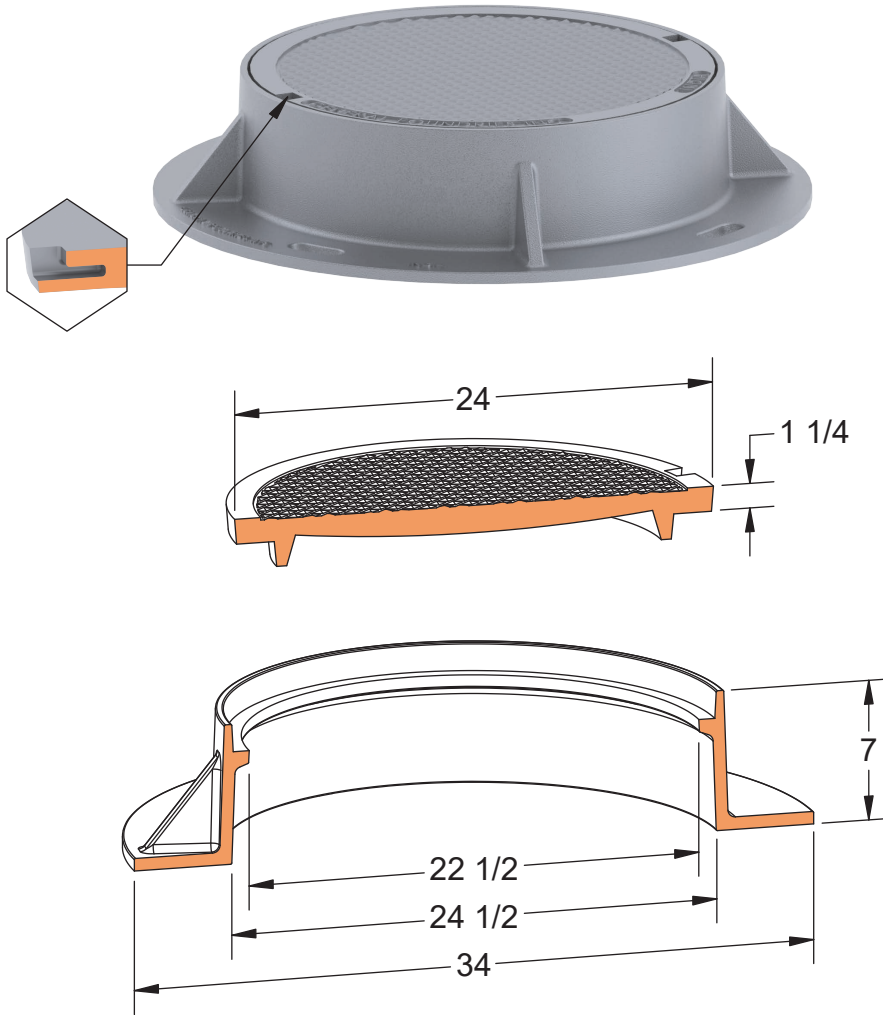
Gasket



Watertight

**PRODUCT #12471**

24" x 7" Frame & Cover



**Available Markings**

- Drain
- Plain
- Sewer
- Storm



Heavy Duty



AASHTO M306



ASTM A48



Gray Iron Class 35B



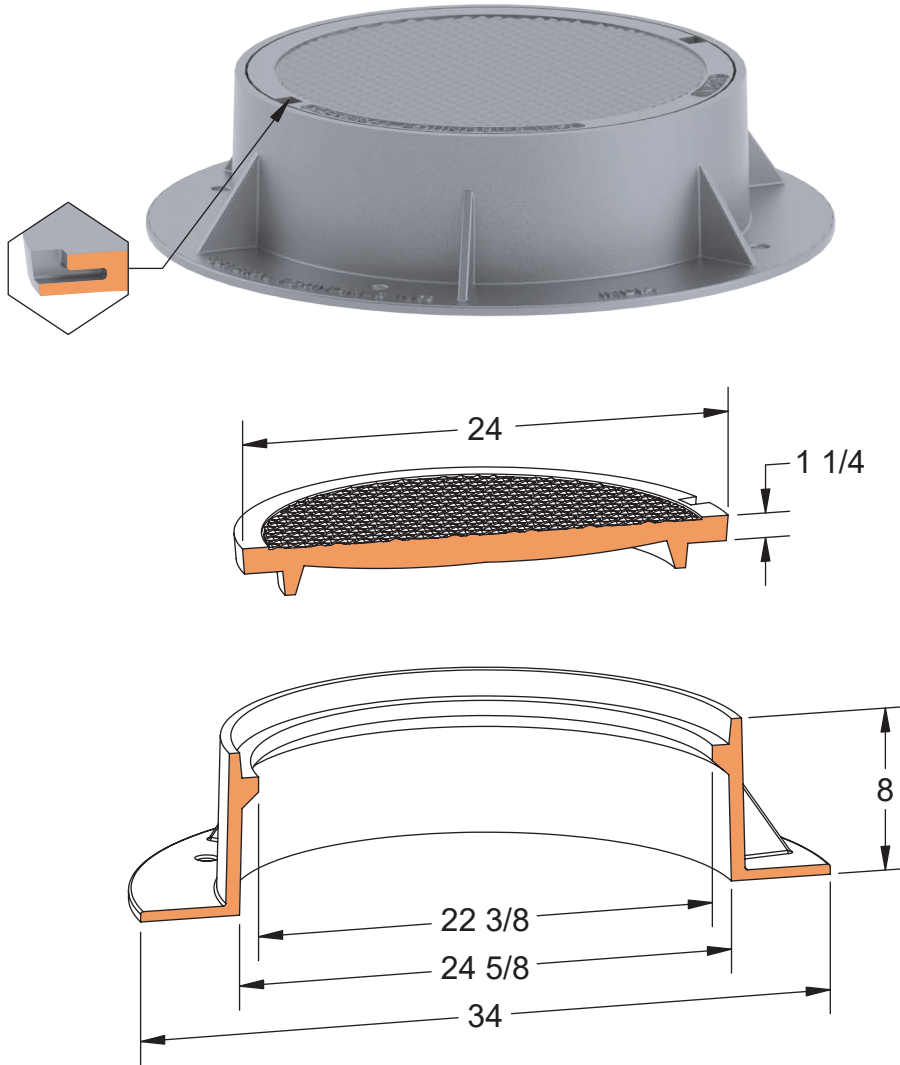
Grates Available



Risers Available

**PRODUCT #12481**

24" x 8" Frame & Cover



**Available Markings**

- Communication
- Drain
- Electric
- Gas
- Plain
- Sewer
- Storm
- Telephone
- Water



Heavy Duty



AASHTO M306



ASTM A48



Gray Iron Class 35B



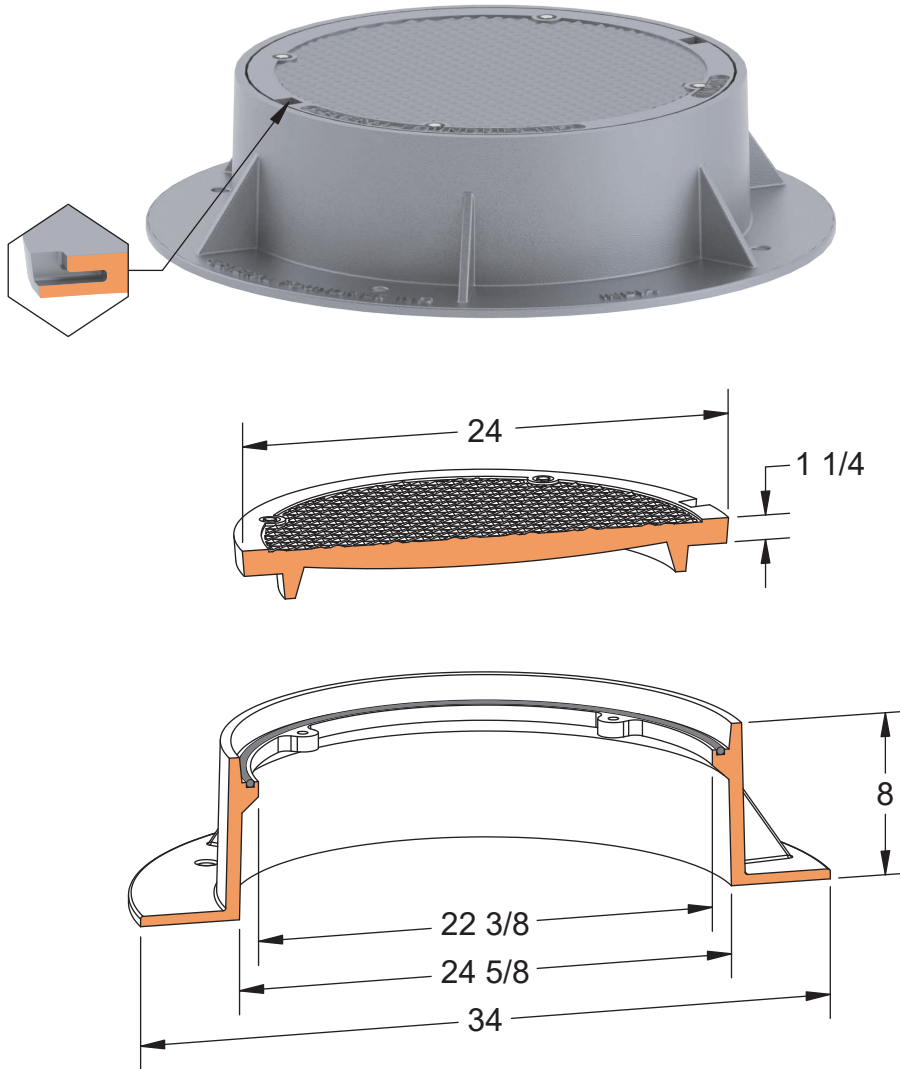
Grates Available



Risers Available

**PRODUCT #12481-WT**

24" x 8" Watertight Frame & Cover



**Available Markings**

Plain  
Sewer



Heavy Duty



AASHTO M306



ASTM A48



Gray Iron Class 35B



Bolted



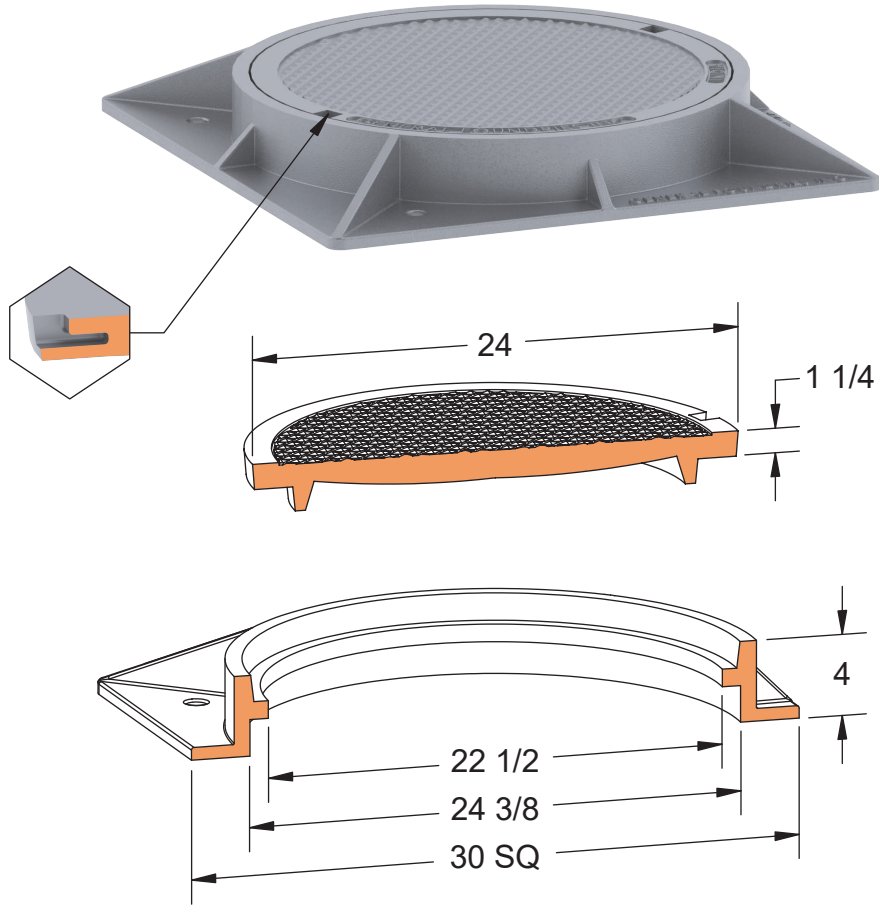
Gasket



Watertight

**PRODUCT #12443**

24" x 4" Square Flange Frame & Cover



**Available Markings**

- Communication
- Drain
- Electric
- Gas
- Plain
- Sewer
- Storm
- Telephone
- Water



Heavy Duty



AASHTO M306



ASTM A48



Gray Iron Class 35B



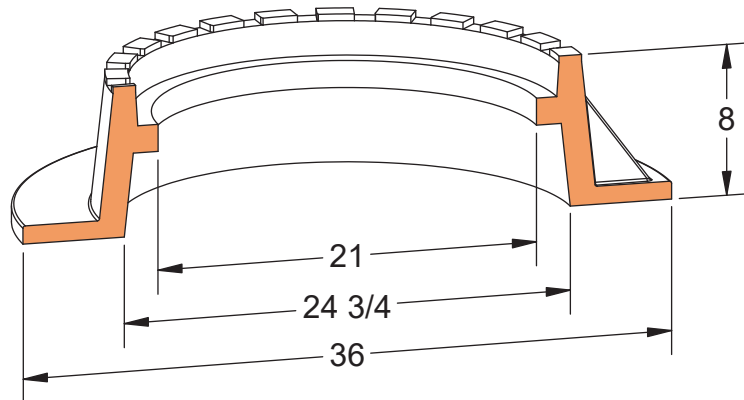
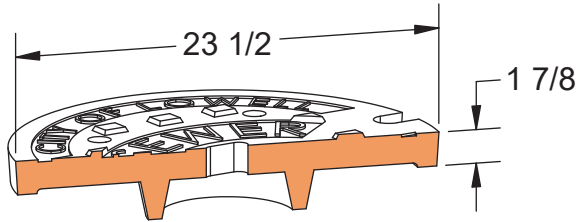
Grates Available



Risers Available

**PRODUCT #12385**

Lowell Frame & Cover



**Available Markings**

- Drain
- Sewer



Heavy Duty



AASHTO M306



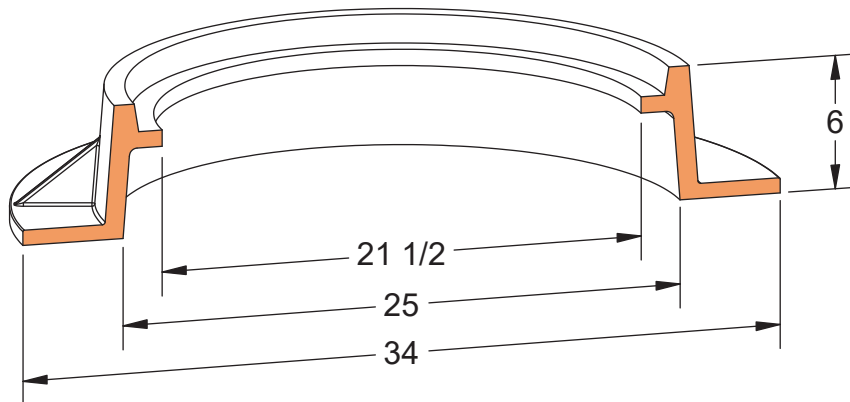
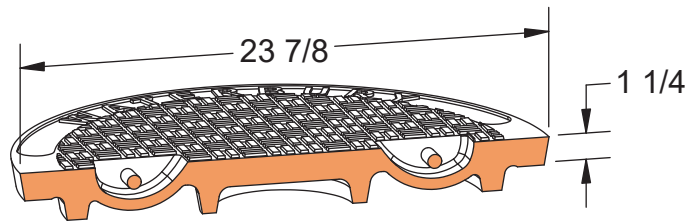
ASTM A48



Gray Iron Class 35B

**PRODUCT #12467**

6" Waterbury Frame & Cover



**Available Markings**  
Waterbury Sanitary Sewer



Heavy Duty



AASHTO M306



ASTM A48



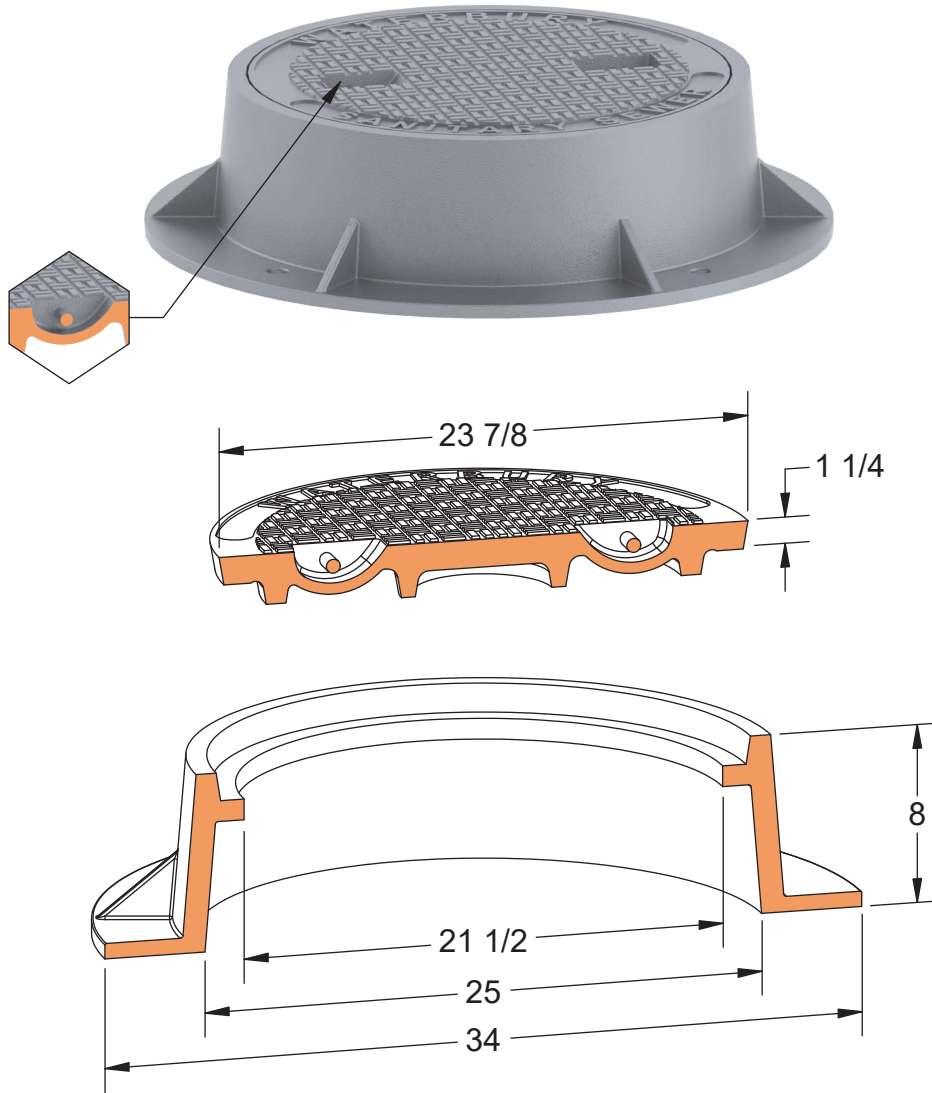
Gray Iron Class 35B



Risers Available

**PRODUCT #12487**

8" Waterbury Frame & Cover



**Available Markings**  
Waterbury Sanitary Sewer



Heavy Duty



AASHTO M306



ASTM A48



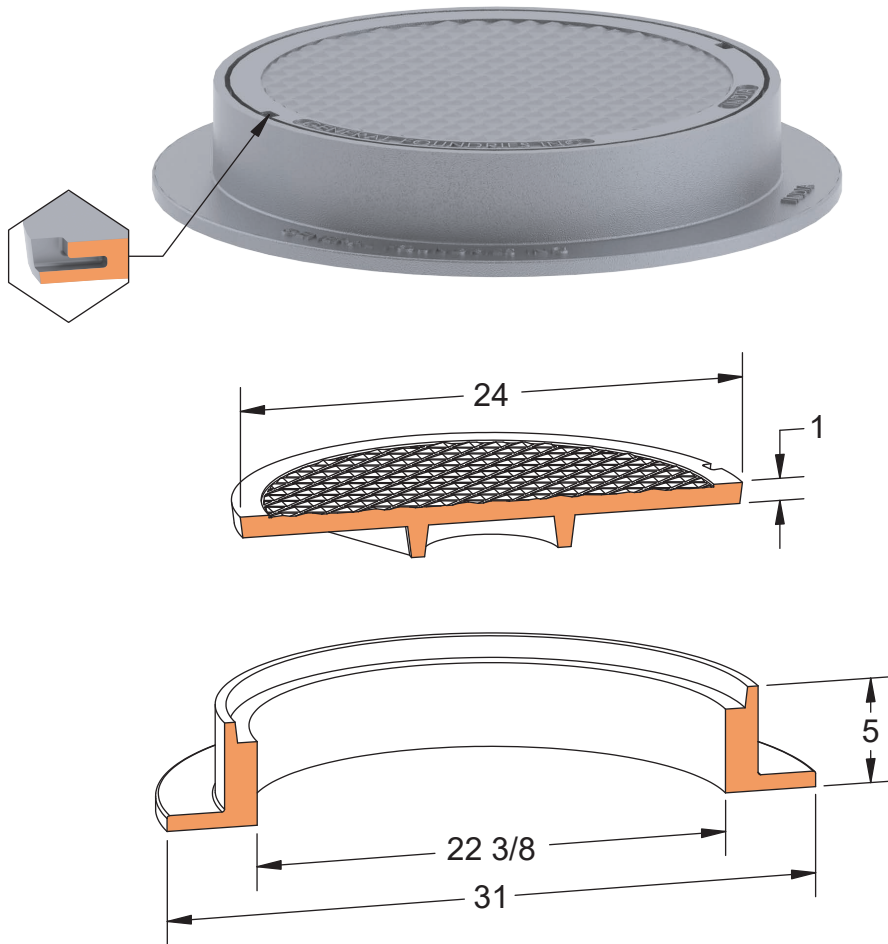
Gray Iron Class 35B



Risers Available

**PRODUCT #12451**

Portland Frame & Cover



**Available Markings**

Drain  
Sewer



Heavy  
Duty



AASHTO  
M306



ASTM  
A48



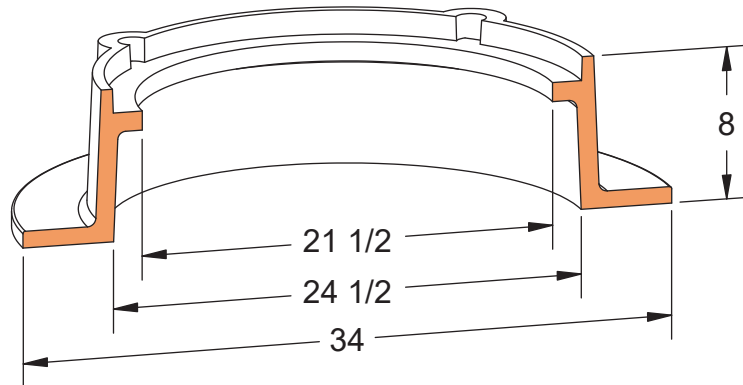
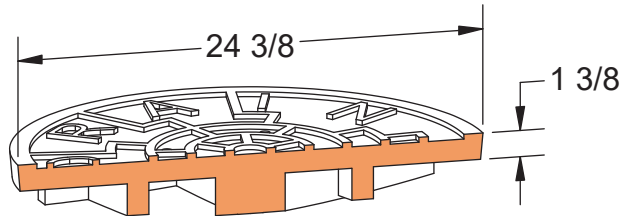
Gray Iron  
Class 35B



Grates  
Available

**PRODUCT #12485**

Newton Frame & Cover



**Available Markings**

- Drain
- Electric
- Plain
- Sewer
- Water



Heavy Duty



AASHTO M306



ASTM A48



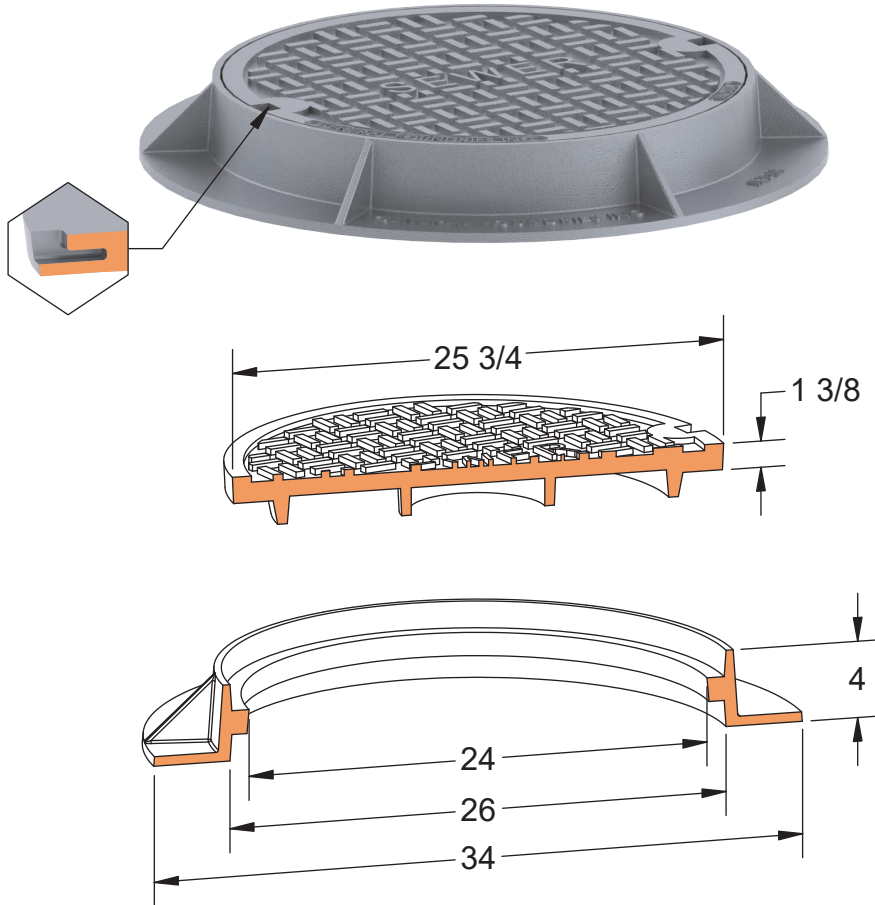
Gray Iron Class 35B



Risers Available

**PRODUCT #12641**

25-3/4" x 4" Frame & Cover



**Available Markings**

- Plain
- Sanitary Sewer
- Sewer
- Storm



Heavy Duty



AASHTO M306



ASTM A48



Gray Iron Class 35B



Grates Available



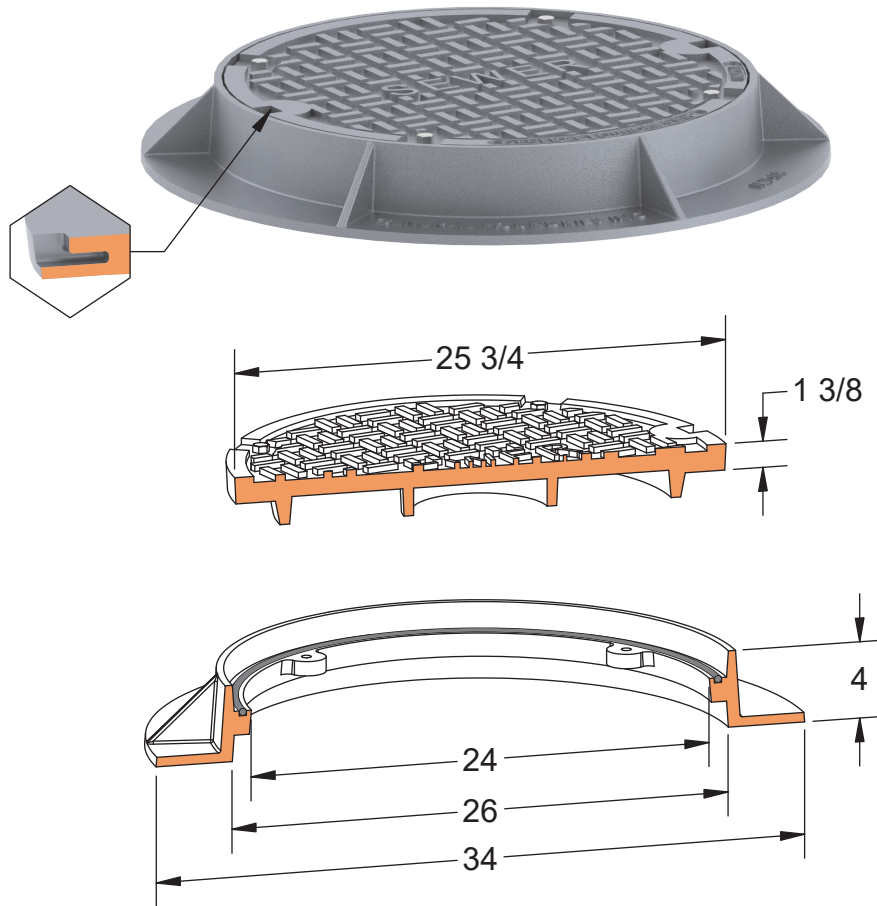
Risings Available



Reversible

**PRODUCT #12641-WT**

25-3/4" x 4" Watertight Frame & Cover



**Available Markings**

Plain  
Sewer



Heavy  
Duty



AASHTO  
M306



ASTM  
A48



Gray Iron  
Class 35B



Bolted

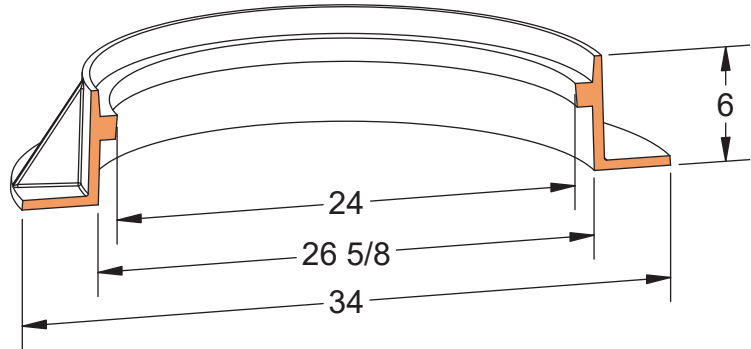
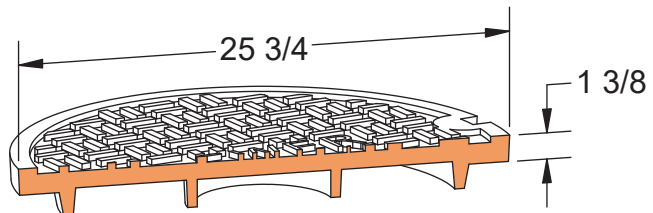


Gasket



Watertight

**PRODUCT #12661**  
25-3/4" x 6" Frame & Cover



**Available Markings**

- Plain
- Sanitary Sewer
- Sewer
- Storm



Heavy Duty



AASHTO M306



ASTM A48



Gray Iron Class 35B

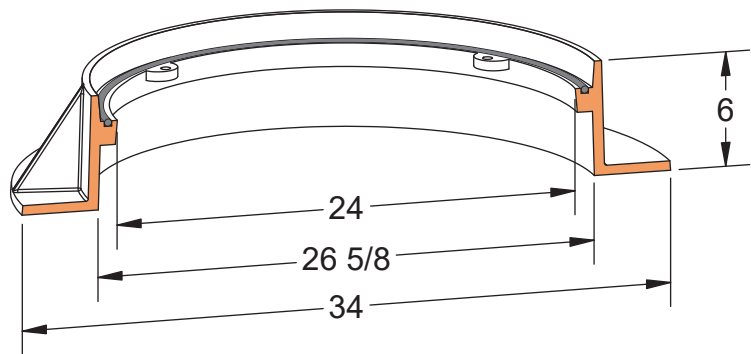
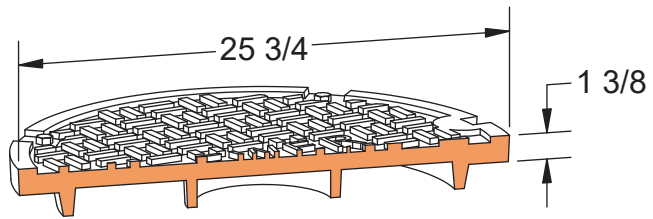


Grates Available



Risers Available

**PRODUCT #12661-WT**  
25-3/4" x 6" Watertight Frame & Cover



**Available Markings**

Plain  
Sewer



Heavy Duty



AASHTO M306



ASTM A48



Gray Iron Class 35B



Bolted



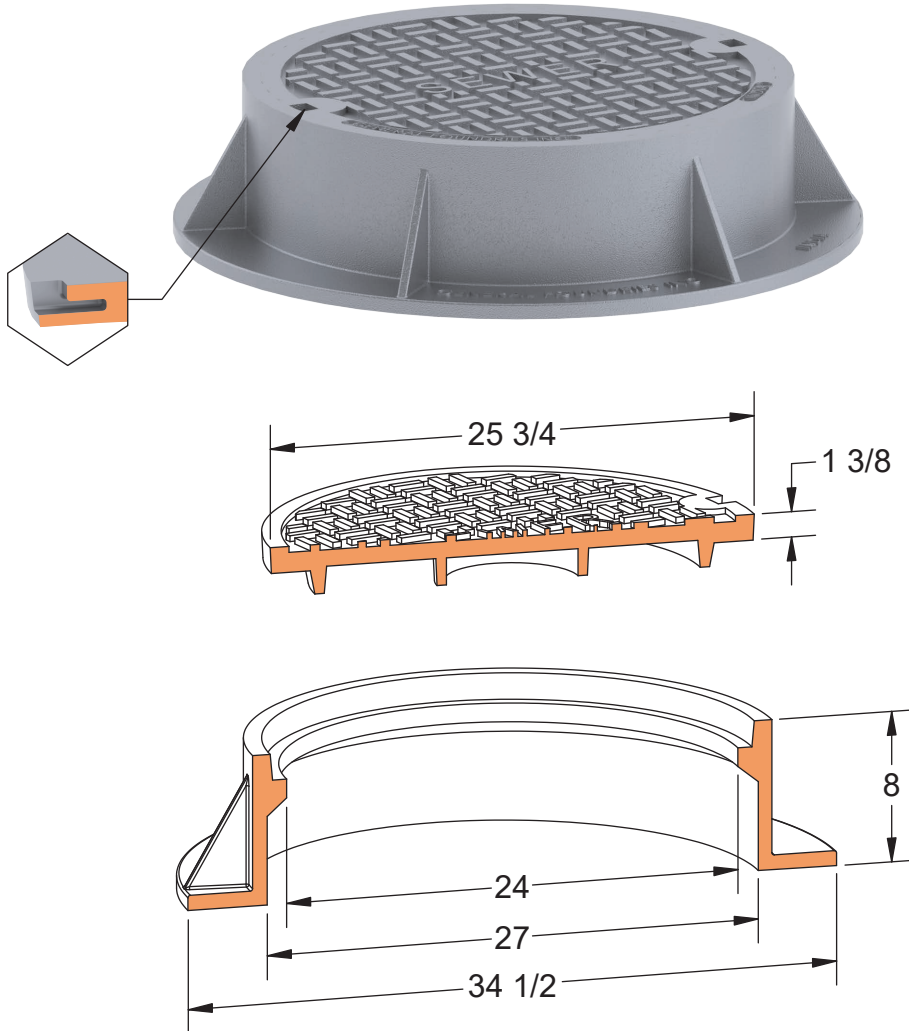
Gasket



Watertight

**PRODUCT #12681**

25-3/4" x 8" Frame & Cover



**Available Markings**

- Plain
- Sanitary Sewer
- Sewer
- Storm



Heavy Duty



AASHTO M306



ASTM A48



Gray Iron Class 35B

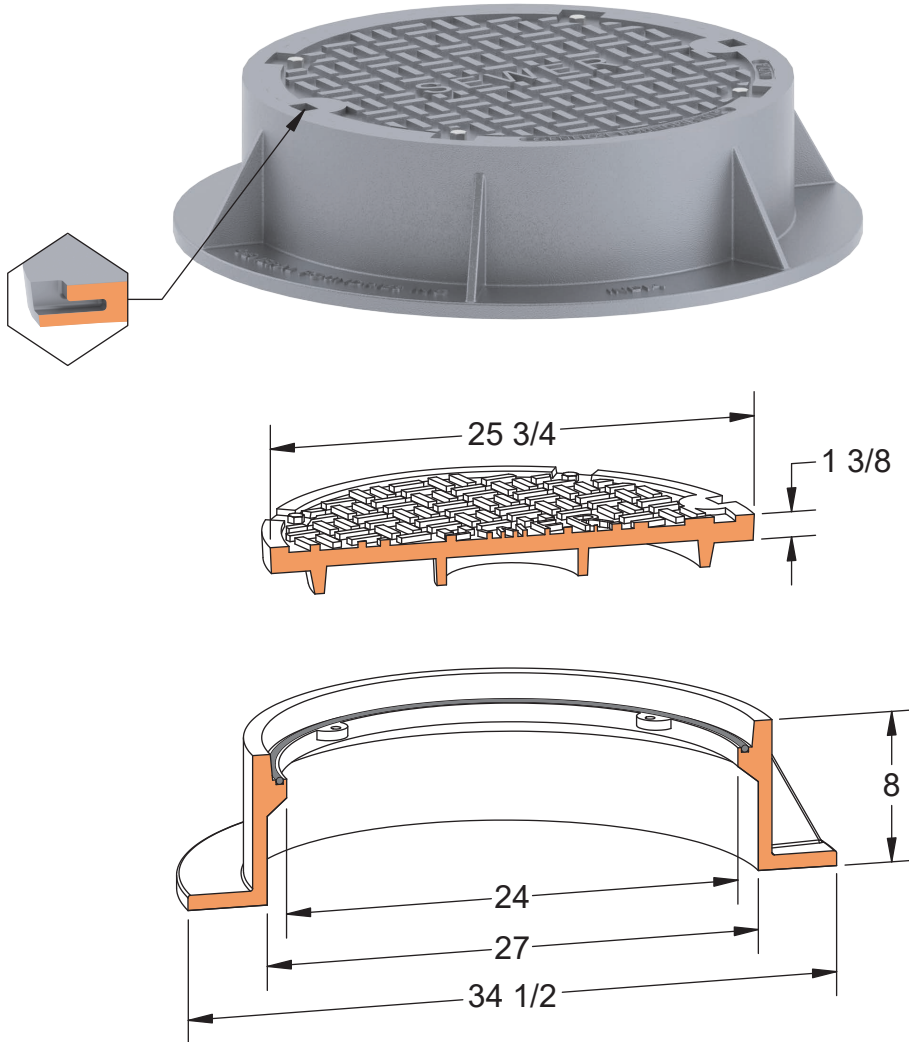


Grates Available



Risers Available

**PRODUCT #12681-WT**  
25-3/4" x 8" Watertight Frame & Cover



**Available Markings**

- Plain
- Sanitary Sewer
- Sewer
- Storm
- Storm Sewer



Heavy Duty



AASHTO M306



ASTM A48



Gray Iron Class 35B



Bolted



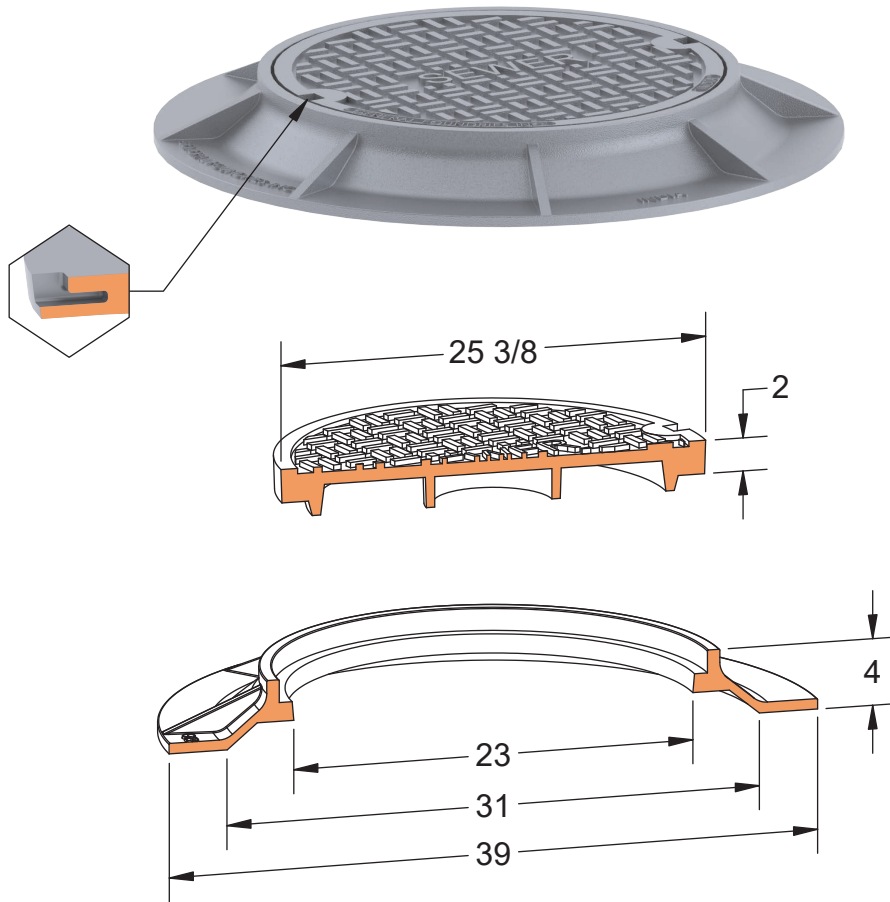
Gasket



Watertight

**PRODUCT #12543**

25-3/8" x 4" Frame & Cover



**Available Markings**

- Plain
- Sanitary Sewer
- Sanitary
- Storm Sewer
- Sewer
- Storm



Heavy Duty



AASHTO M306



ASTM A48



Gray Iron Class 35B



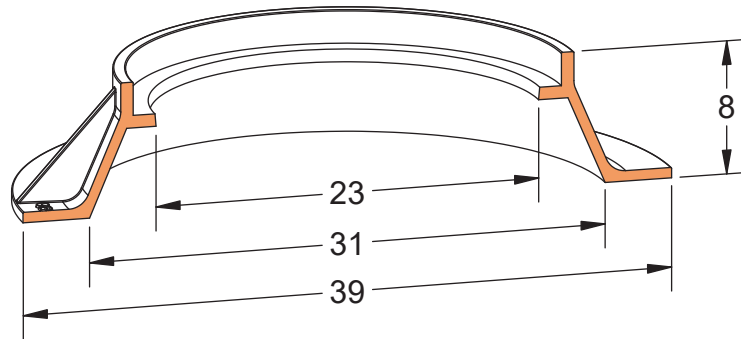
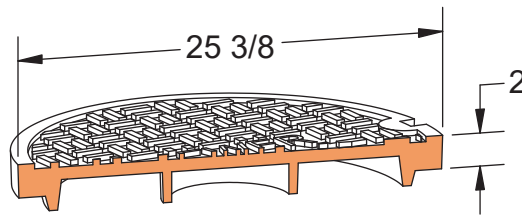
Grates Available



Risers Available

**PRODUCT #12583**

25-3/8" x 8" Frame & Cover



**Available Markings**

- Plain
- Sanitary Sewer
- Sanitary
- Storm Sewer
- Sewer
- Storm



Heavy Duty



AASHTO M306



ASTM A48



Gray Iron Class 35B



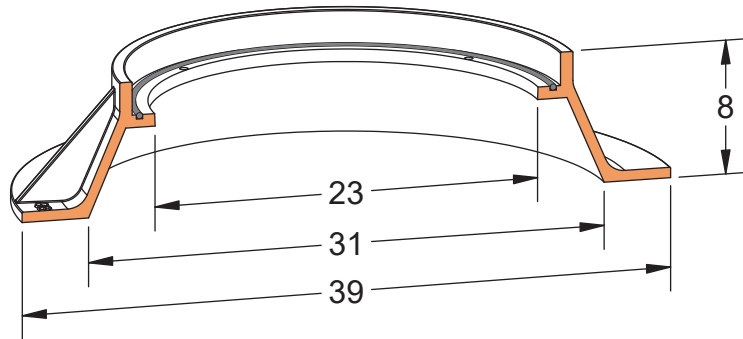
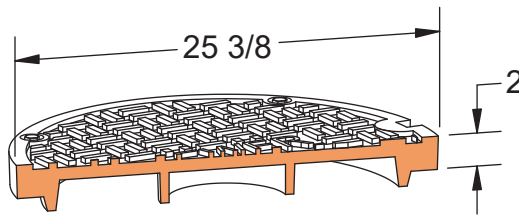
Grates Available



Risings Available

**PRODUCT #12583-WT**

25-3/8" x 8" Watertight Frame & Cover



**Available Markings**

- Plain
- Sanitary Sewer
- Sanitary
- Storm Sewer
- Sewer
- Storm



Heavy Duty



AASHTO M306



ASTM A48



Gray Iron Class 35B



Bolted



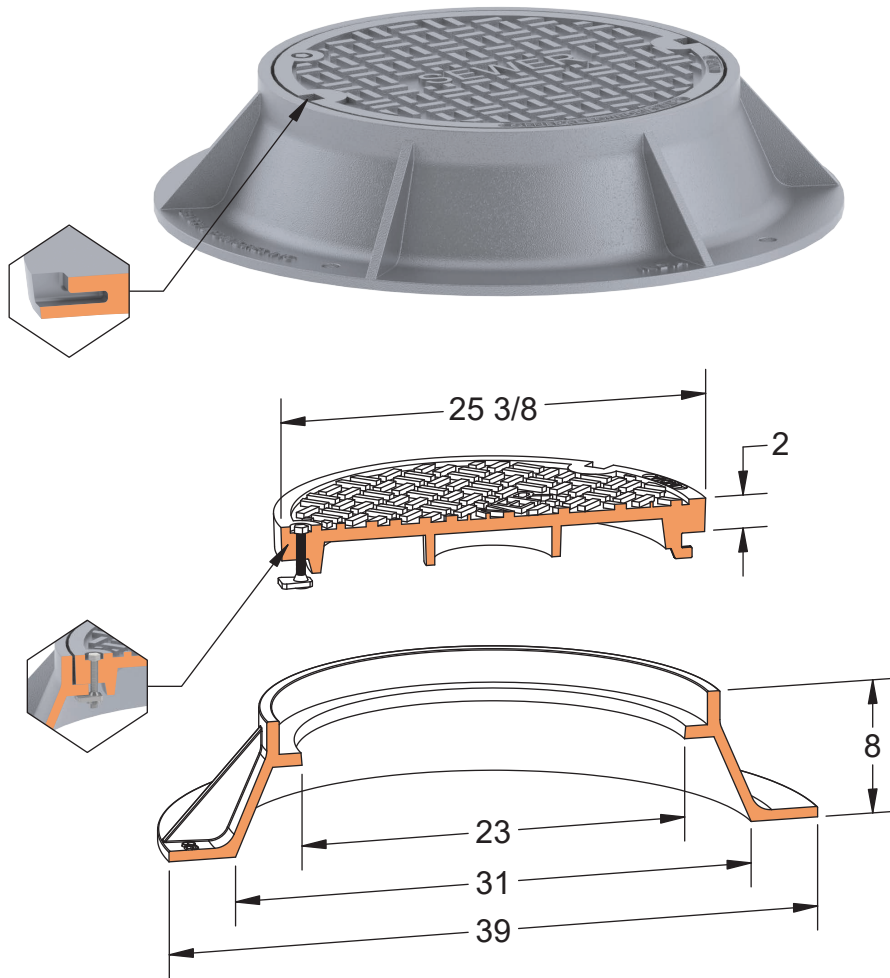
Gasket



Watertight

**PRODUCT #12583-LOC**

25-3/8" x 8" CamLock Frame & Cover



**Available Markings**

- Plain
- Sanitary Sewer
- Sanitary
- Storm Sewer
- Sewer
- Storm



Heavy Duty



AASHTO M306



ASTM A48



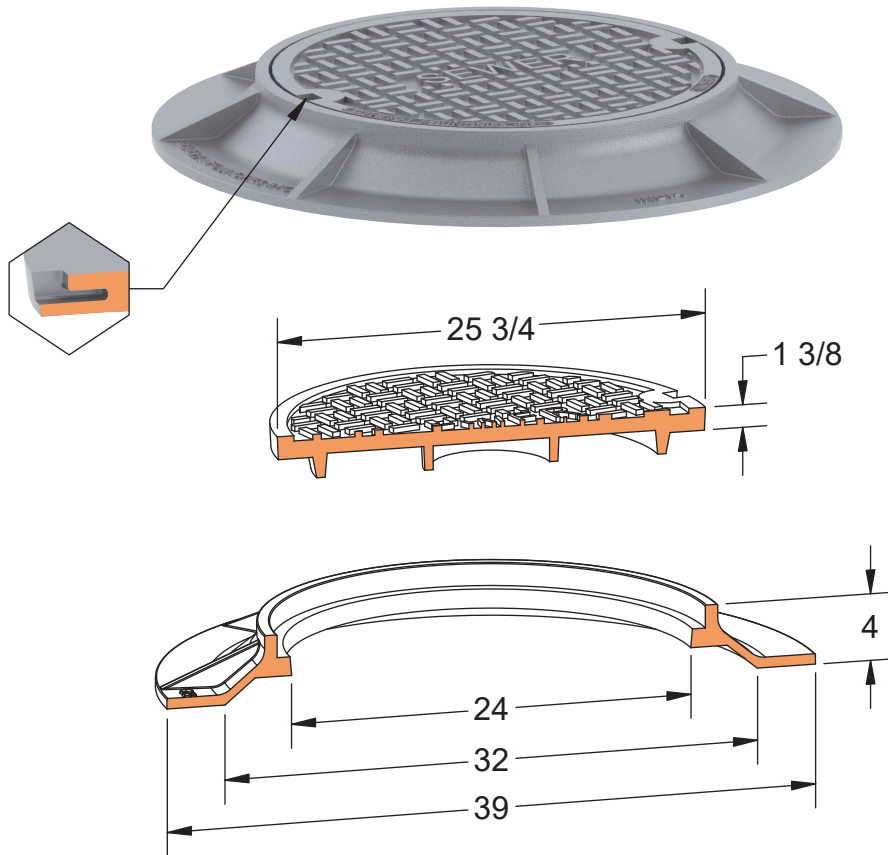
Gray Iron Class 35B



Bolted

**PRODUCT #12643**

25-3/4" x 4" Frame & Cover



**Available Markings**

- Drain
- Plain
- Sanitary Sewer
- Sewer
- Storm
- Storm Sewer

**Options**

Gasketed Cover  
(12643-GSK)



Heavy Duty



AASHTO M306



ASTM A48



Gray Iron Class 35B



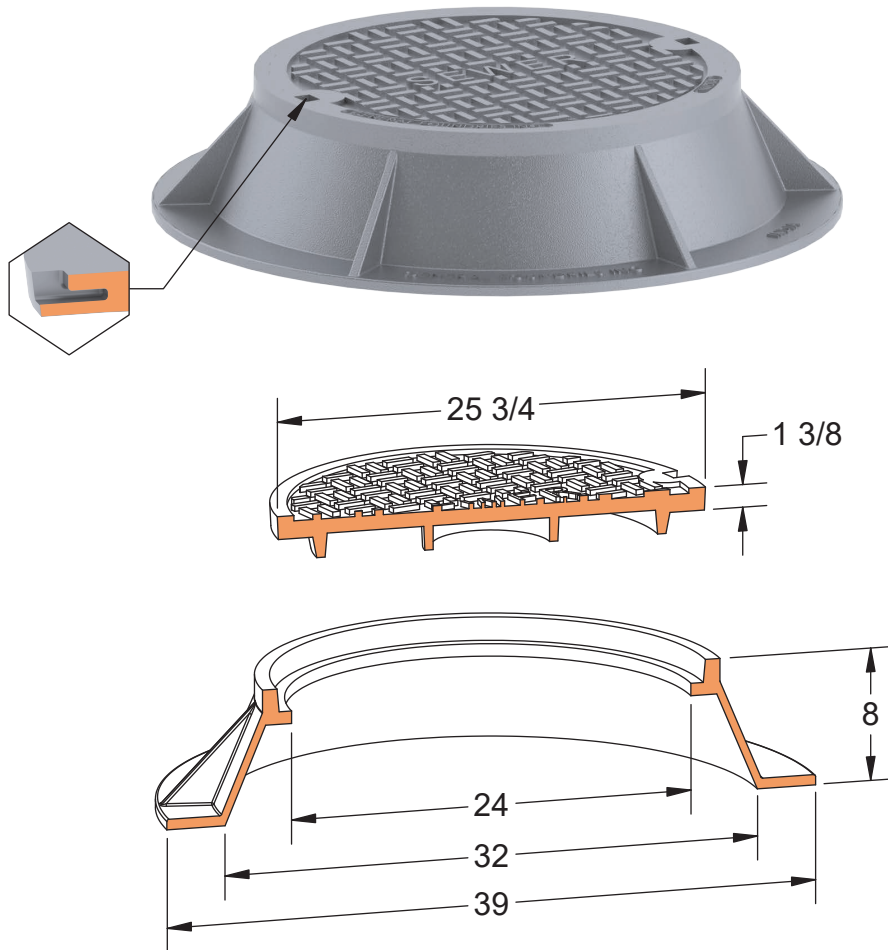
Grates Available



Risers Available

**PRODUCT #12683**

25-3/4" x 8" Frame & Cover



**Available Markings**

- Drain
- Plain
- Sanitary Sewer
- Sewer
- Storm
- Storm Sewer

**Options**

Gasketed Cover  
(12683-GSK)



Heavy Duty



AASHTO M306



ASTM A48



Gray Iron Class 35B



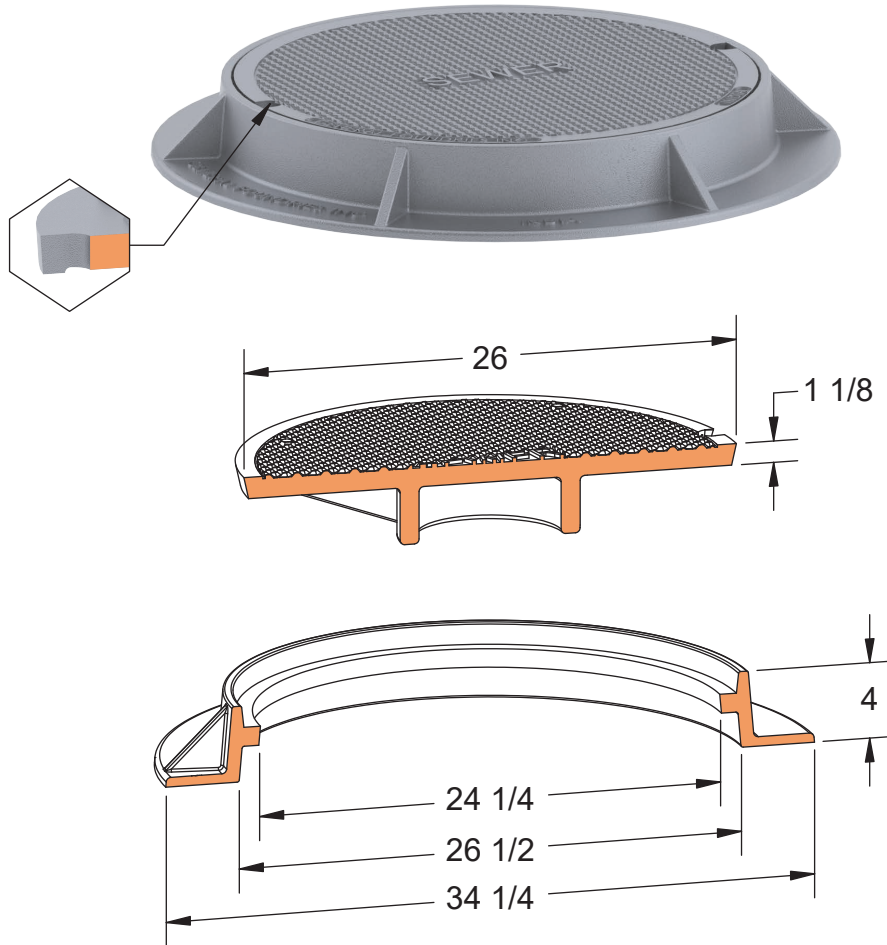
Grates Available



Risers Available

**PRODUCT #12645**

Massachusetts Standard 26" x 4" Frame & Cover



**Available Markings**

- Drain
- Electric
- Plain
- Sewer
- Steam
- Water



Heavy Duty



AASHTO M306



ASTM A48



Gray Iron Class 35B



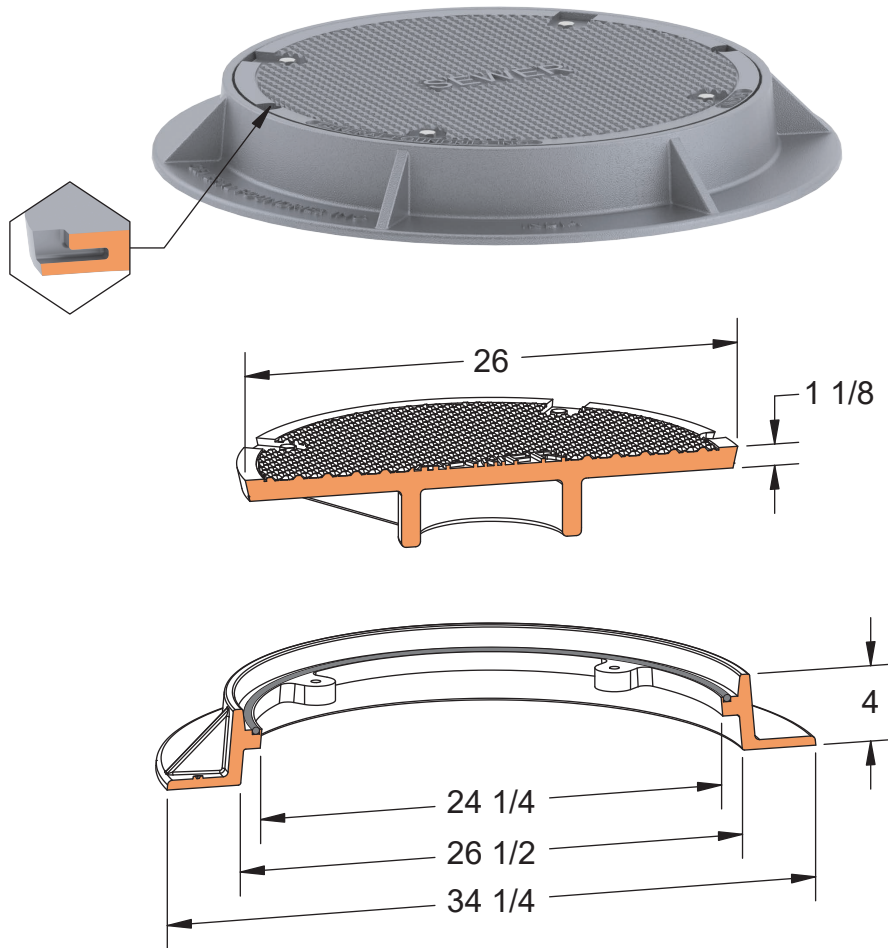
Grates Available



Risers Available

**PRODUCT #12645-WT**

Massachusetts Standard 26" x 4" Watertight Frame & Cover



**Available Markings**

- Drain
- Plain
- Sewer
- Water



Heavy Duty



AASHTO M306



ASTM A48



Gray Iron Class 35B



Bolted



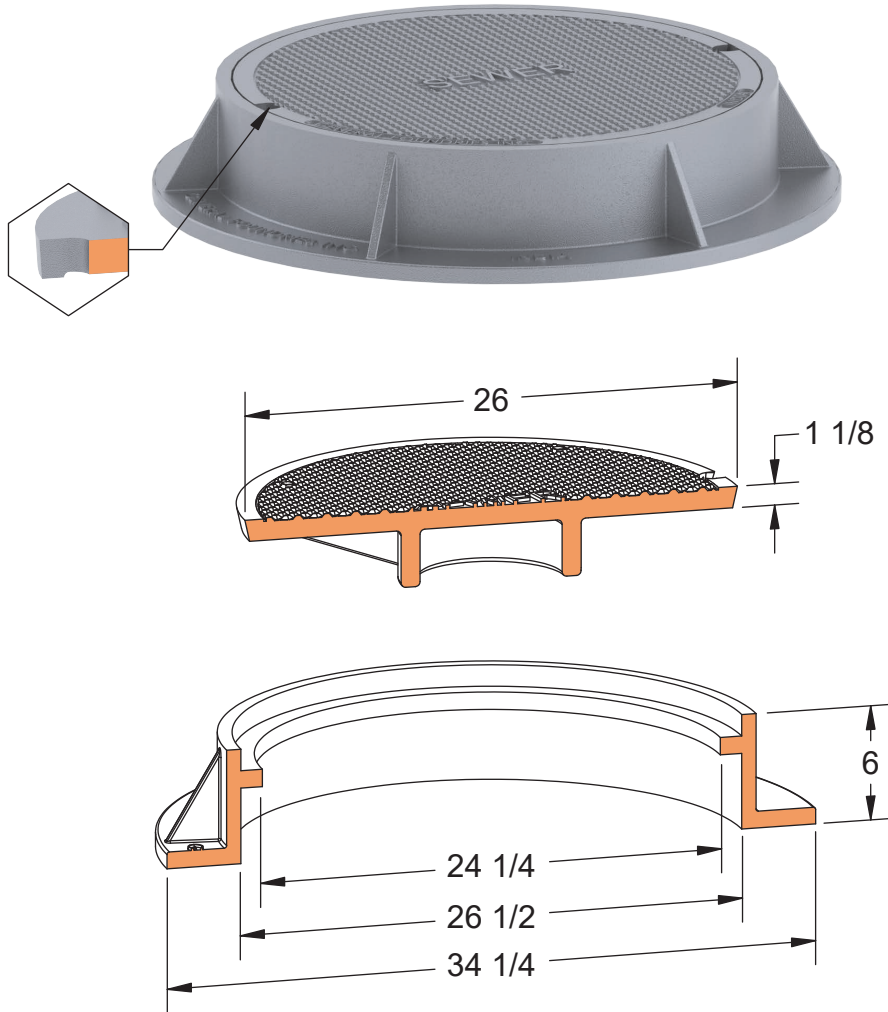
Gasket



Watertight

**PRODUCT #12665**

Massachusetts Standard 26" x 6" Frame & Cover



**Available Markings**

- Drain
- Electric
- Plain
- Sewer
- Steam
- Storm Drain
- Telephone
- Water



Heavy Duty



AASHTO M306



ASTM A48



Gray Iron Class 35B



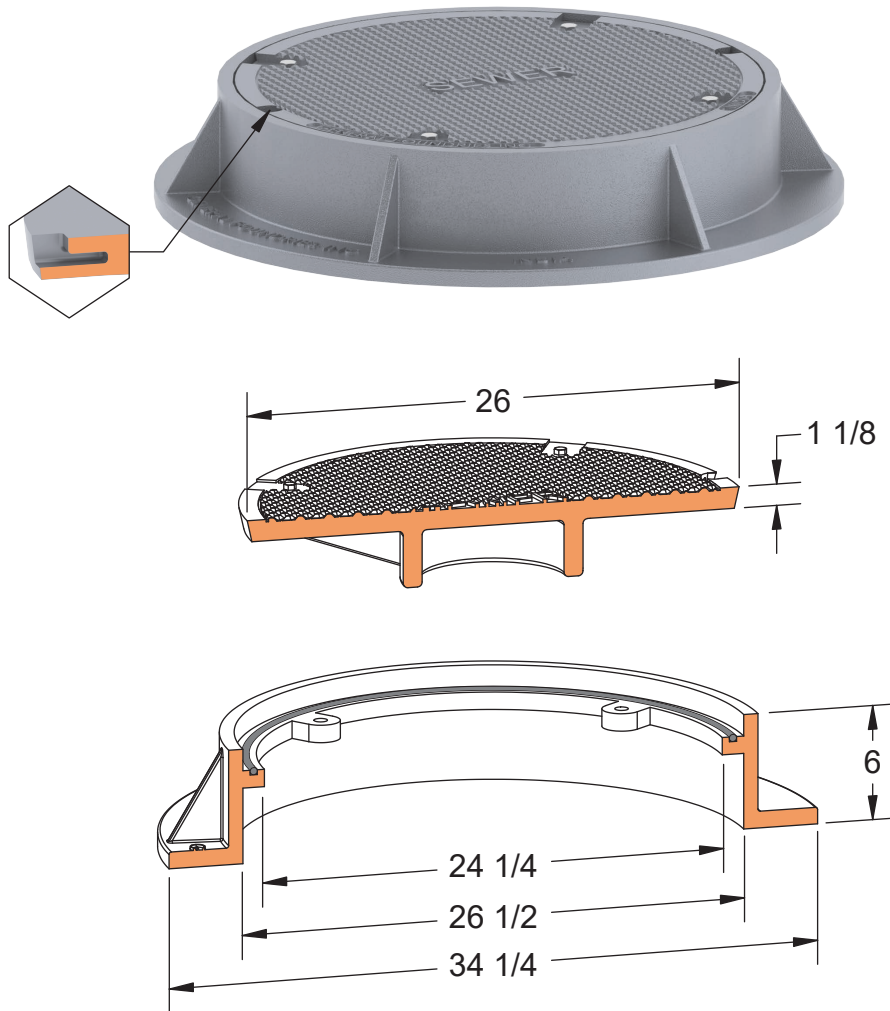
Grates Available



Risers Available

**PRODUCT #12665-WT**

Massachusetts Standard 26" x 6" Watertight Frame & Cover



**Available Markings**

- Drain
- Plain
- Sewer



Heavy Duty



AASHTO M306



ASTM A48



Gray Iron Class 35B



Bolted



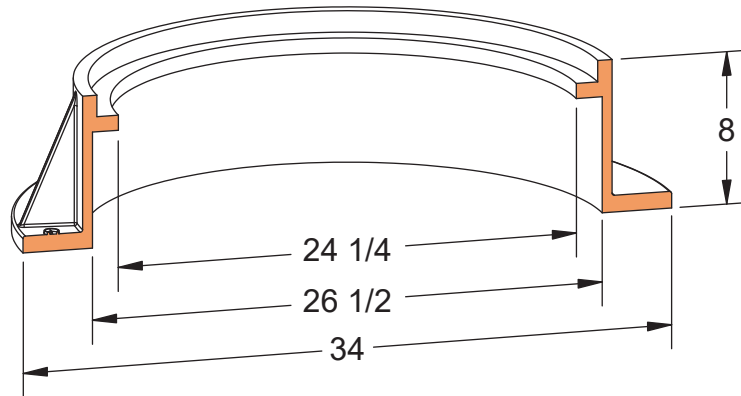
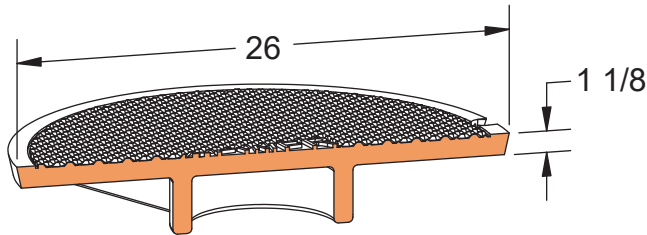
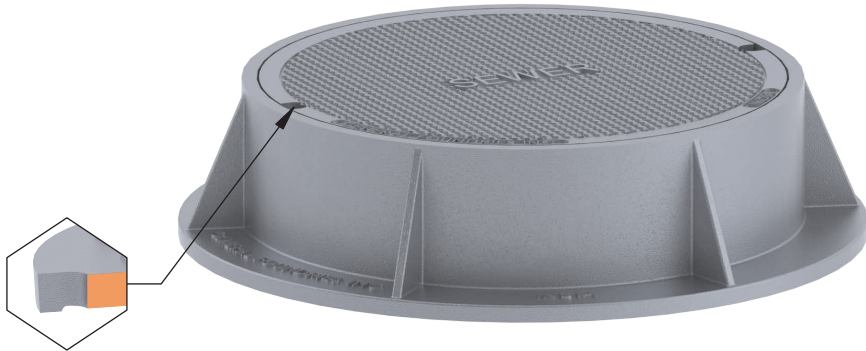
Gasket



Watertight

**PRODUCT #12685**

Massachusetts Standard 26" x 8" Frame & Cover



**Available Markings**

- Drain
- Electric
- Plain
- Sewer
- Steam
- Storm Drain
- Telephone
- Water



Heavy Duty



AASHTO M306



ASTM A48



Gray Iron Class 35B



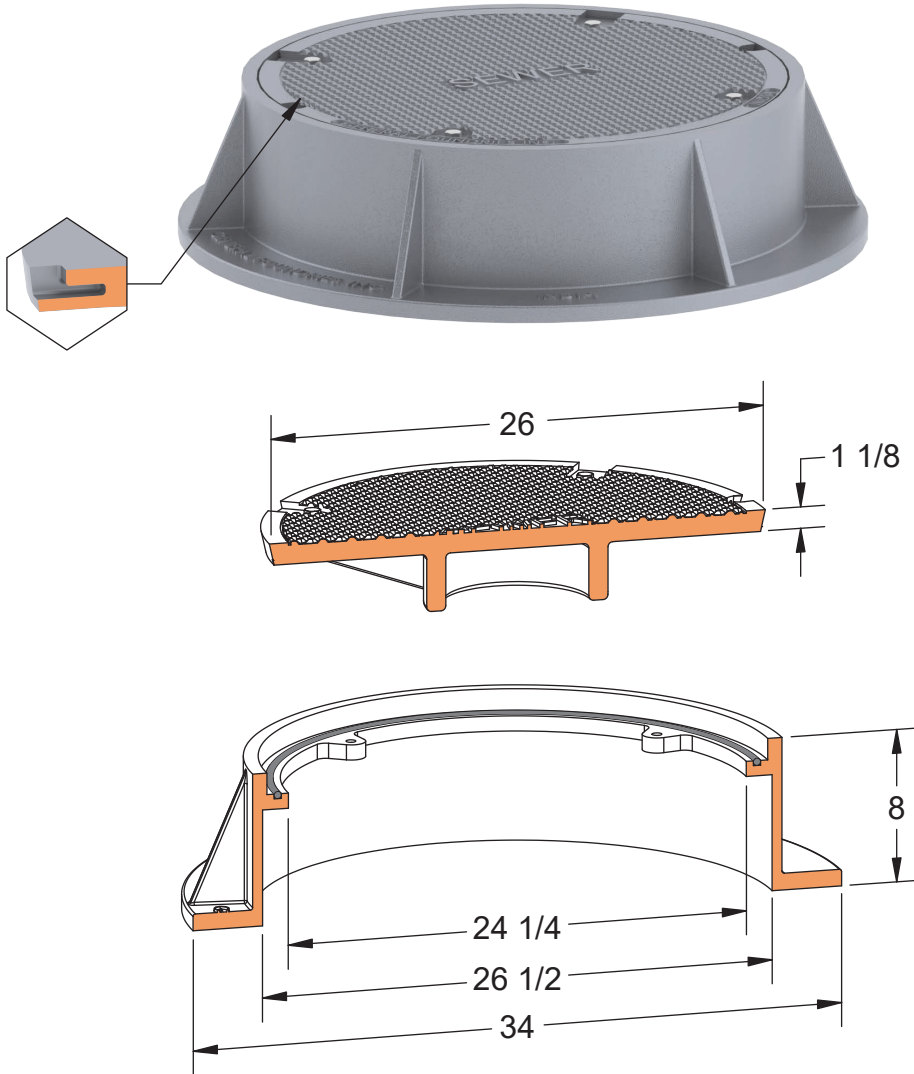
Grates Available



Risings Available

**PRODUCT #12685-WT**

Massachusetts Standard 26" x 8" Watertight Frame & Cover



**Available Markings**

- Drain
- Plain
- Sewer
- Water



Heavy Duty



AASHTO M306



ASTM A48



Gray Iron Class 35B



Bolted

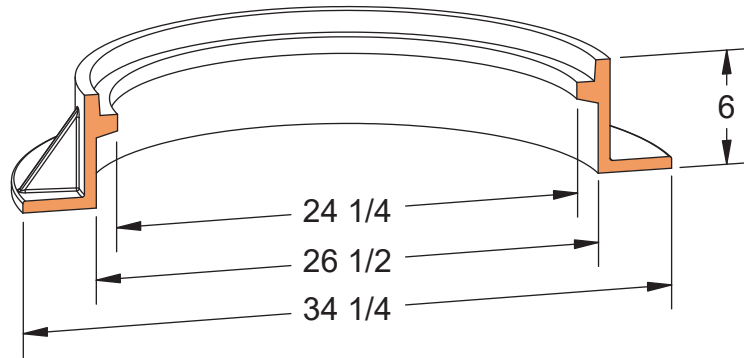
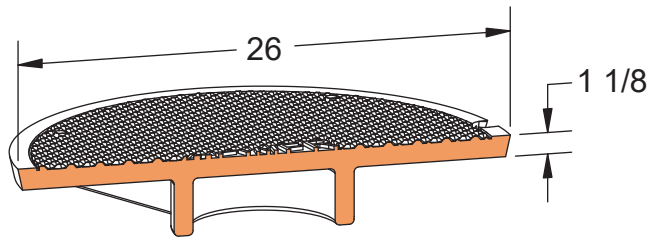


Gasket



Watertight

**PRODUCT #12669**  
Bangor Frame & Cover



**Available Markings**

- Drain
- Sewer
- Storm



Heavy Duty



AASHTO M306



ASTM A48



Gray Iron Class 35B



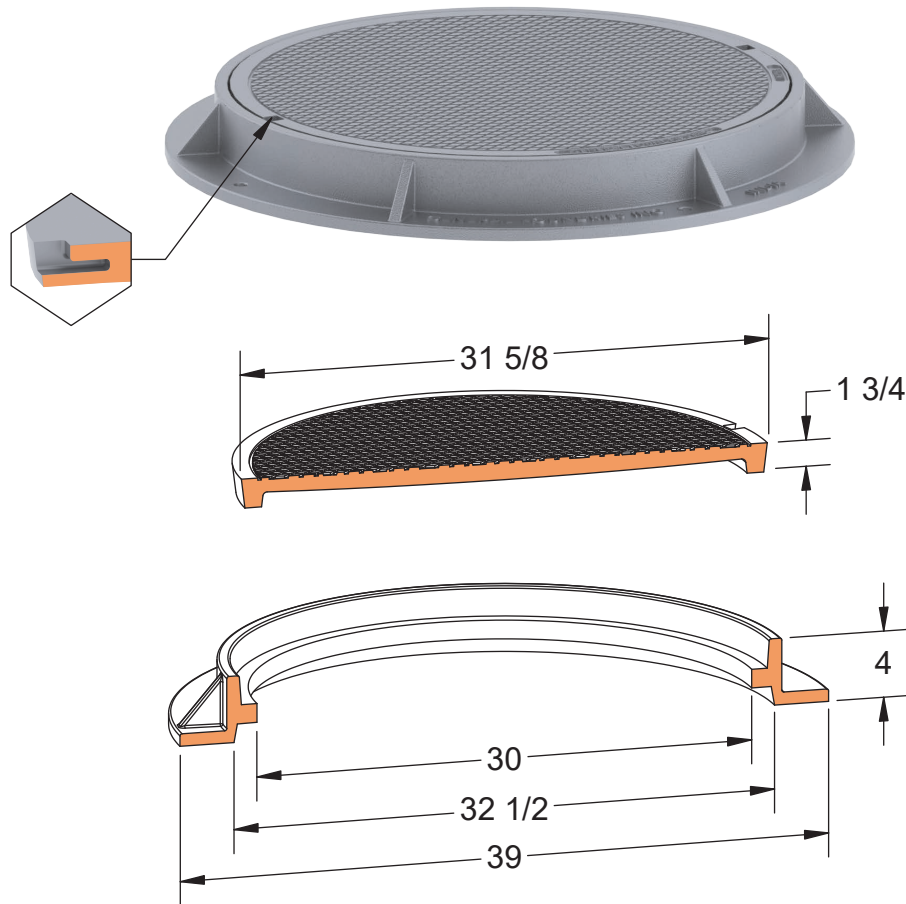
Grates Available



Risers Available

**PRODUCT #13251**

New Hampshire Standard 31-5/8" x 4" Frame & Cover



**Available Markings**

- CMP
- Communications
- Drain
- Electric
- Gas
- Plain
- Sewer
- Steam
- Storm
- Storm Drain
- Telephone
- Water



Heavy  
Duty



AASHTO  
M306



ASTM  
A48



Gray Iron  
Class 35B



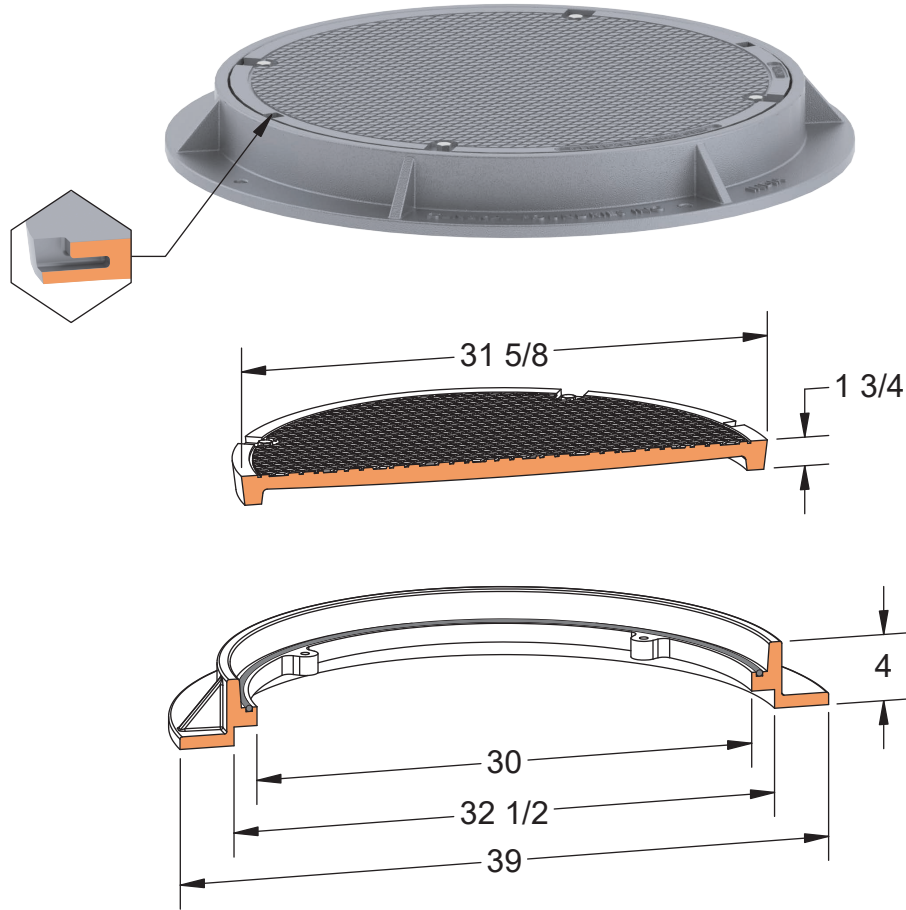
Grates  
Available



Risers  
Available

**PRODUCT #13251-WT**

New Hampshire Standard 31-5/8" x 4" Watertight Frame & Cover



**Available Markings**

- Drain
- Electric
- Gas
- Plain
- Sewer
- Storm
- Storm Drain
- Water



Heavy Duty



AASHTO M306



ASTM A48



Gray Iron Class 35B



Bolted



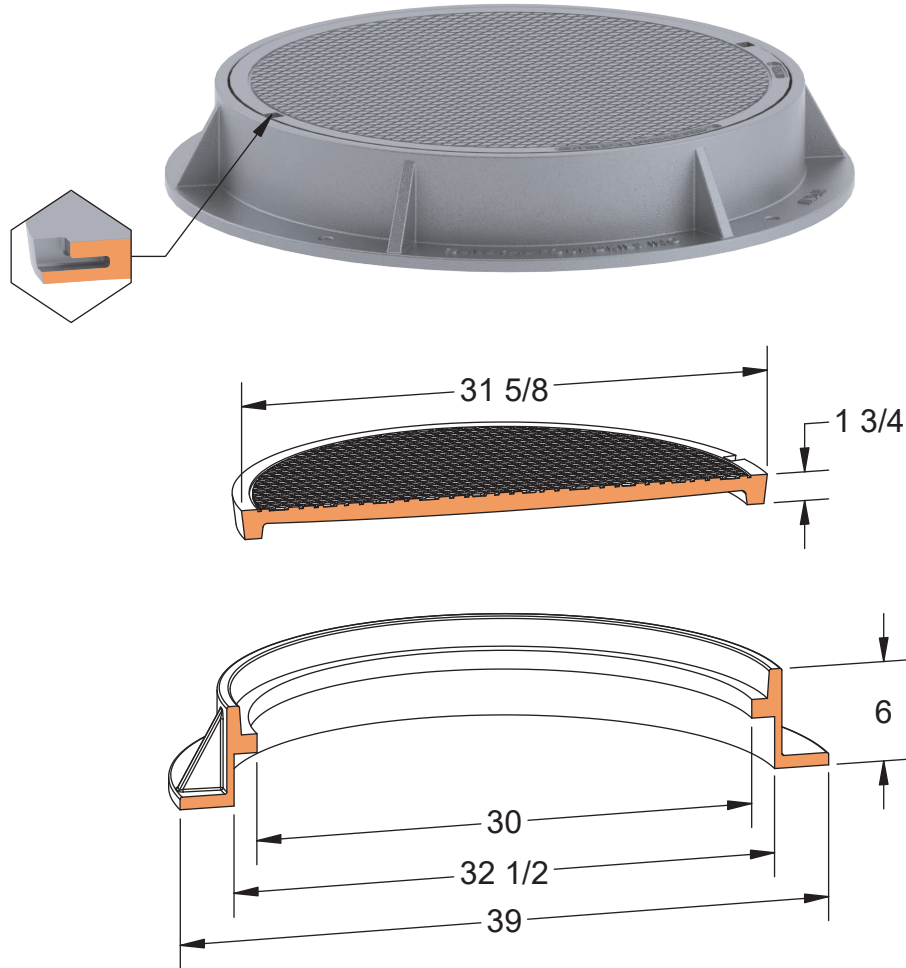
Gasket



Watertight

**PRODUCT #13261**

New Hampshire Standard 31-5/8" x 6" Frame & Cover



**Available Markings**

- CMP
- Communications
- Drain
- Electric
- Plain
- Sewer
- Steam
- Storm
- Telephone
- Water



Heavy Duty



AASHTO M306



ASTM A48



Gray Iron Class 35B



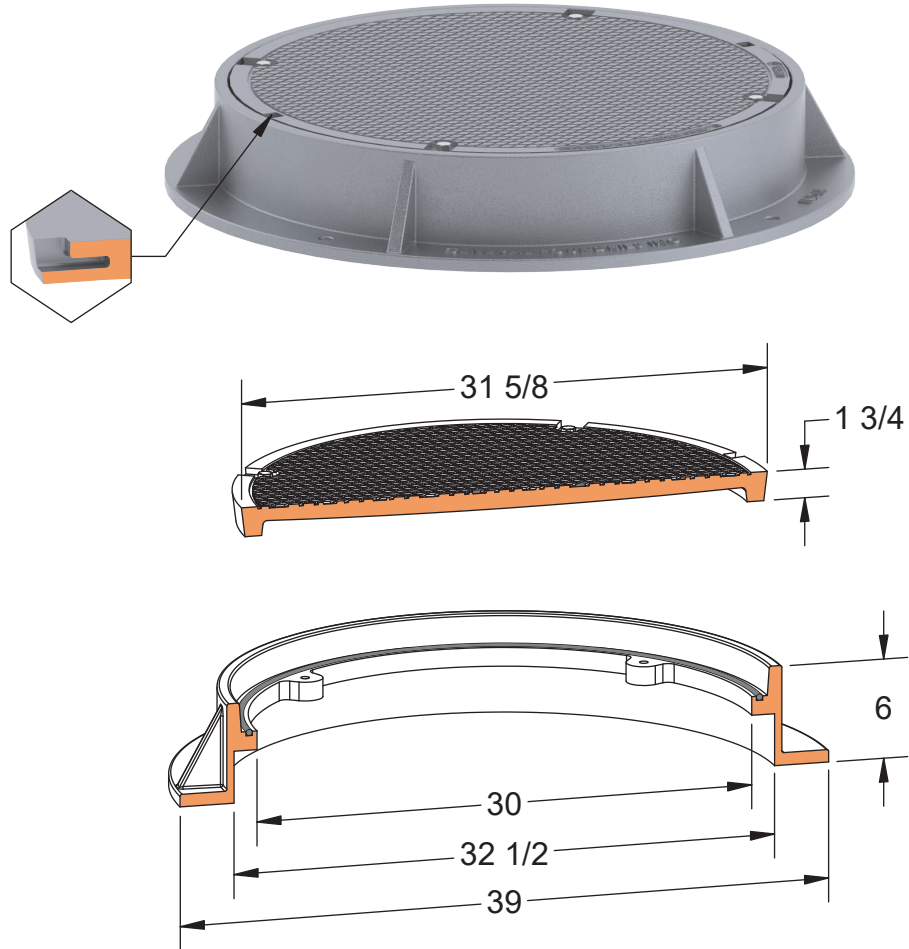
Grates Available



Risers Available

**PRODUCT #13261-WT**

New Hampshire Standard 31-5/8" x 6" Watertight Frame & Cover



**Available Markings**

- Drain
- Electric
- Plain
- Sewer
- Water



Heavy Duty



AASHTO M306



ASTM A48



Gray Iron Class 35B



Bolted



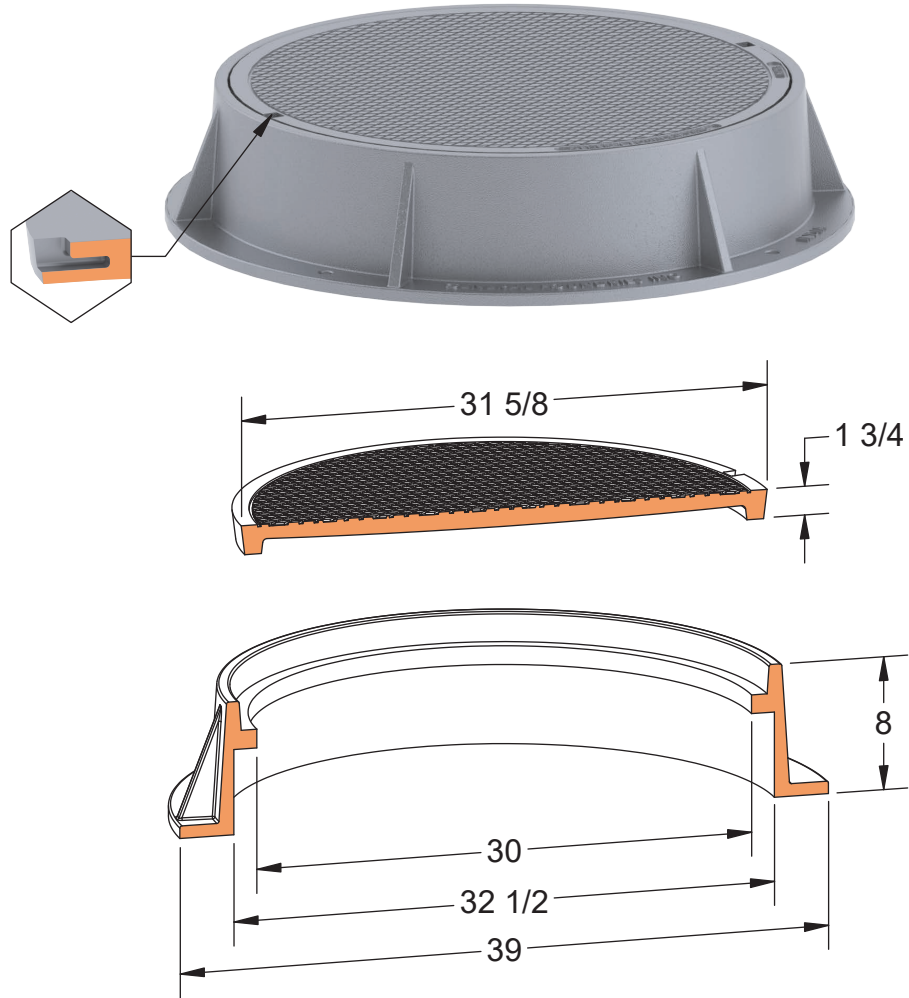
Gasket



Watertight

**PRODUCT #13281**

New Hampshire Standard 31-5/8" x 8" Frame & Cover



**Available Markings**

- CMP
- Communications
- Drain
- Electric
- Plain
- Sewer
- Steam
- Storm
- Telephone
- Water



Heavy Duty



AASHTO M306



ASTM A48



Gray Iron Class 35B



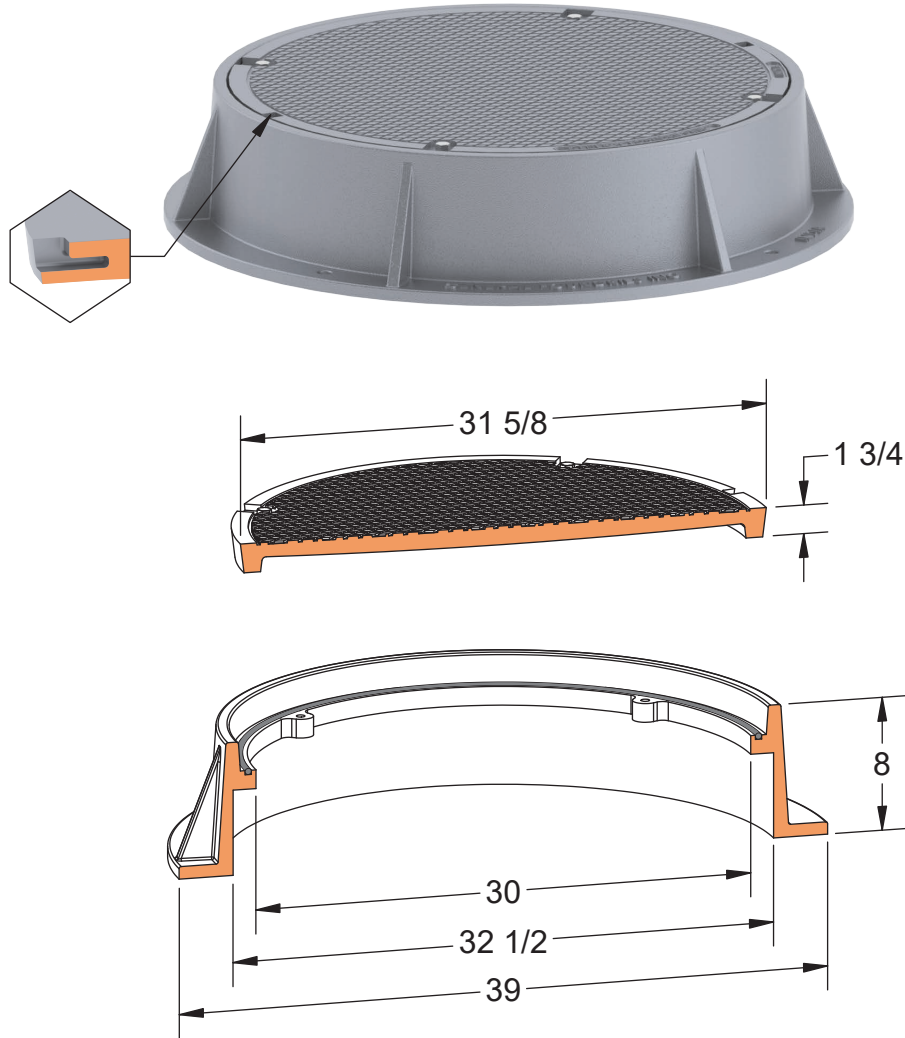
Grates Available



Risers Available

**PRODUCT #13281-WT**

New Hampshire Standard 31-5/8" x 8" Watertight Frame & Cover



**Available Markings**

- Drain
- Electric
- Plain
- Sewer
- Water



Heavy Duty



AASHTO M306



ASTM A48



Gray Iron Class 35B



Bolted



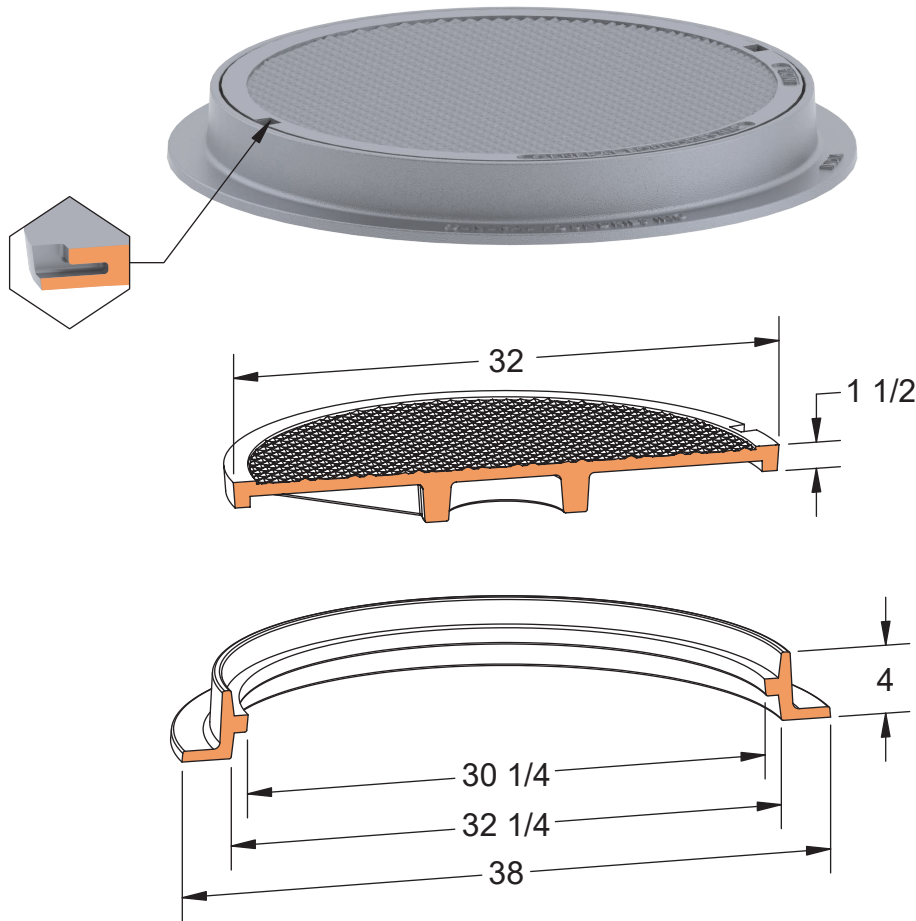
Gasket



Watertight

**PRODUCT #13241**

32" x 4" Frame & Cover



**Available Markings**

- Communication
- Electric
- Plain
- Sanitary Sewer
- Sewer
- Storm



Heavy Duty



AASHTO M306



ASTM A48



Gray Iron Class 35B



Reversible



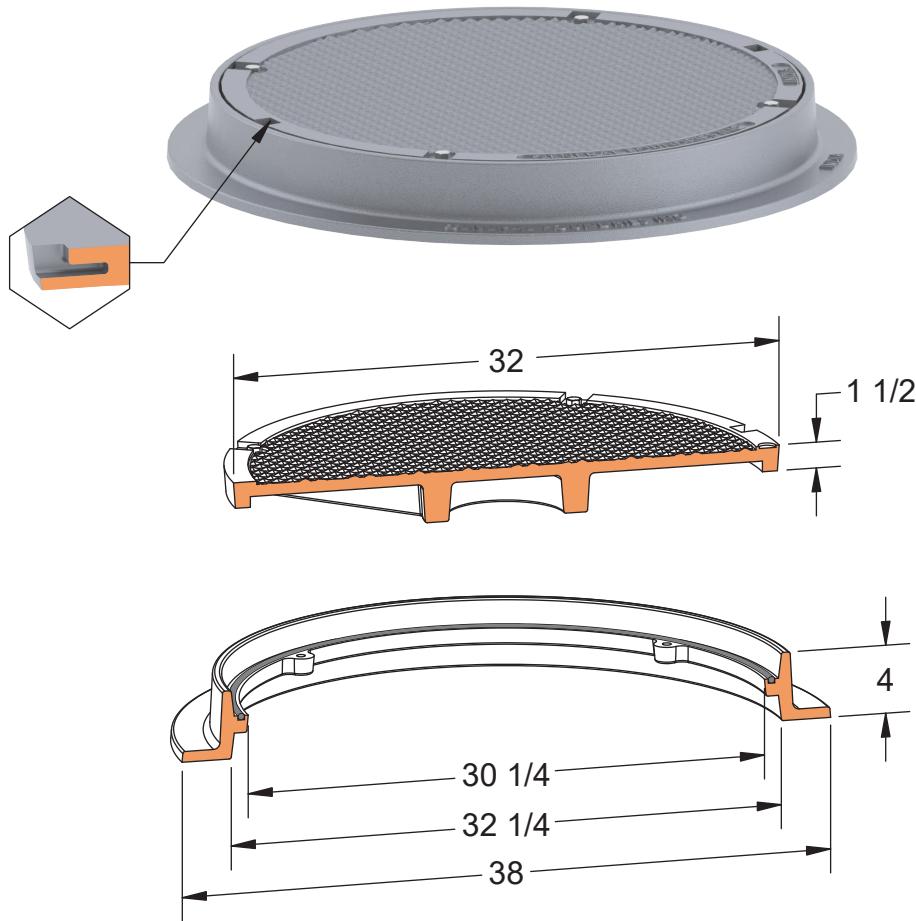
Grates Available



Risers Available

**PRODUCT #13241-WT**

32" x 4" Watertight Frame & Cover



**Available Markings**

- Plain
- Sewer
- Storm



Heavy Duty



AASHTO M306



ASTM A48



Gray Iron Class 35B



Bolted



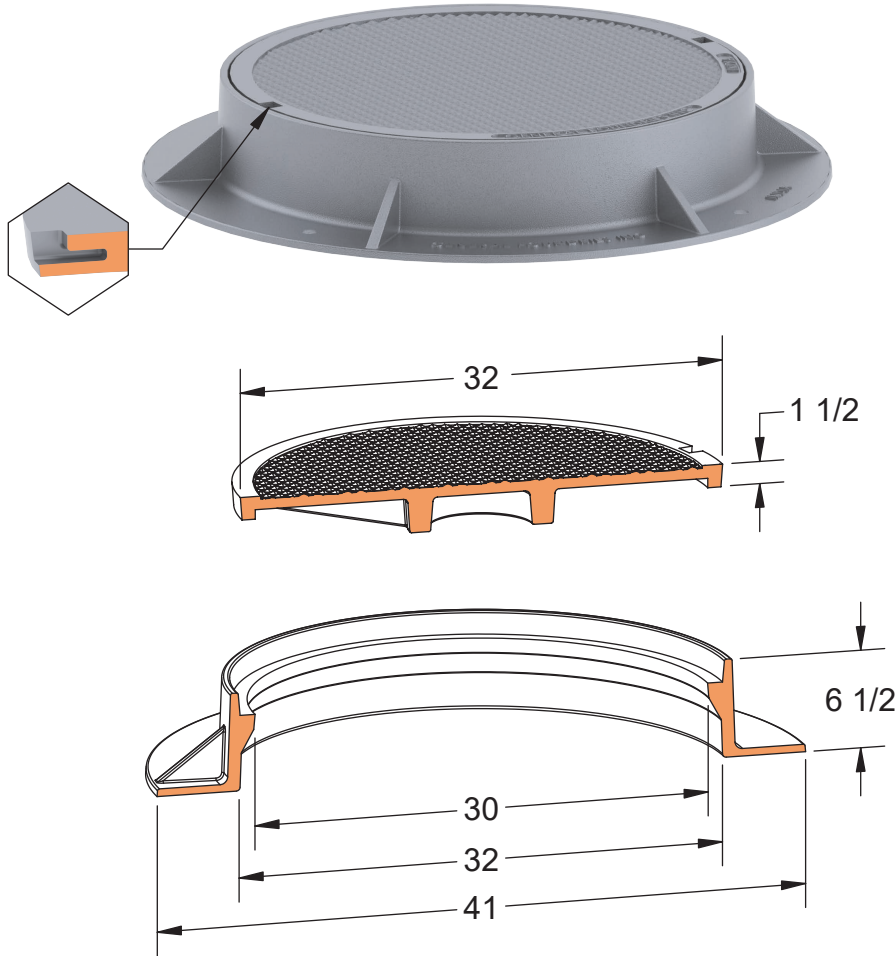
Gasket



Watertight

**PRODUCT #13271**

32" x 6-1/2" Frame & Cover



**Available Markings**

- Communication
- Electric
- Plain
- Sanitary Sewer
- Sewer
- Storm



Heavy Duty



AASHTO M306



ASTM A48



Gray Iron Class 35B



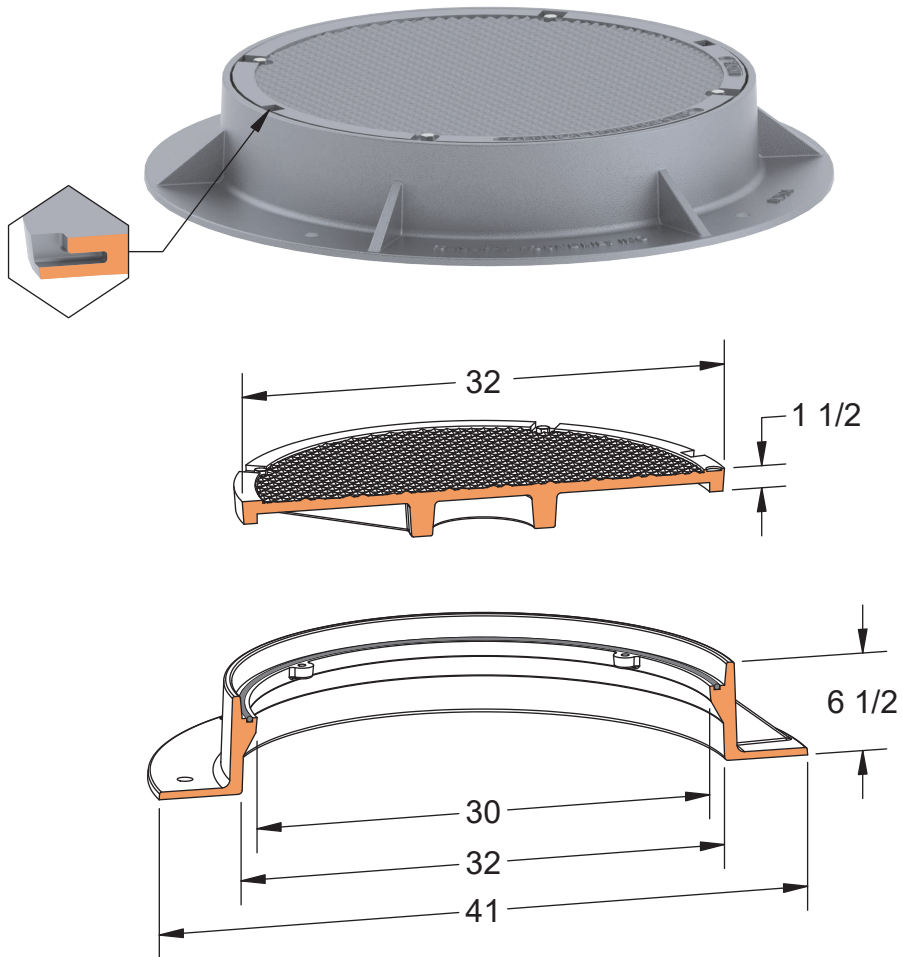
Grates Available



Risings Available

**PRODUCT #13271-WT**

32" x 6-1/2" Watertight Frame & Cover



**Available Markings**

Plain  
Sewer



Heavy Duty



AASHTO M306



ASTM A48



Gray Iron Class 35B



Bolted



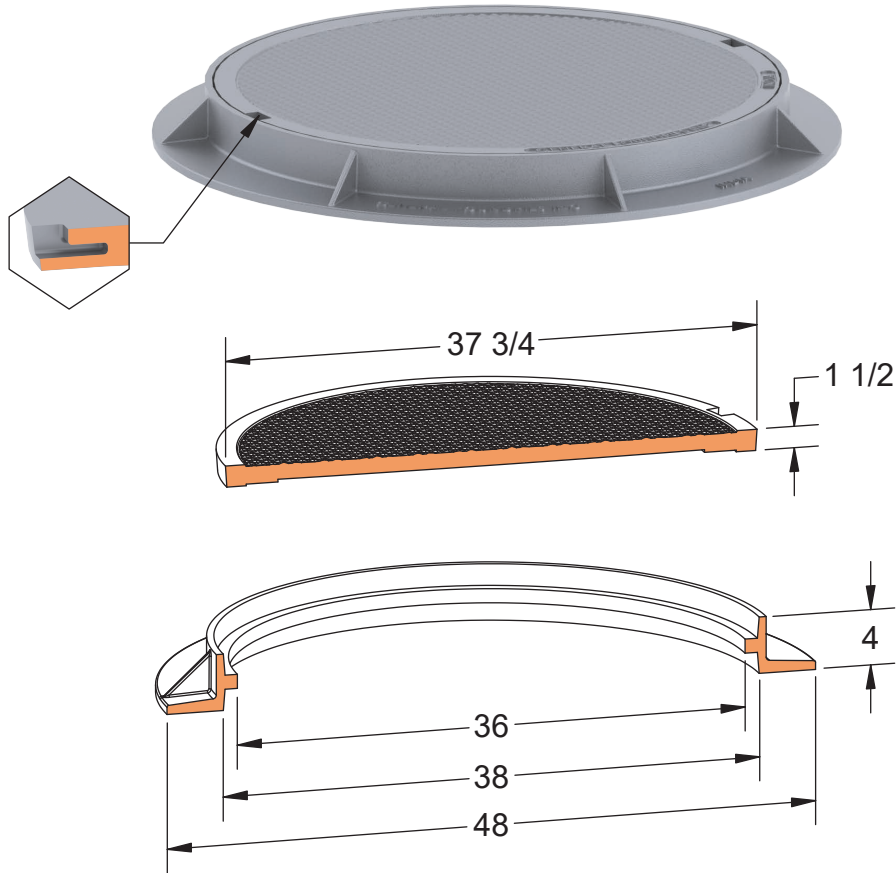
Gasket



Watertight

**PRODUCT #13641**

37-3/4" x 4" Frame & Cover



**Available Markings**

- Communication
- Drain
- Electric
- Plain
- Sewer
- Steam
- Storm
- Telephone



Heavy Duty



AASHTO M306



ASTM A48



Gray Iron Class 35B



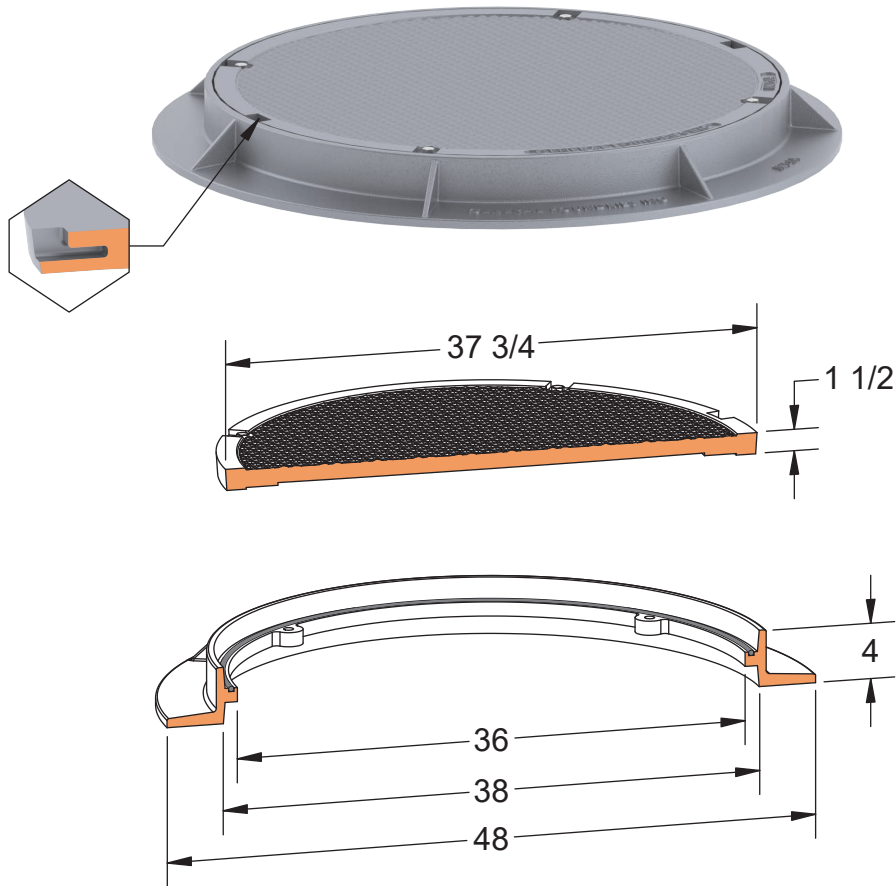
Reversible



Grates Available

**PRODUCT #13641-WT**

37-3/4" x 4" Watertight Frame & Cover



**Available Markings**

Plain  
Sewer



Heavy Duty



AASHTO M306



ASTM A48



Gray Iron Class 35B



Bolted



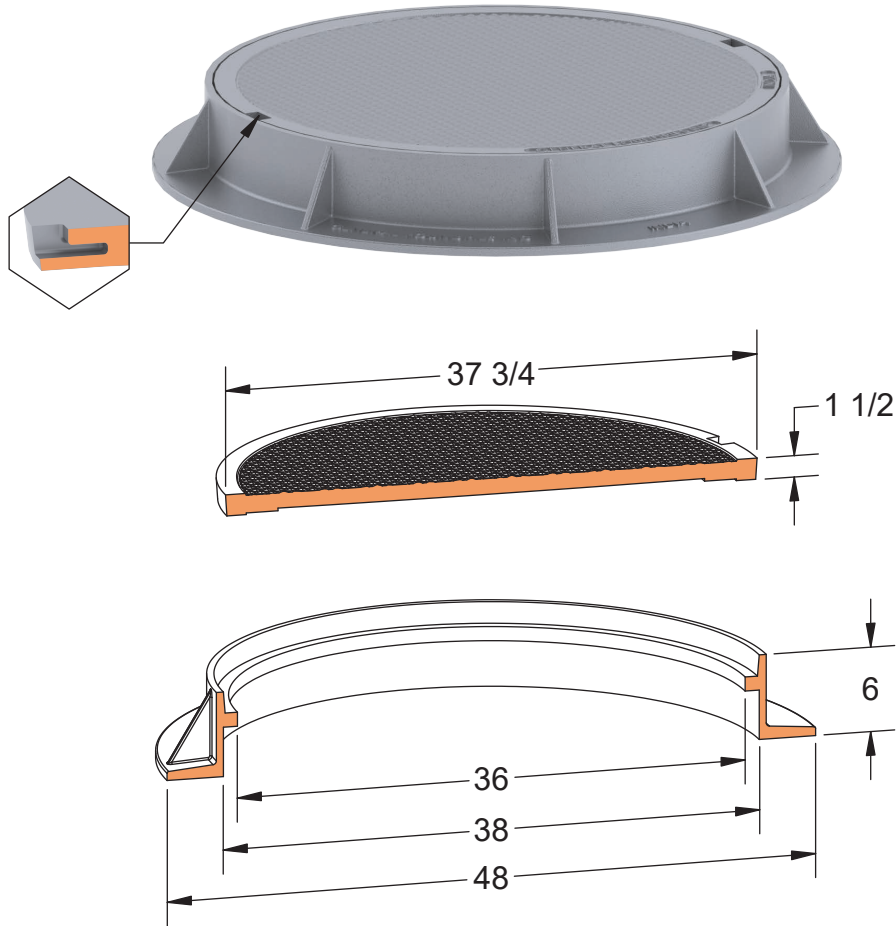
Gasket



Watertight

**PRODUCT #13661**

37-3/4" x 6" Frame & Cover



**Available Markings**

- Communication
- Drain
- Electric
- Plain
- Sewer
- Steam
- Telephone



Heavy Duty



AASHTO M306



ASTM A48



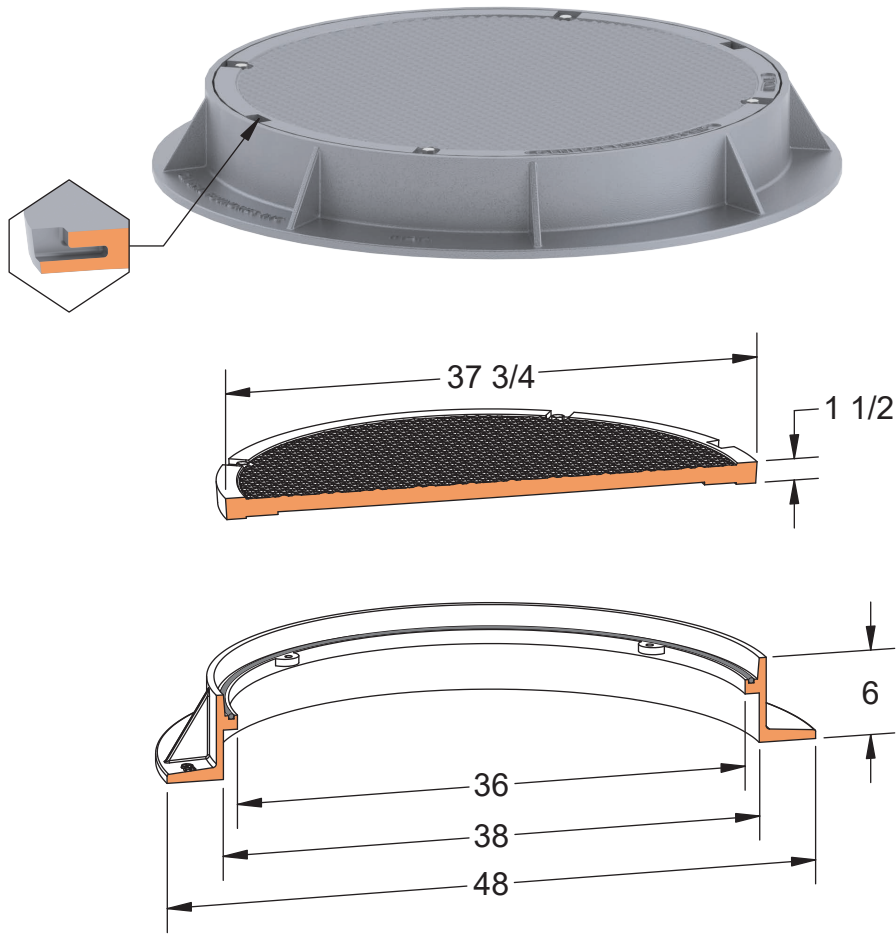
Gray Iron Class 35B



Grates Available

**PRODUCT #13661-WT**

37-3/4" x 6" Watertight Frame & Cover



**Available Markings**

Plain  
Sewer



Heavy  
Duty



AASHTO  
M306



ASTM  
A48



Gray Iron  
Class 35B



Bolted



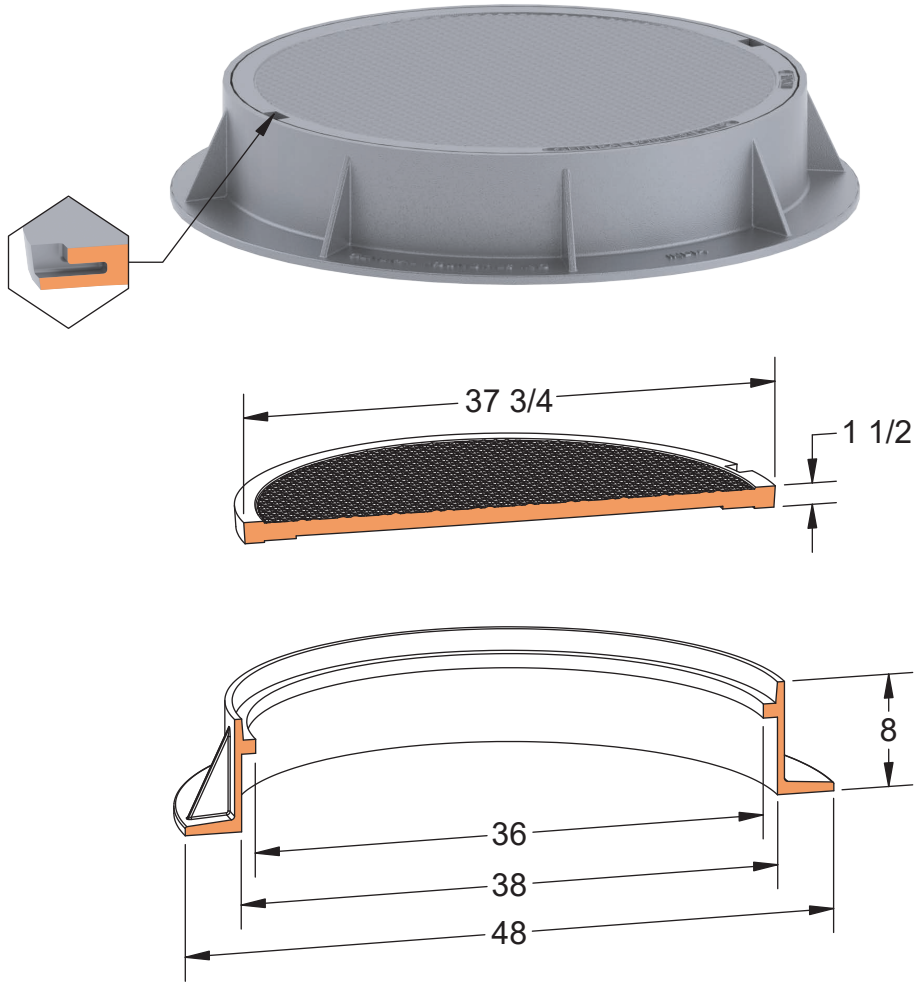
Gasket



Watertight

**PRODUCT #13681**

37-3/4" x 8" Frame & Cover



**Available Markings**

- Communication
- Drain
- Electric
- Plain
- Sewer
- Steam
- Telephone



Heavy Duty



AASHTO M306



ASTM A48



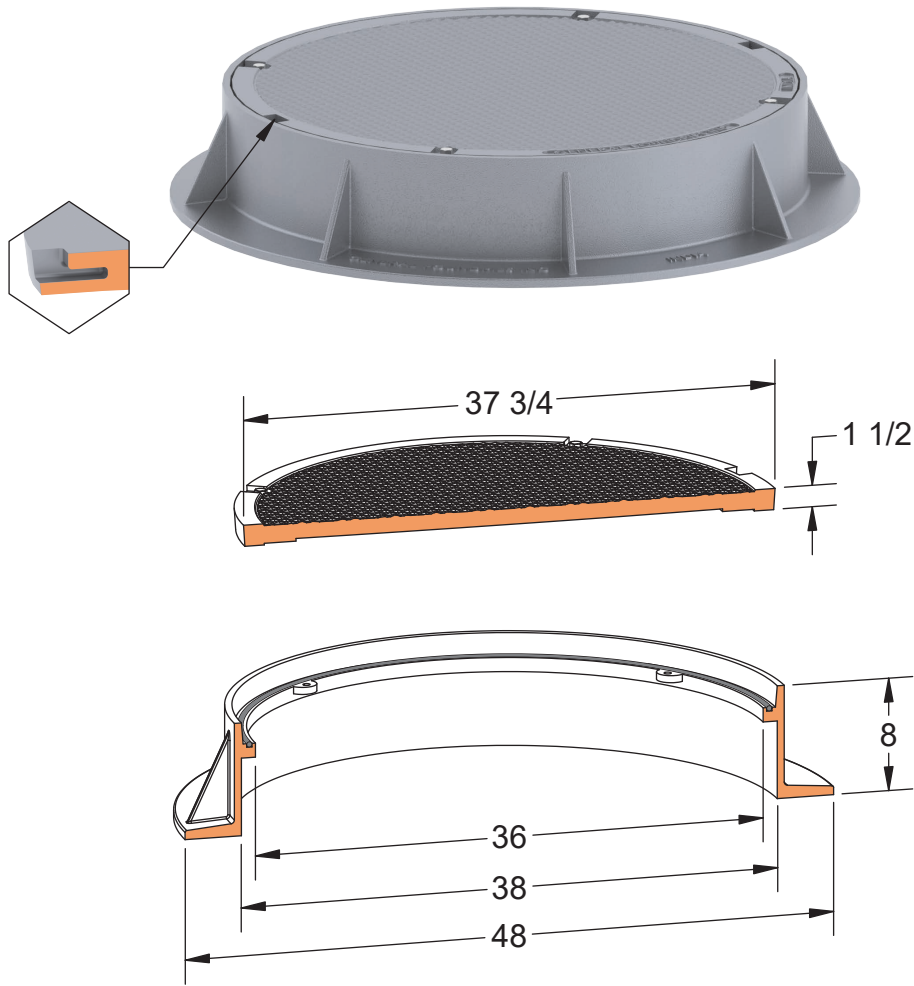
Gray Iron Class 35B



Grates Available

**PRODUCT #13681-WT**

37-3/4" x 8" Watertight Frame & Cover



**Available Markings**

Plain  
Sewer



Heavy Duty



AASHTO M306



ASTM A48



Gray Iron Class 35B



Bolted



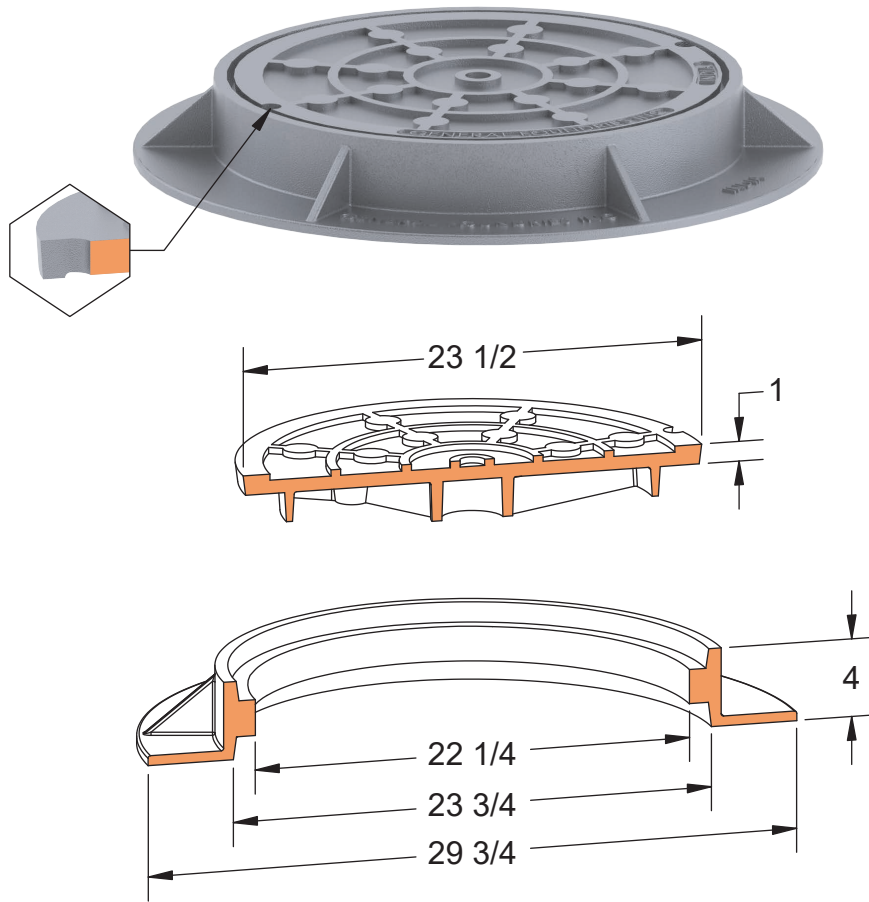
Gasket



Watertight

**PRODUCT #12341**

23-1/2" x 4" Frame & Cover



**Available Markings**

- Plain
- Sanitary Sewer
- Storm Sewer
- Water

**Options**

- No Vent Hole
- 1 Vent Hole
- 2 Vent Hole
- 4 Vent Hole



Heavy Duty



AASHTO M306



ASTM A48



Gray Iron Class 35B

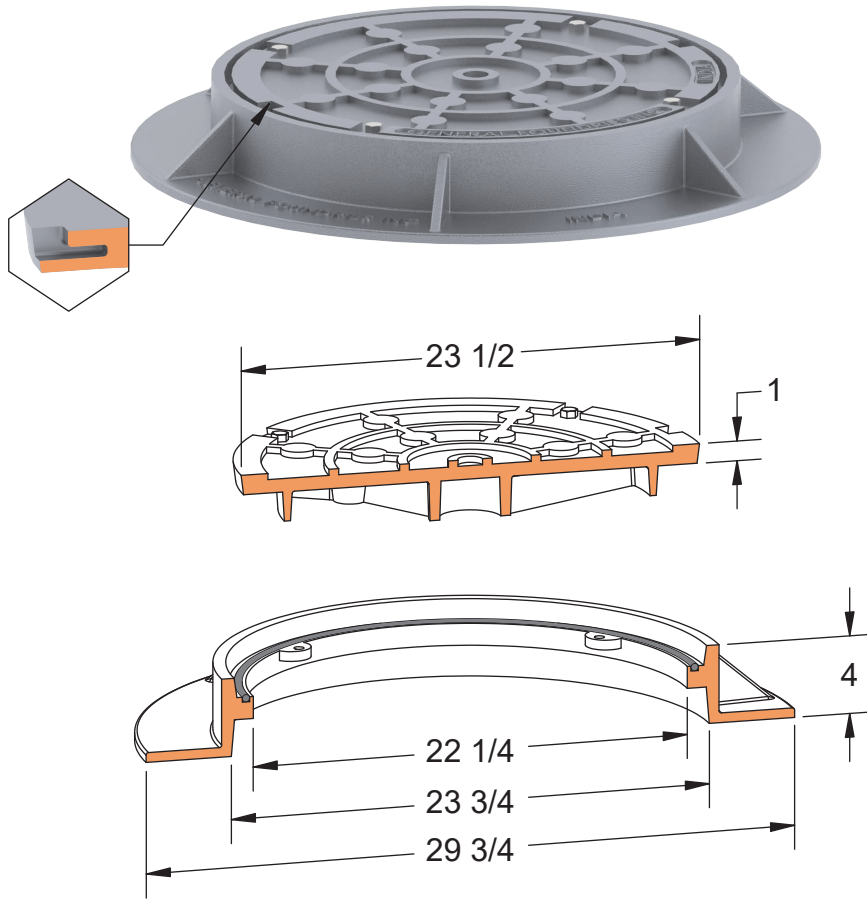


Reversible



Risers Available

**PRODUCT #12341-WT**  
23-1/2" x 4" Watertight Frame & Cover



**Available Markings**

- Plain
- Sanitary Sewer
- Storm Sewer
- Water



Heavy Duty



AASHTO M306



ASTM A48



Gray Iron Class 35B



Bolted



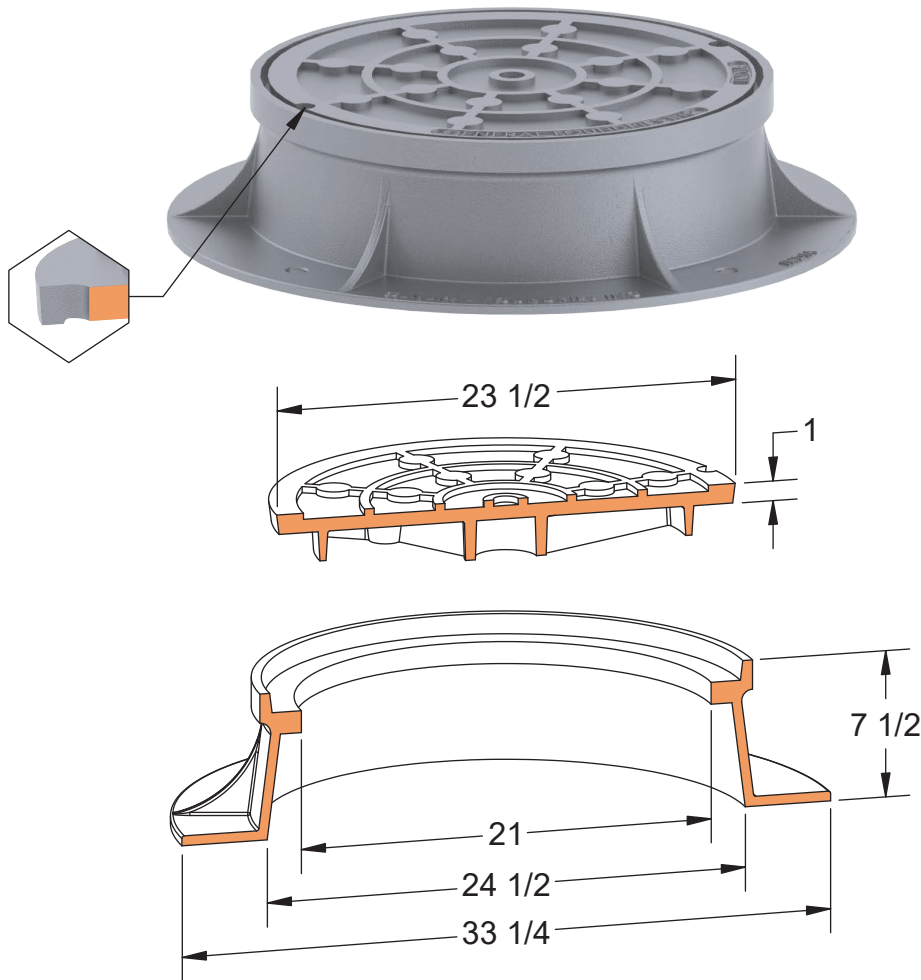
Gasket



Watertight

**PRODUCT #12371**

23-1/2" x 7-1/2" Frame & Cover



**Available Markings**

- Plain
- Sanitary Sewer
- Storm Sewer
- Water

**Options**

- No Vent Hole
- 1 Vent Hole
- 2 Vent Hole
- 4 Vent Hole



Heavy Duty



AASHTO M306



ASTM A48



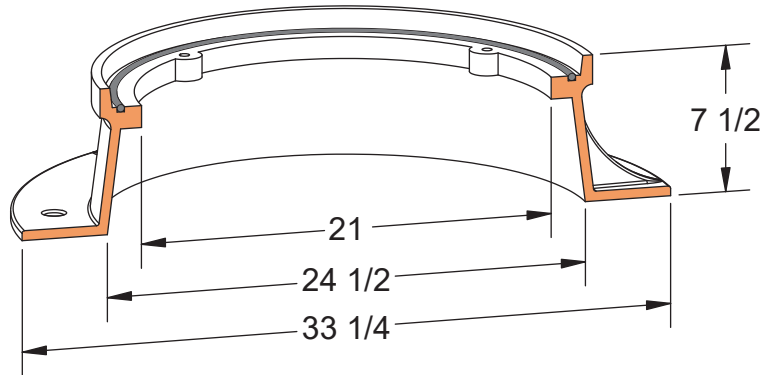
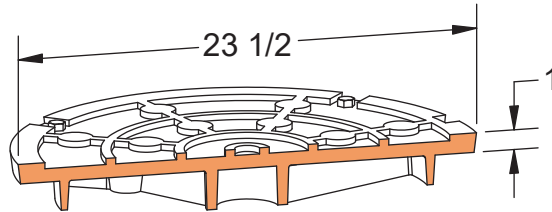
Gray Iron Class 35B



Risers Available

**PRODUCT #12371-WT**

23-1/2" x 7-1/2" Watertight Frame & Cover



**Available Markings**

- Plain
- Sanitary Sewer
- Storm Sewer
- Water



Heavy Duty



AASHTO M306



ASTM A48



Gray Iron Class 35B



Bolted

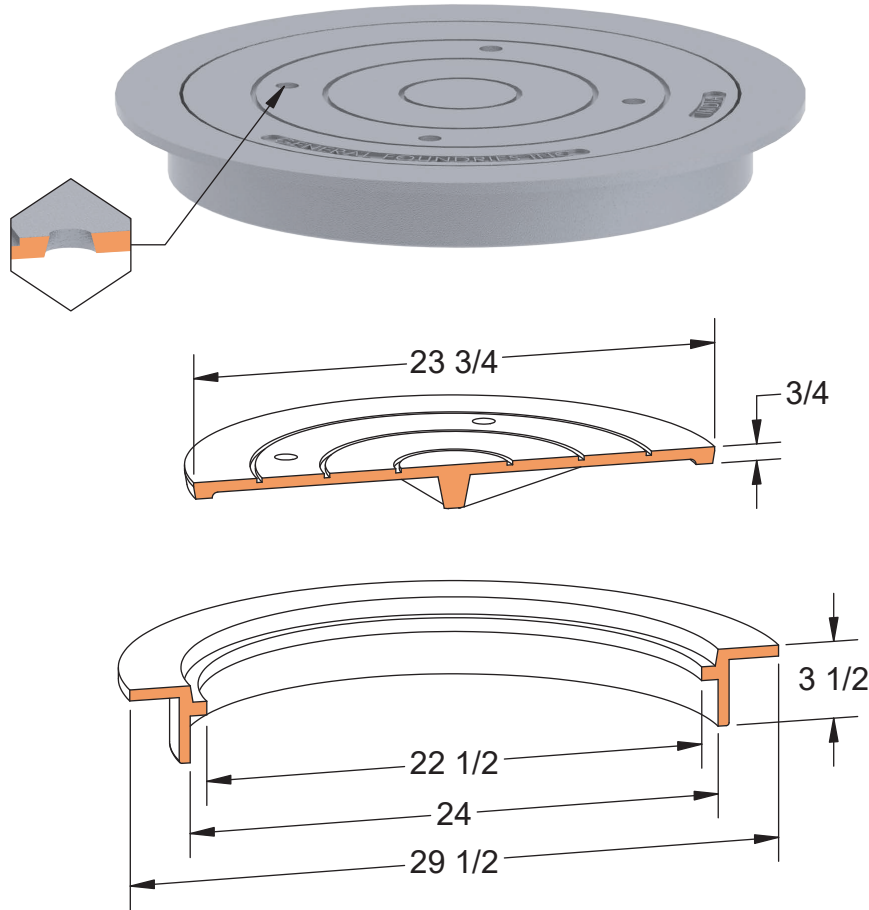


Gasket



Watertight

**PRODUCT #12343**  
Sidewalk Frame & Cover



**Available Markings**

Plain

**Options**

- No Vent Holes
- 4 Vent Holes



Light  
Duty



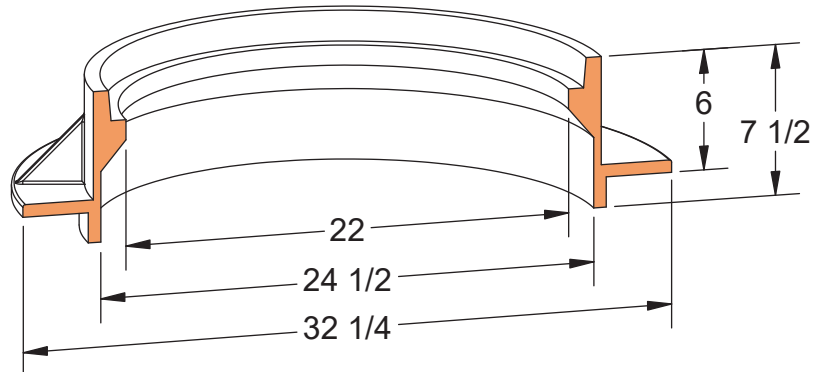
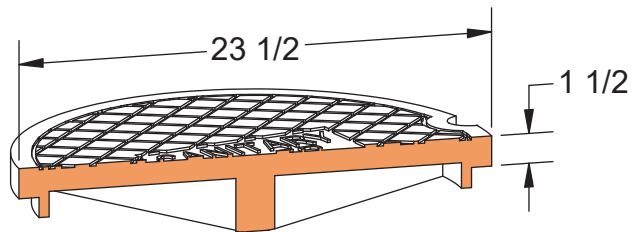
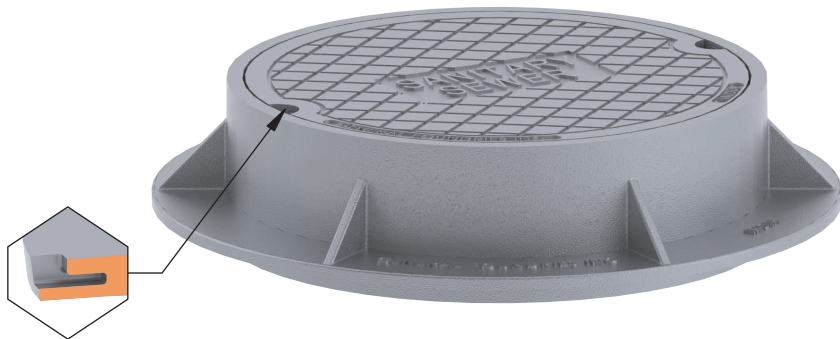
ASTM  
A48



Gray Iron  
Class 35B

**PRODUCT #12373**

23-1/2" x 7-1/2" Frame & Cover



**Available Markings**  
Sanitary Sewer  
Sewer



Heavy Duty



AASHTO M306



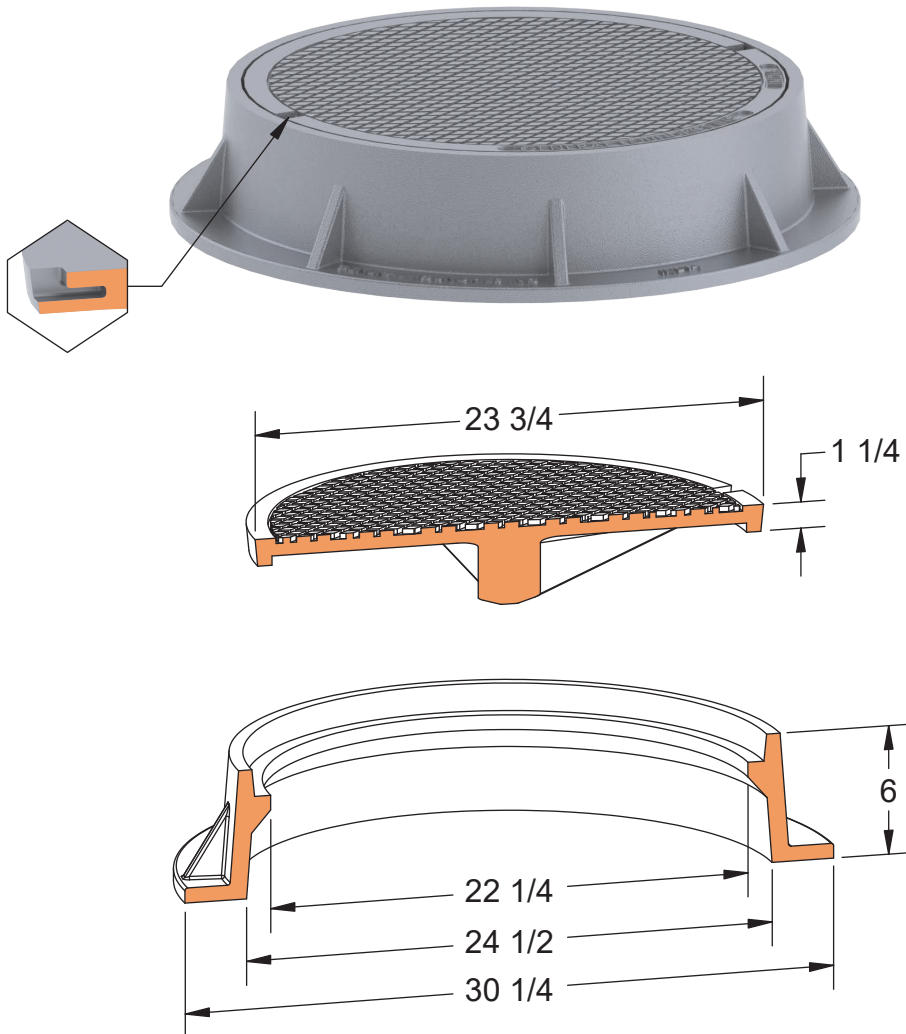
ASTM A48



Gray Iron Class 35B

**PRODUCT #12361**

23-3/4" x 6" Frame & Cover



**Available Markings**

- Grease
- Sanitary Sewer
- Sewer
- Storm
- Water



Heavy  
Duty



AASHTO  
M306



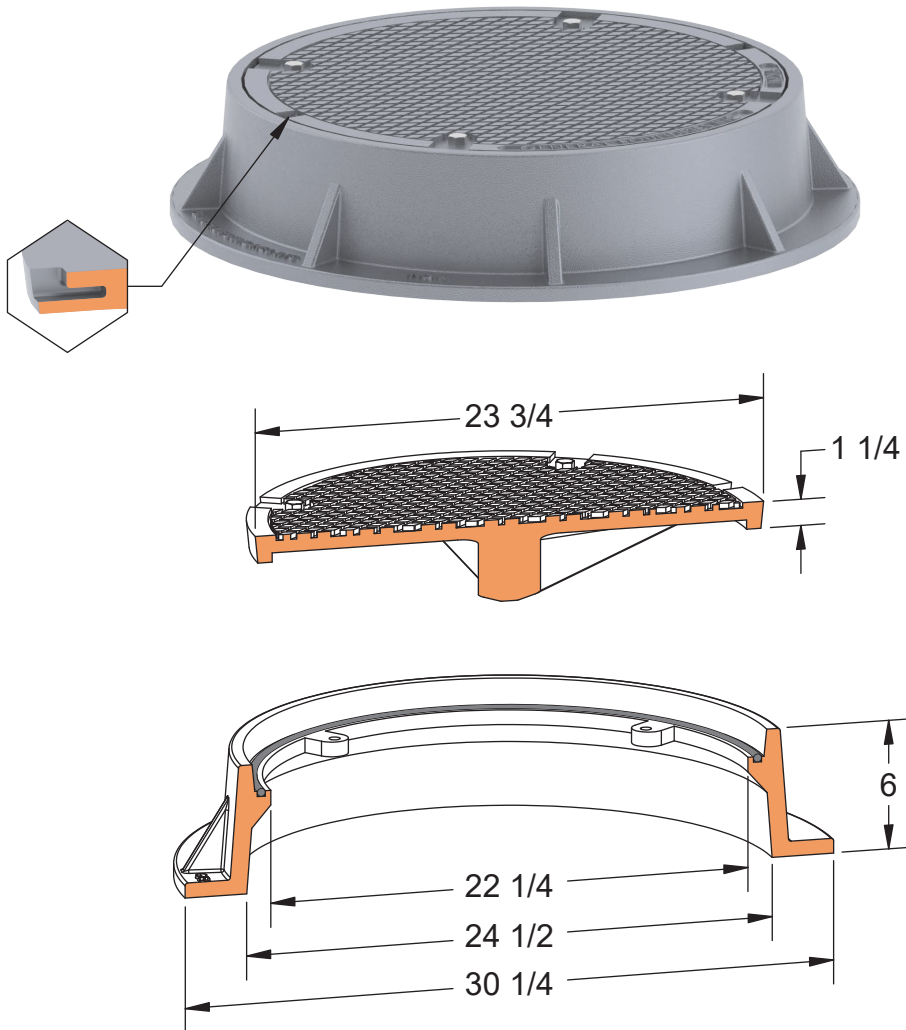
ASTM  
A48



Gray Iron  
Class 35B

**PRODUCT #12361-WT**

23-3/4" x 6" Watertight Frame & Cover



**Available Markings**

- Grease
- Sanitary Sewer
- Sewer
- Storm
- Water



Heavy Duty



AASHTO M306



ASTM A48



Gray Iron Class 35B



Bolted



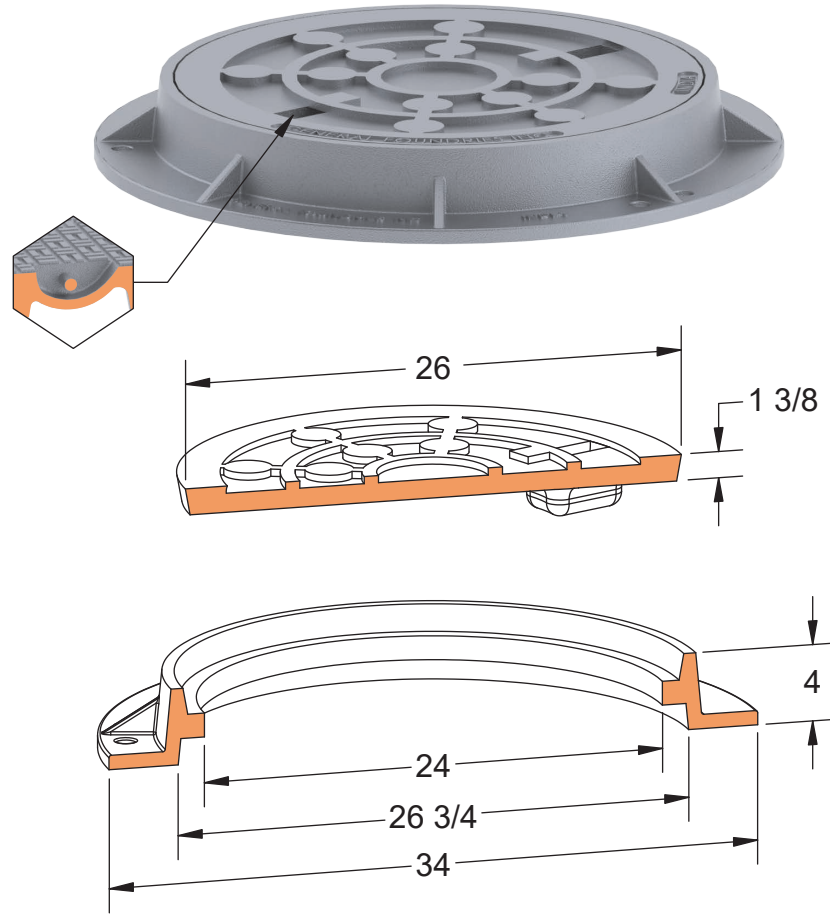
Gasket



Watertight

**PRODUCT #12633**

26" x 4" Frame & Cover



**Available Markings**

Sanitary Sewer

**Options**

No Vent Holes

4 Vent Holes



Heavy  
Duty



AASHTO  
M306



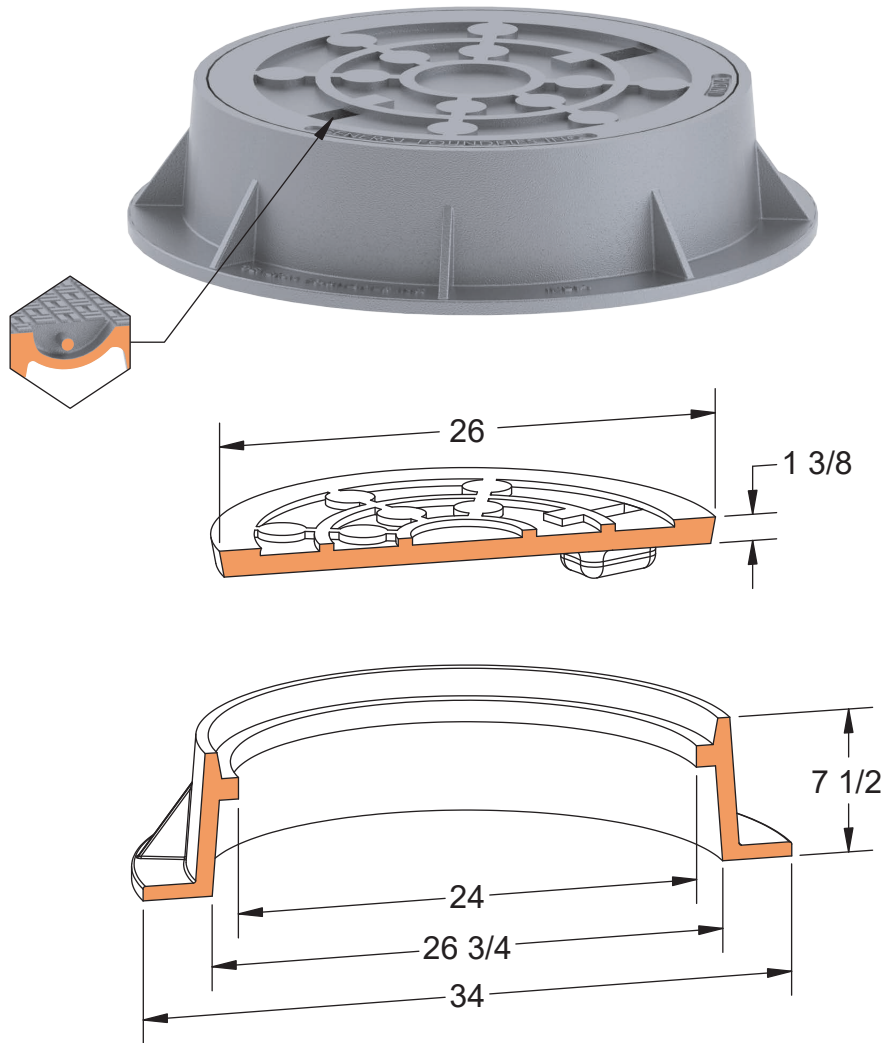
ASTM  
A48



Gray Iron  
Class 35B

**PRODUCT #12673**

26" x 7" Frame & Cover



**Available Markings**

Sanitary Sewer

**Options**

No Vent Holes

4 Vent Holes



Heavy Duty



AASHTO M306



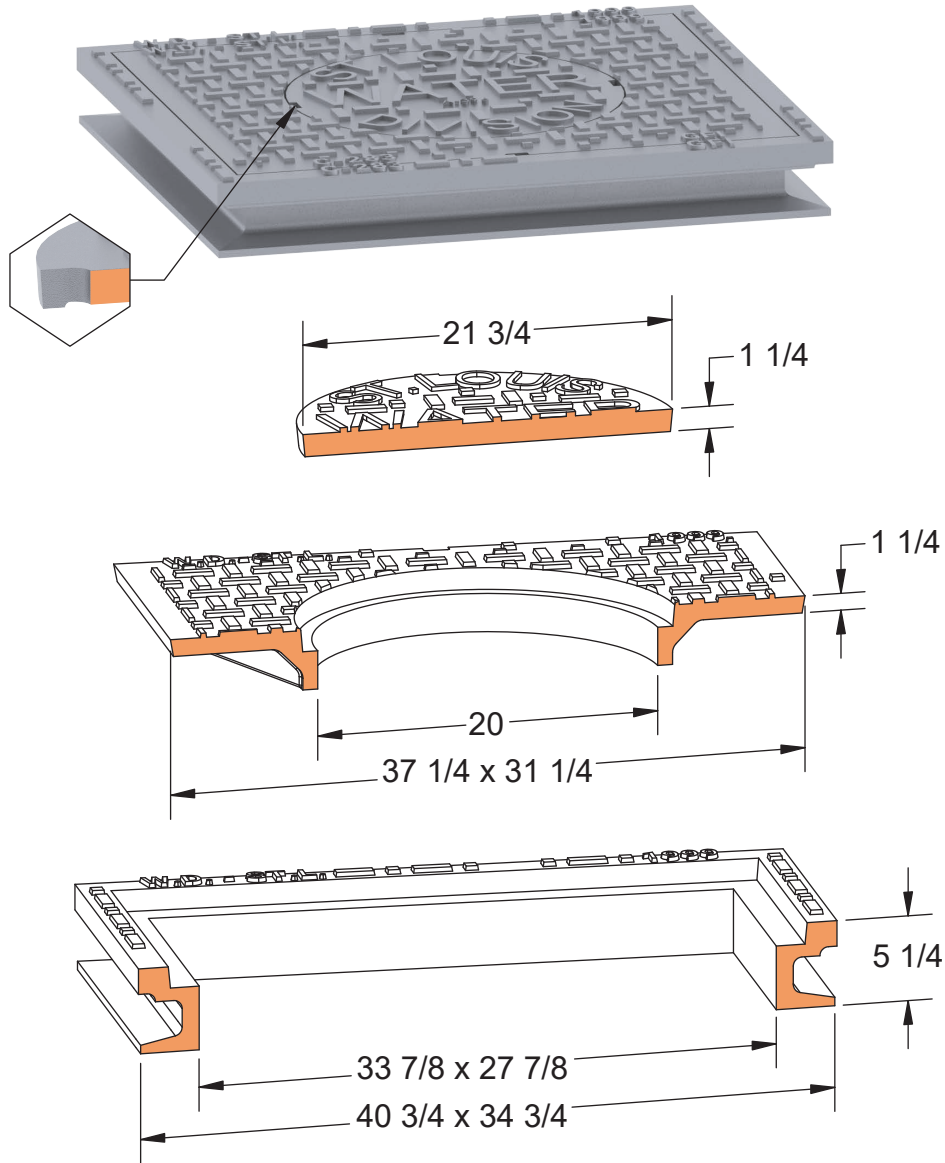
ASTM A48



Gray Iron Class 35B

**PRODUCT #12151**

St. Louis C-283 Duo Frame & A-396 Cover



**Available Markings**  
City of St. Louis, Water Division



Heavy Duty



AASHTO M306



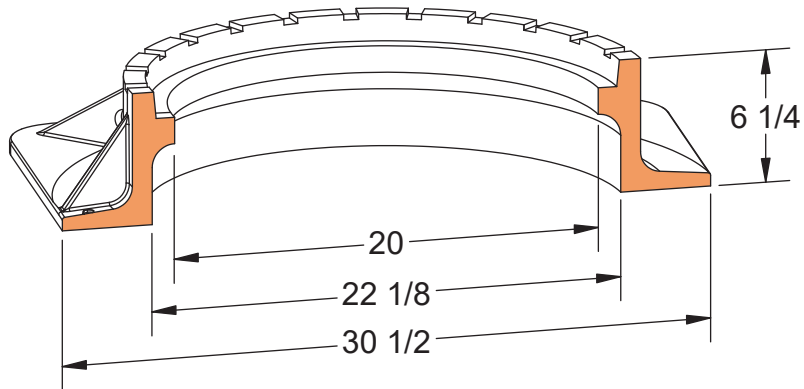
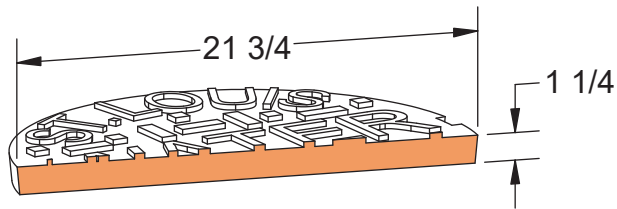
ASTM A48



Gray Iron Class 35B

**PRODUCT #12161**

St. Louis B-329 Frame & A-396 Cover



**Available Markings**

City of St. Louis, Water Division



Heavy  
Duty



AASHTO  
M306



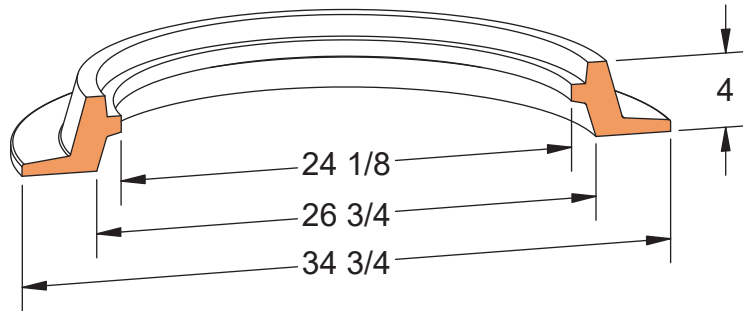
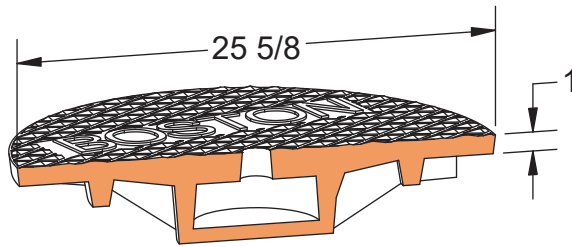
ASTM  
A48



Gray Iron  
Class 35B

**PRODUCT #BSA24**

BWSC 4" A2 Frame & Cover



**Available Markings**

- Boston AC
- Boston BV
- Boston Drain
- Boston Meter
- Boston Sewer
- Boston Water
- HPFS



Heavy Duty



AASHTO M306



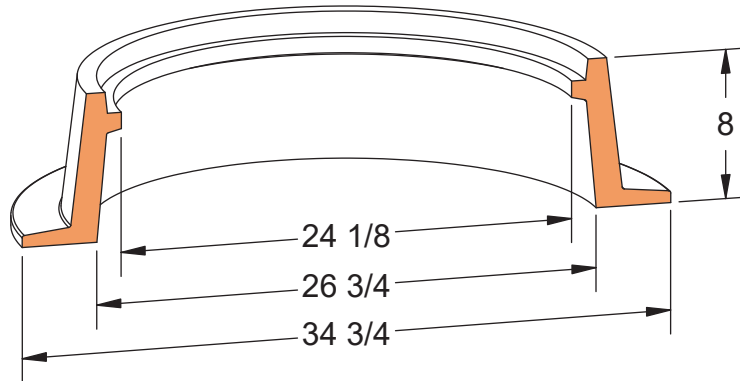
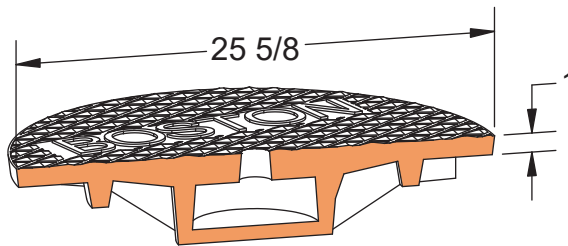
ASTM A48



Gray Iron Class 35B

**PRODUCT #BSA28**

BWSC 8" A2 Frame & Cover



**Available Markings**

- Boston AC
- Boston BV
- Boston Drain
- Boston Meter
- Boston Sewer
- Boston Water
- HPFS



Heavy Duty



AASHTO M306

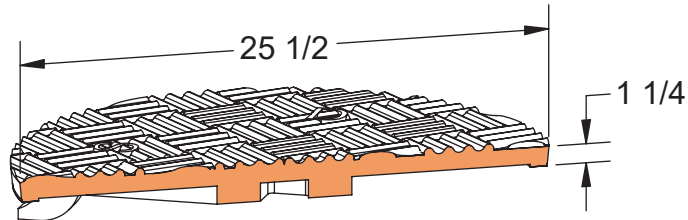
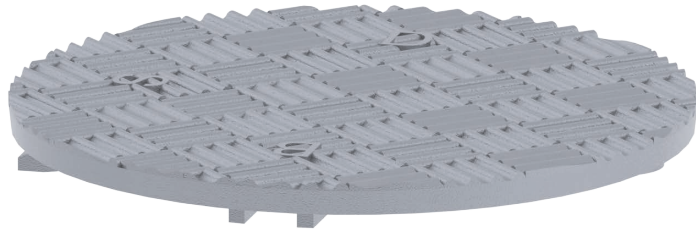


ASTM A48



Gray Iron Class 35B

PRODUCT #BSA3-C  
BWSC A3 Cover



Available Markings  
BSD



Heavy  
Duty



AASHTO  
M306



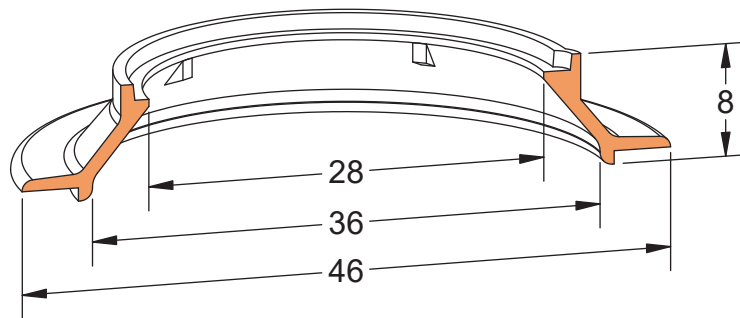
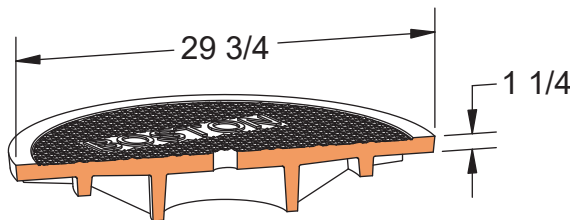
ASTM  
A48



Gray Iron  
Class 35B

**PRODUCT #BSB5**

BWSC B5 Frame & Cover



**Available Markings**

Boston Drain  
Boston Sewer



Heavy  
Duty



AASHTO  
M306

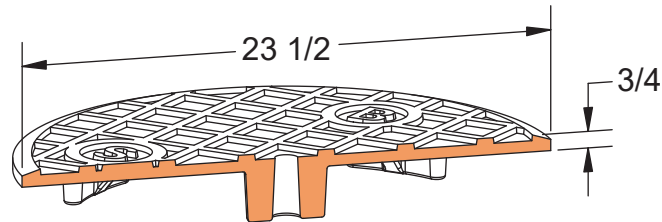
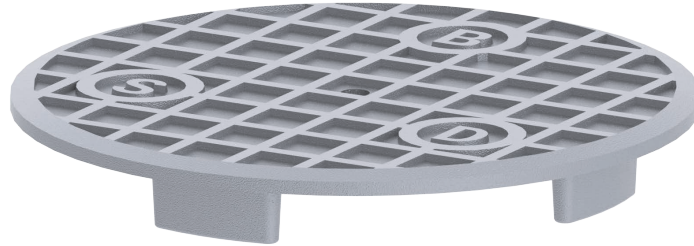


ASTM  
A48



Gray Iron  
Class 35B

PRODUCT #BSBRD-C  
BWSC Bradley Head Cover



Available Markings  
BSD



Light  
Duty



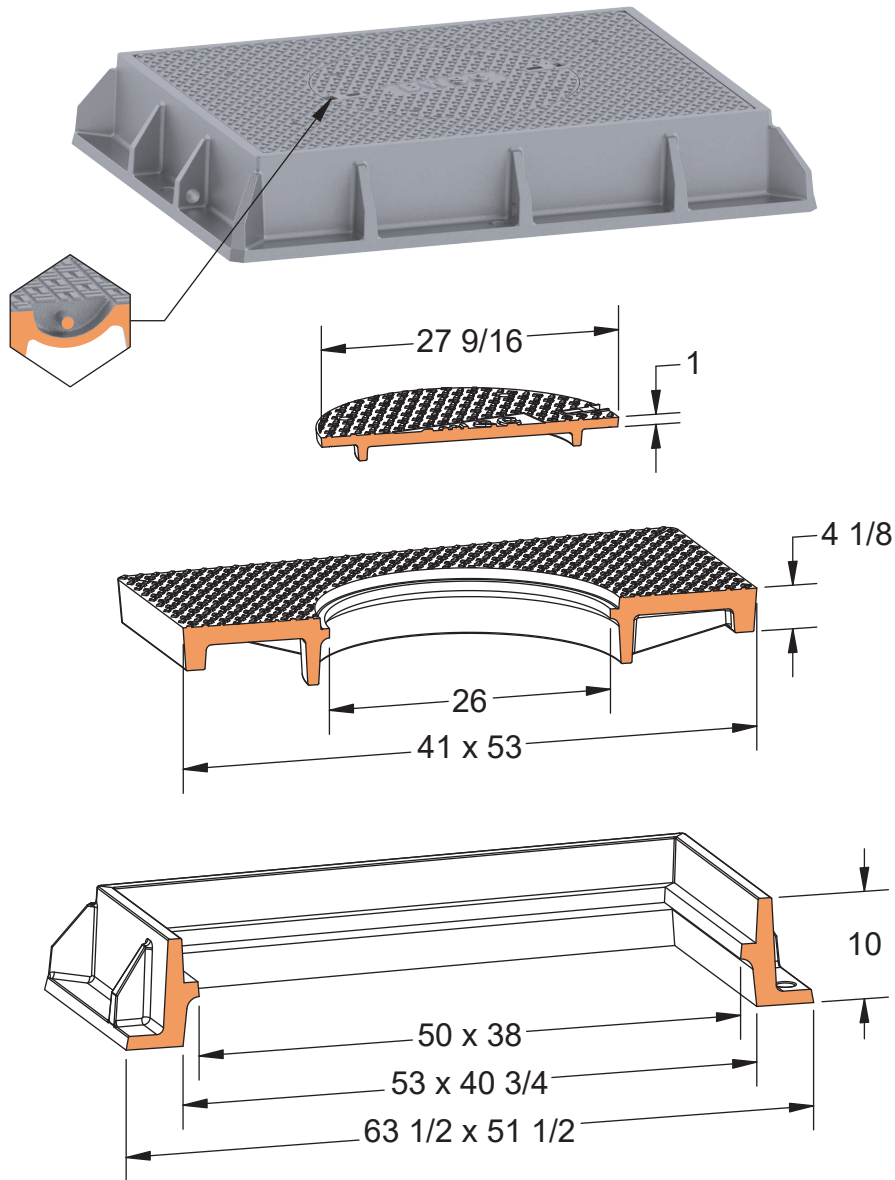
ASTM  
A48



Gray Iron  
Class 35B

**PRODUCT #BSGMH**

BWSC G Duo Frame & Cover



**Available Markings**  
BWSC



Heavy  
Duty



AASHTO  
M306



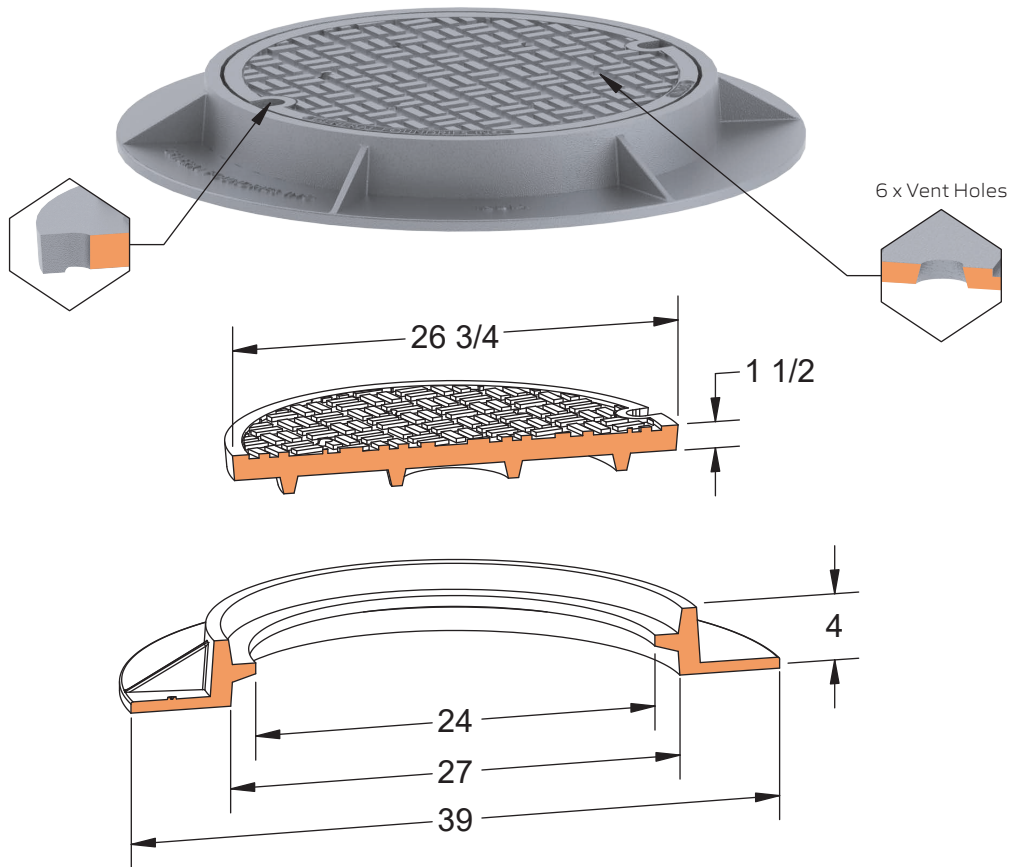
ASTM  
A48



Gray Iron  
Class 35B

**PRODUCT #12741**

26-3/4" x 4" Frame & Cover



**Available Markings**

- COY Drain
- COY Sewer
- COY Water
- NYC Sewer
- Plain
- Sewer



Heavy Duty



AASHTO M306



ASTM A48



Gray Iron Class 35B



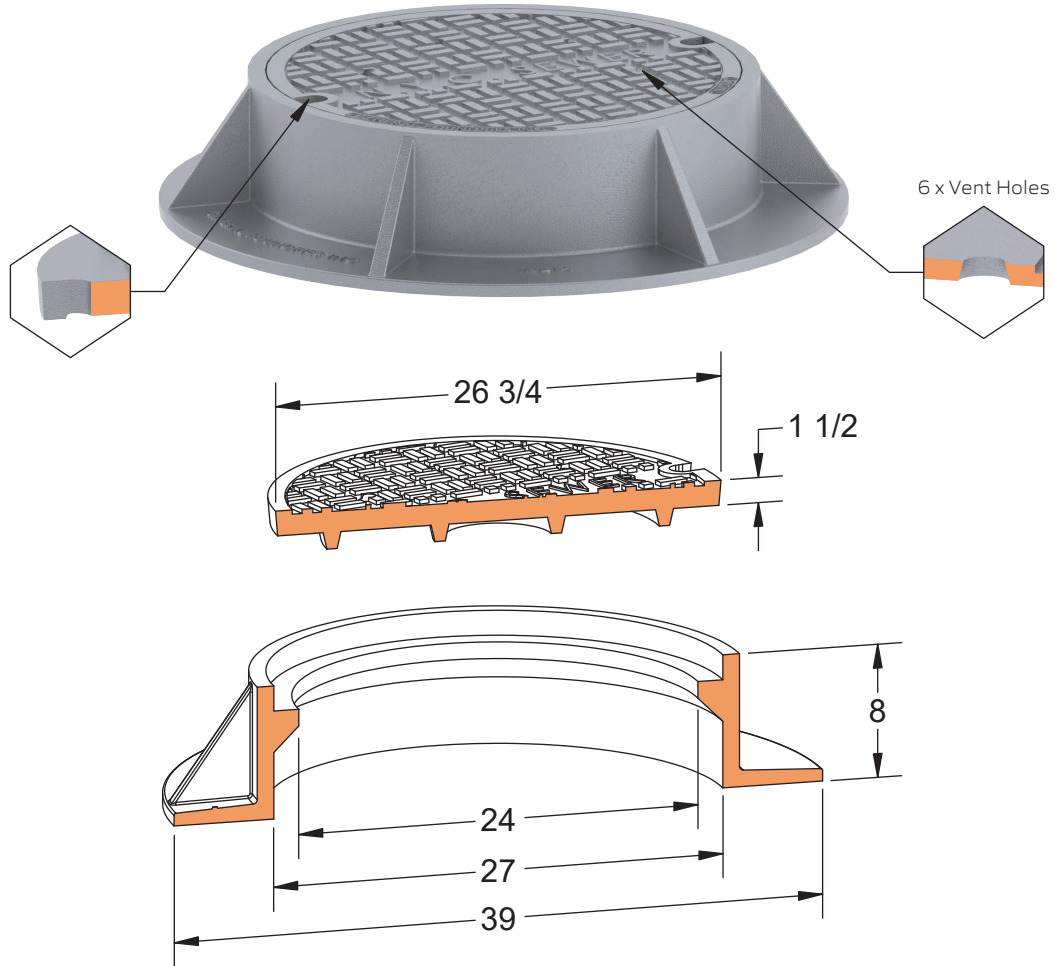
Risers Available



Grates Available

**PRODUCT #12781**

26-3/4" x 8" Frame & Cover



**Available Markings**

- COY Drain
- COY Sewer
- COY Water
- NYC Sewer
- Plain
- Sewer

**Notes**

Conforms to NYCDEP STD. DWG. SE39



Heavy Duty



AASHTO M306



ASTM A48



Gray Iron Class 35B



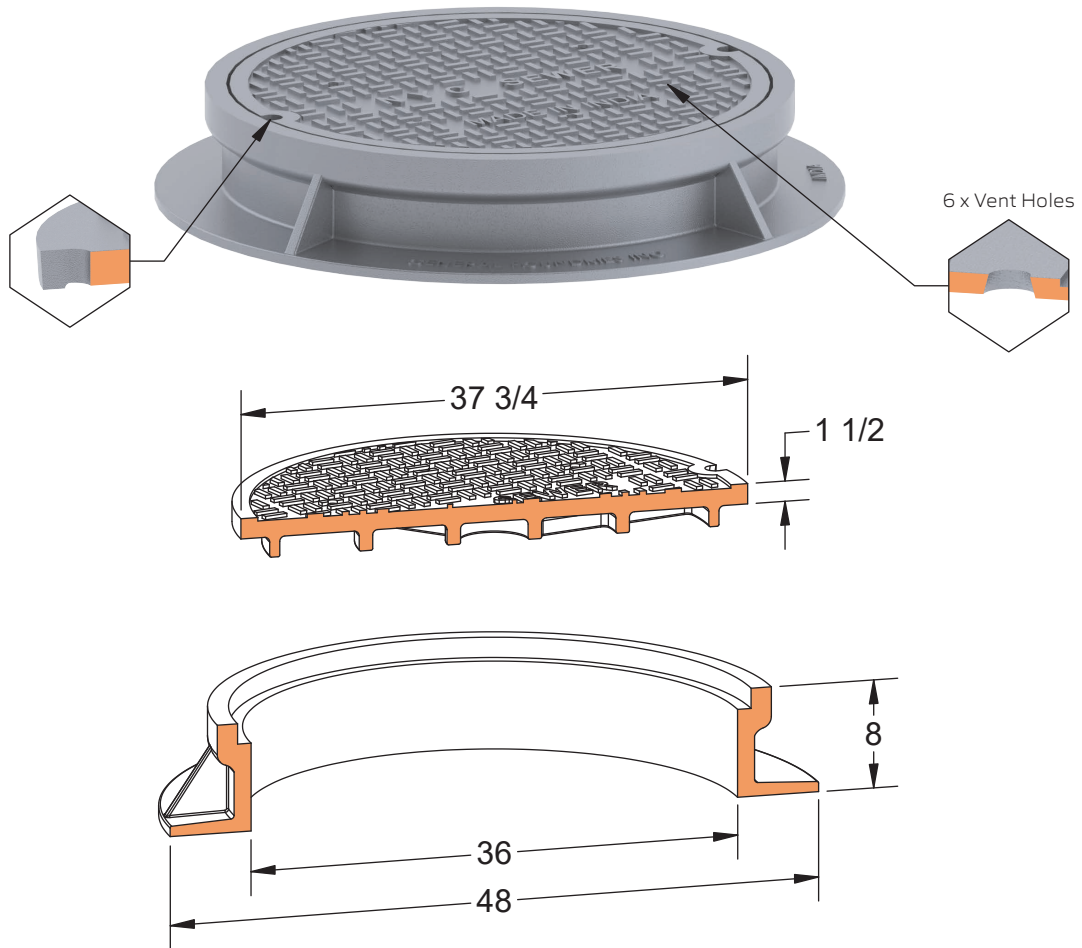
Risers Available



Grates Available

**PRODUCT #13685**

36" Cleanout Frame & Cover



**Available Markings**

NYC Sewer

**Notes**

Conforms to NYCDEP STD. DWG. SE41



Heavy Duty



AASHTO M306

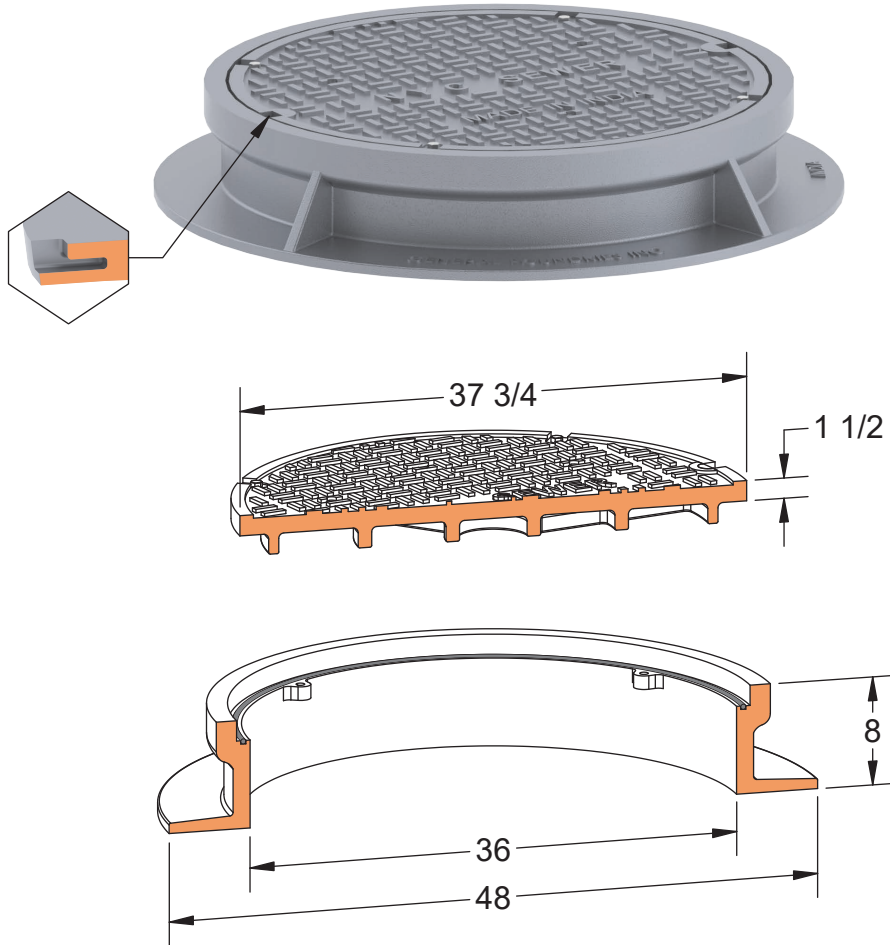


ASTM A48



Gray Iron Class 35B

**PRODUCT #13685-WT**  
36" Cleanout Watertight Frame & Cover



**Available Markings**  
NYC Sewer

**Notes**

Conforms to NYCDEP STD. DWG. SE41



Heavy Duty



AASHTO M306



ASTM A48



Gray Iron Class 35B



Bolted



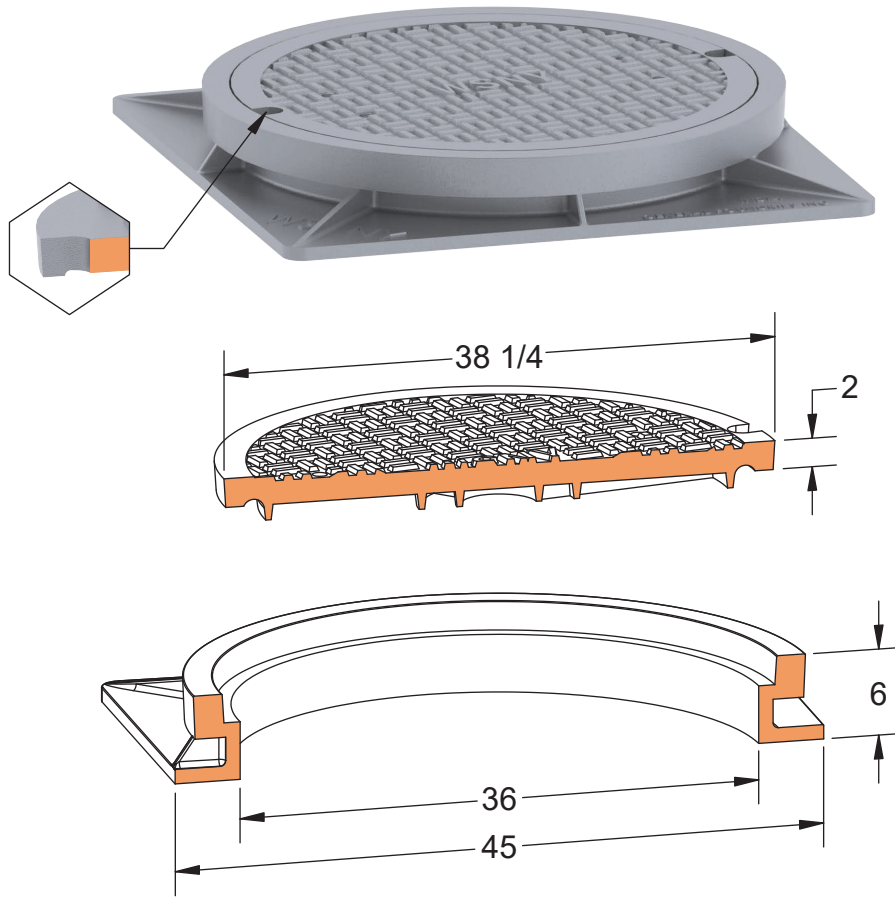
Gasket



Watertight

**PRODUCT #13861**

36" x 6" Access Frame & Cover



**Available Markings**

WSNY

**Notes**

Conforms to NYCDEP STD. DWG 18583-Z



Heavy  
Duty



AASHTO  
M306



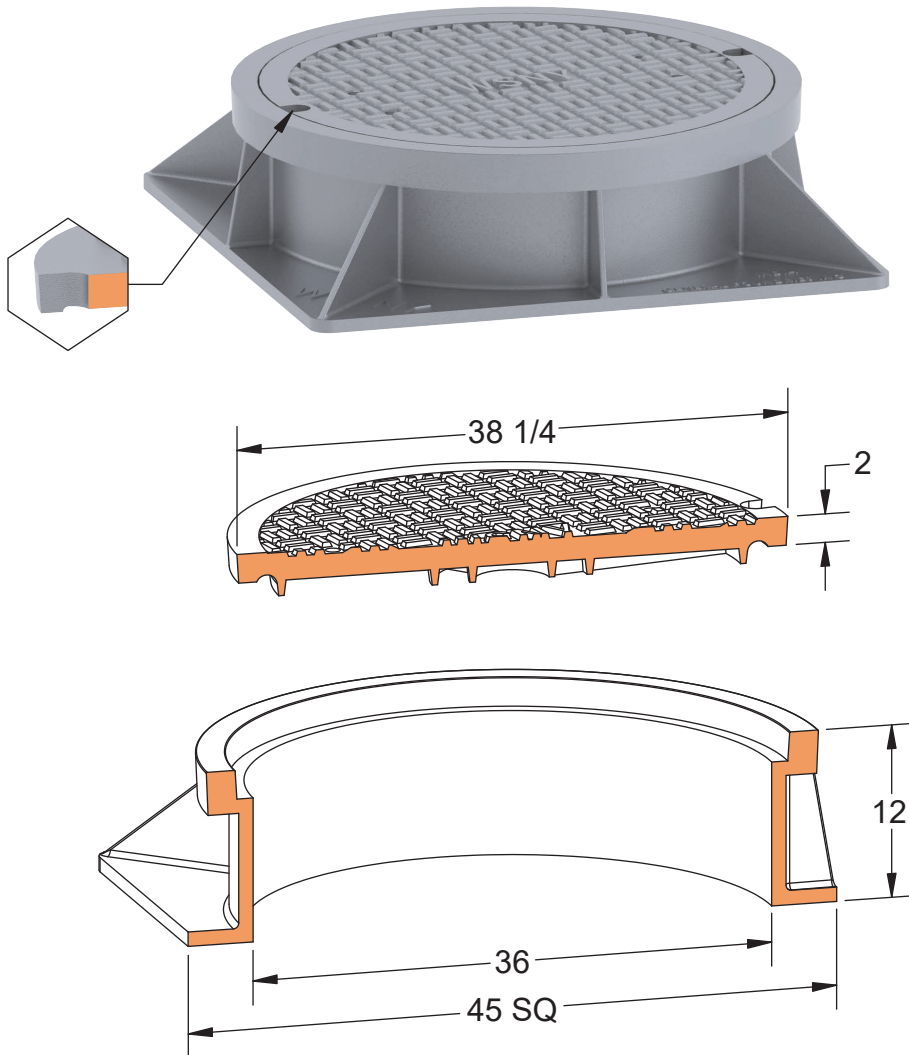
ASTM  
A48



Gray Iron  
Class 35B

**PRODUCT #13812**

36" x 12" Access Frame & Cover



**Available Markings**

WSNY

**Notes**

Conforms to NYCDEP STD. DWG 18583-Z



Heavy Duty



AASHTO M306



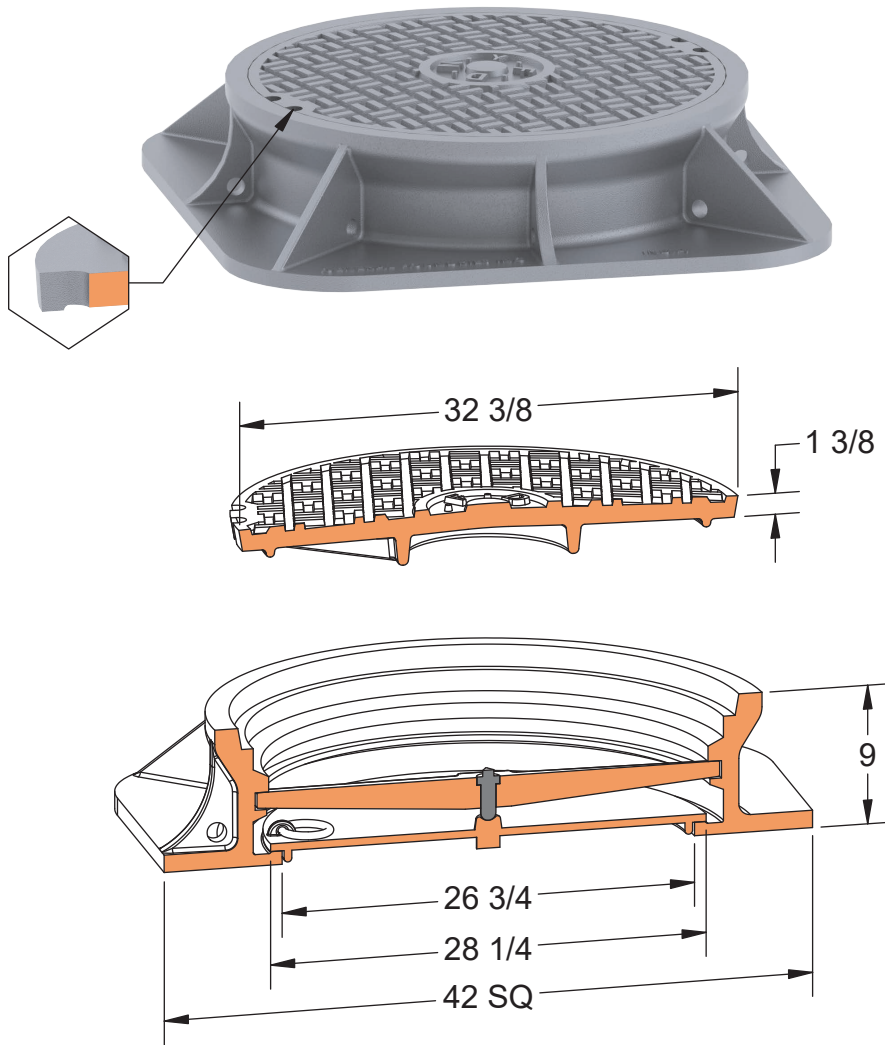
ASTM A48



Gray Iron Class 35B

**PRODUCT #FD140**

NYC Fire Department Watertight Frame & Cover



**Available Markings**  
FDNY



Heavy Duty



AASHTO M306



ASTM A48



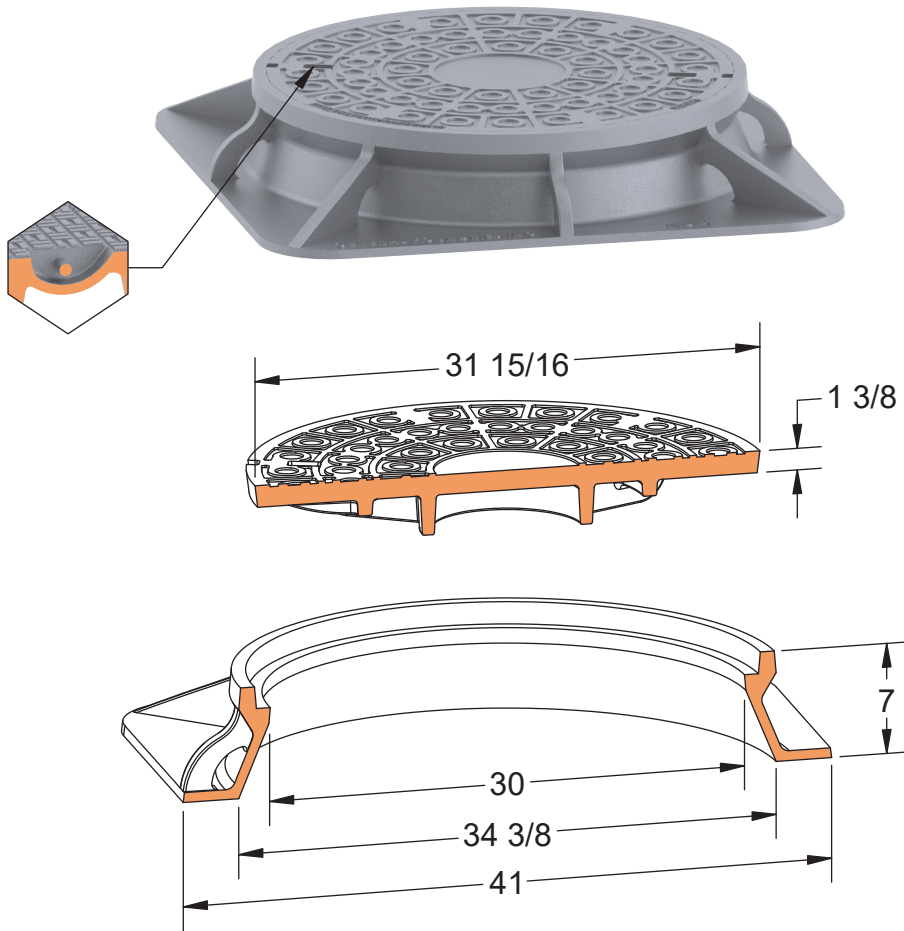
Gray Iron Class 35B



Watertight

**PRODUCT #13273**

Q87 Utility Frame & Cover



**Available Markings**

- Communication
- Con Edison
- DEP Communication
- DEP Electric
- Electric



Heavy  
Duty



AASHTO  
M306



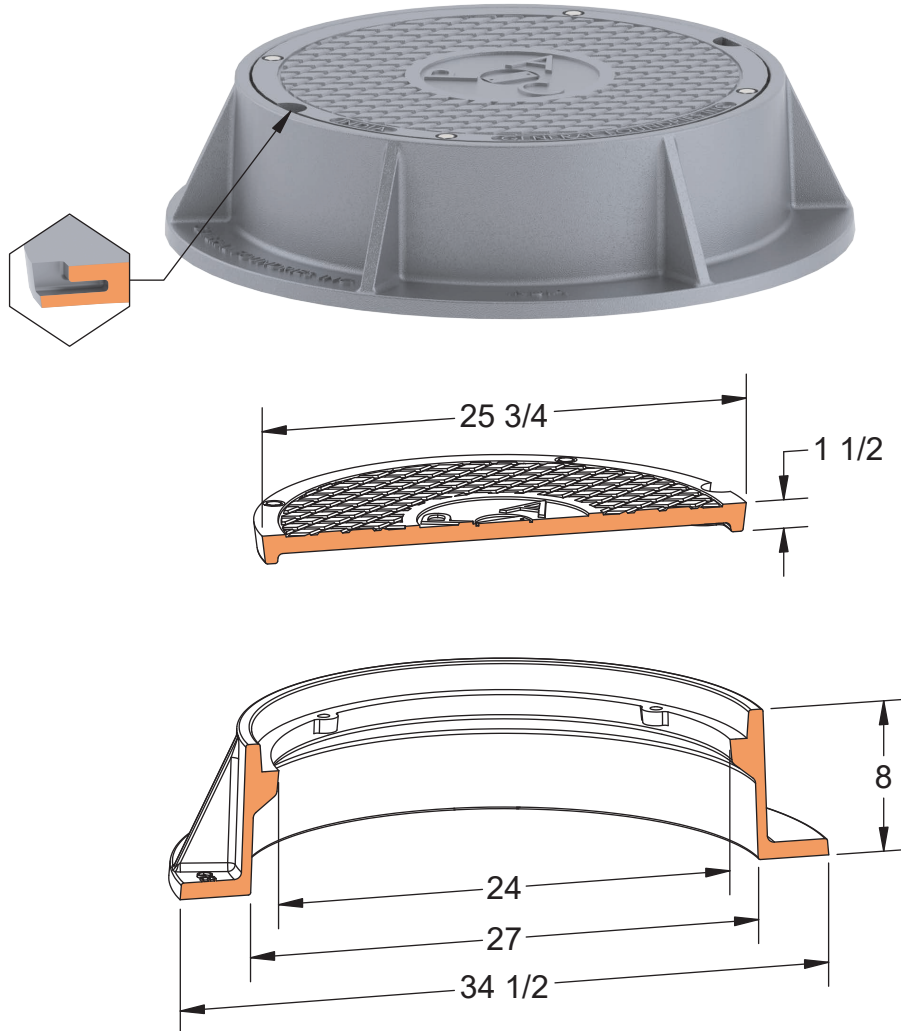
ASTM  
A48



Gray Iron  
Class 35B

**PRODUCT #12686PA**

Port Authority 25-3/4" x 8" Bolted Frame & Cover



**Available Markings**

PAC

PAD

PAE

PAS (with additional lugs for aluminum silt bucket)

PAW



Heavy Duty



AASHTO M306



ASTM A48



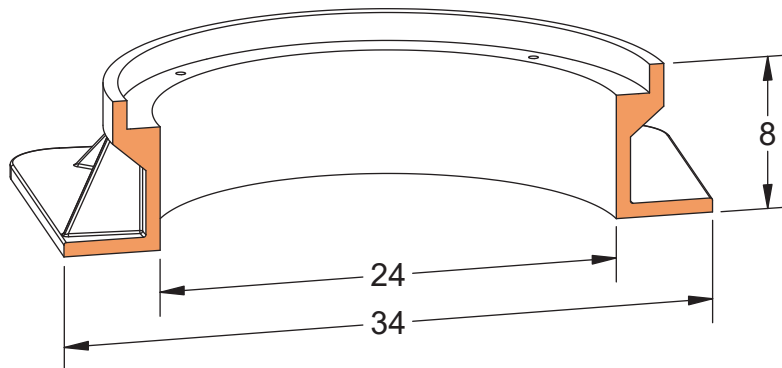
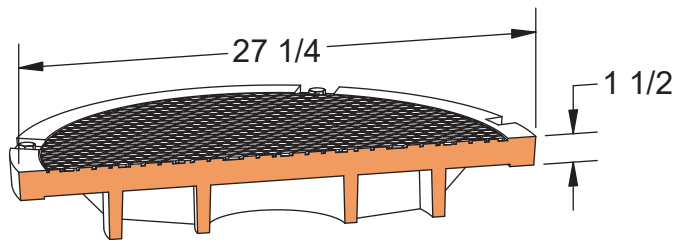
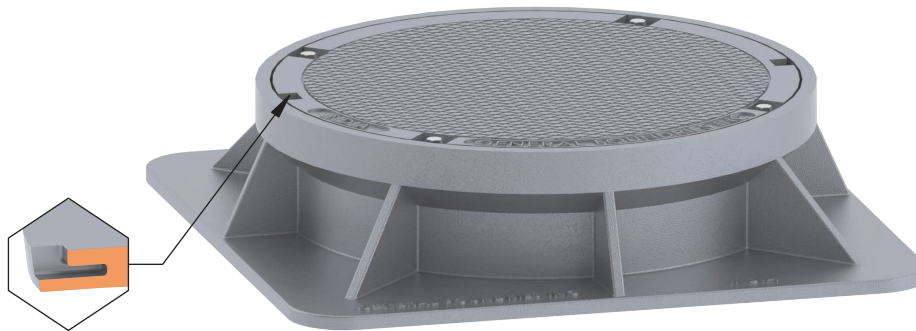
Gray Iron Class 35B



Bolted








**PRODUCT #12786PA**

Port Authority 27-1/4" x 8" Bolted Frame & Cover



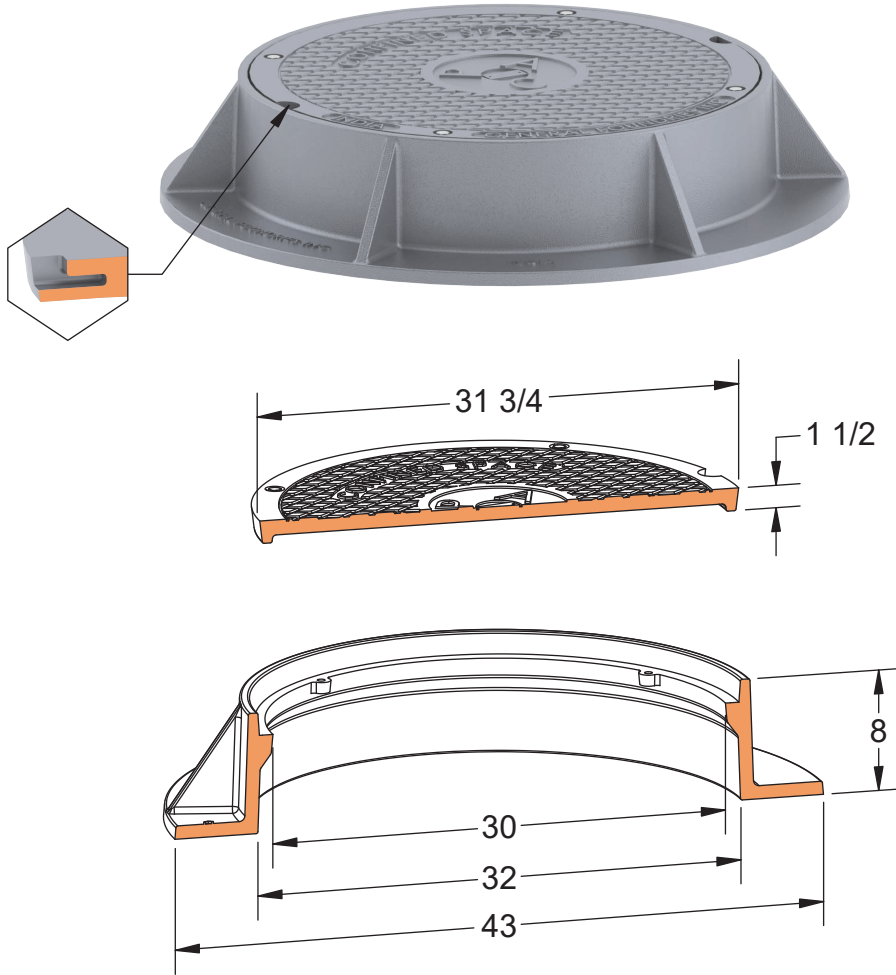
**Available Markings**

Plain

			Frame	Cover		
						
Airport Rated	Heavy Duty	AASHTO M306	ASTM A48	Gray Iron Class 35B	Ductile Iron	Bolted

**PRODUCT #13286PA**

Port Authority 31-3/4" x 8" Bolted Frame & Cover



**Available Markings**

- PAC
- PAD
- PAE
- PAS (with additional lugs for aluminum silt bucket)
- PAW



Heavy Duty



AASHTO M306



ASTM A48



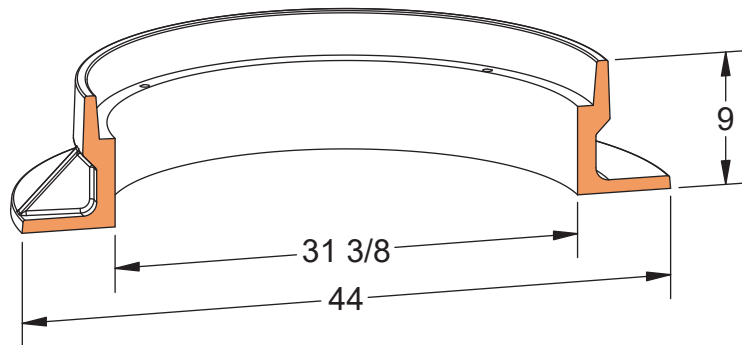
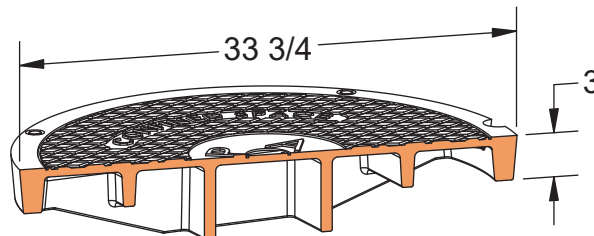
Gray Iron Class 35B



Bolted

**PRODUCT #13496PAS**

Port Authority 33-3/4" x 9" Bolted Frame & Cover



**Available Markings**

PAC

PAD

PAE

PAS (with additional lugs for aluminum silt bucket)

PAW



Heavy  
Duty



AASHTO  
M306



ASTM  
A48



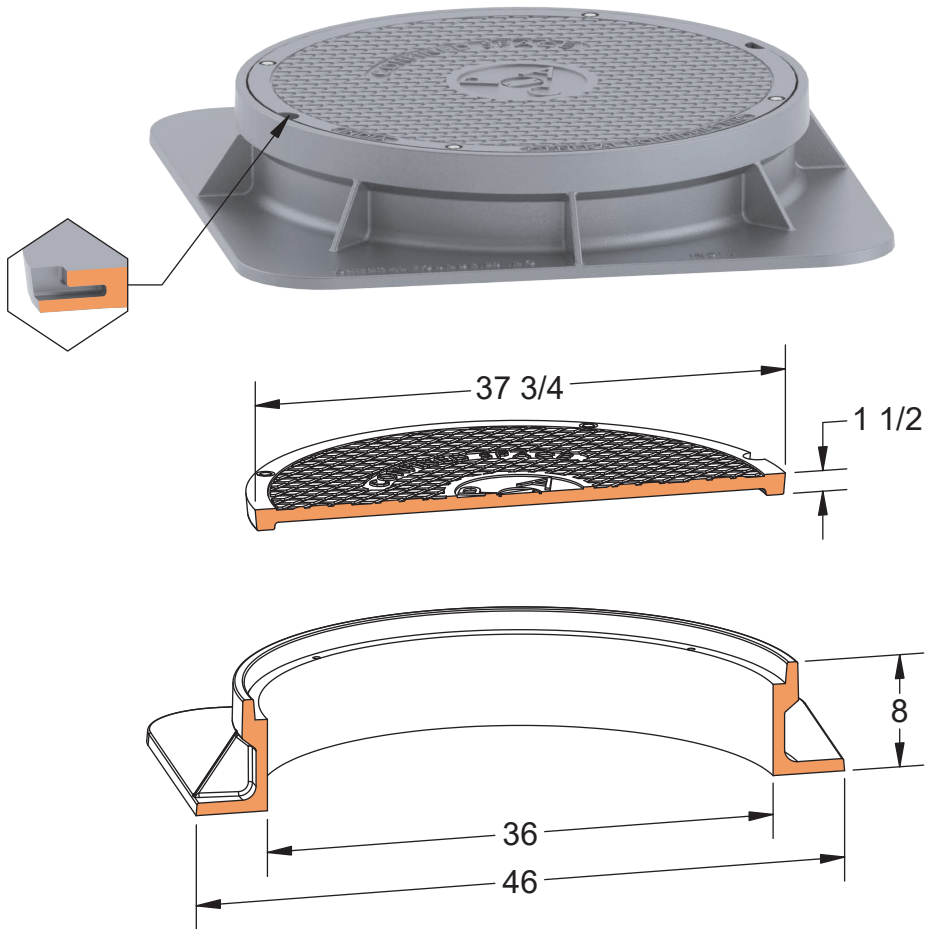
Gray Iron  
Class 35B



Bolted

**PRODUCT #13886PA**

Port Authority 37-3/4" x 8" Bolted Frame & Cover



**Available Markings**

PAC  
PAE



Heavy  
Duty



AASHTO  
M306



ASTM  
A48



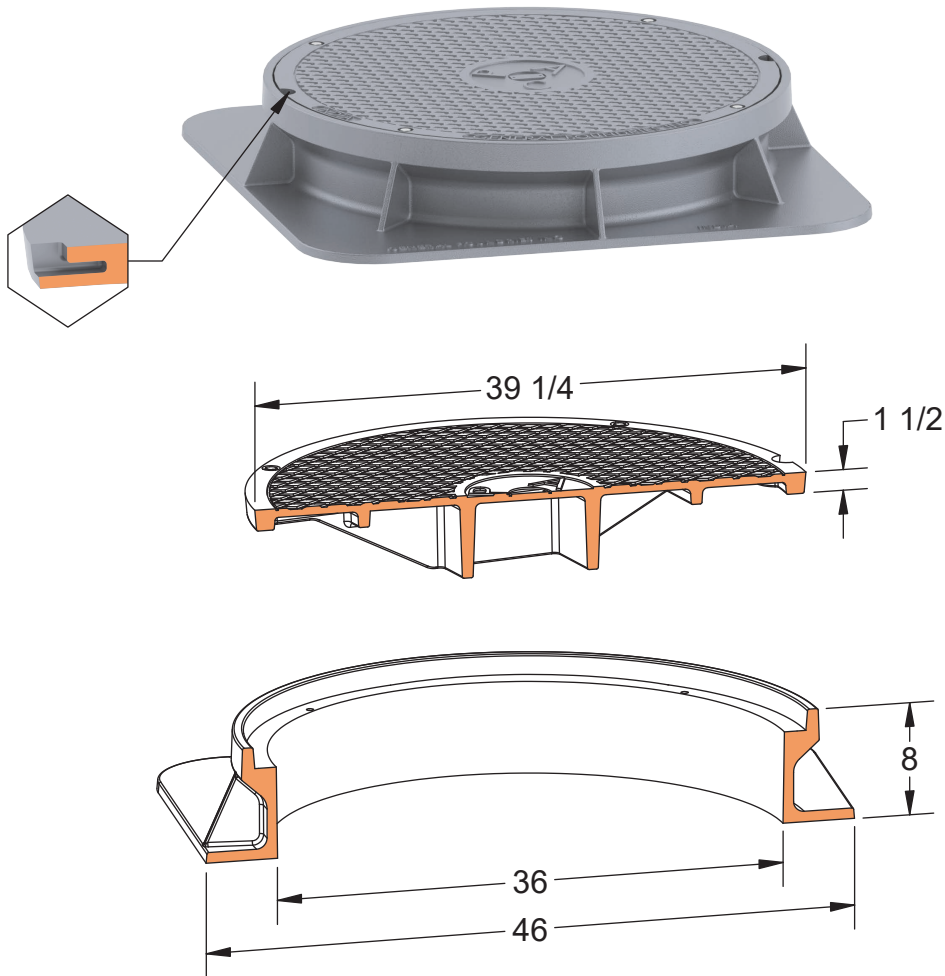
Gray Iron  
Class 35B



Bolted








**PRODUCT #13986PA**

Port Authority 39-1/4" x 8" Bolted Frame & Cover



**Available Markings**

PAC  
PAE

			Frame	Cover			
							
Airport Rated	Heavy Duty	AASHTO M306	ASTM A48	Gray Iron Class 35B	Ductile Iron	Bolted	

**Manhole Frames and Grates Summary**

Summary of manhole frames and grates listed in order of smallest **clear opening** and **frame height**.

Product	Grate Diameter	Seat Height	Clear Opening	Frame Seat ID	Frame Seat OD	Frame Height	Load Rating	Flow Area(in <sup>2</sup> )
11242-ADA	10-1/4	1-1/2	8-1/2	11-1/2	14-1/2	4	M306	20
11232-BP	12	1	10-1/2	12-1/4	16-1/2	3	Light Duty	35
11542-ADA	13-1/4	1-1/2	11-1/2	14-1/2	17-1/2	4	M306	20
11842-ADA	16-1/4	1-1/2	14-1/2	17-1/2	20-1/2	4	M306	35
11832-SLT	18	1	16-1/2	18-1/4	22-1/2	3	Light Duty	100
12032-SLT	20	1	18-1/2	20-1/4	24-1/2	3	M306	115
12432-SLT	23-3/4	1	22	24	28	3	Light Duty	150
12442-SLT	24	1-1/4	22-3/8	24-1/4	32	4	M306	150
12442-SQH	24	1-1/4	22-3/8	24-1/4	32	4	M306	140
12442-ADA	24	1-1/4	22-3/8	24-1/4	32	4	M306	95
12452-SLT	24	1	22-3/8	22-3/8	31	5	M306	150
12462-SLT	24	1-1/4	22-3/8	24	34	6	M306	150
12462-SQH	24	1-1/4	22-3/8	24	34	6	M306	140
12462-ADA	24	1-1/4	22-3/8	24	34	6	M306	95
12482-SLT	24	1-1/4	22-3/8	24-5/8	34	8	M306	150
12482-SQH	24	1-1/4	22-3/8	24-5/8	34	8	M306	140
12482-ADA	24	1-1/4	22-3/8	24-5/8	34	8	M306	95
12444-SLT	24	1-1/4	22-1/2	24-3/8	30 x 30	4	M306	150
12444-SQH	24	1-1/4	22-1/2	24-3/8	30 x 30	4	M306	140
12444-ADA	24	1-1/4	22-1/2	24-3/8	30 x 30	4	M306	95
12472-SLT	24	1-1/4	22-1/2	24-1/2	34	7	M306	150
12472-SQH	24	1-1/4	22-1/2	24-1/2	34	7	M306	140
12472-ADA	24	1-1/4	22-1/2	24-1/2	34	7	M306	95
13002-SLT	30	5/8	23-1/2	-	-	-	M306	130
12642-SLT	25-3/4	1-3/8	24	26	34	4	M306	175
12662-SLT	25-3/4	1-3/8	24	26	34	6	M306	175
12682-SLT	25-3/4	1-3/8	24	26	34	8	M306	175
12684-SLT	25-3/4	1-3/8	24	32	39	8	M306	175
12782-SLT	26-3/4	1-1/2	24	27-9/16	39	8	M306	165
12782-ADA	26-3/4	1-1/2	24	27-9/16	39	8	M306	145
12646-SLT	26	1-1/8	24-1/4	26-1/2	34-1/4	4	M306	180
12646-SQH	26	1-1/8	24-1/4	26-1/2	34-1/4	4	M306	235
12646-ADA	26	1-1/8	24-1/4	26-1/2	34-1/4	4	M306	130
12666-SLT	26	1-1/8	24-1/4	26-1/2	34-1/4	6	M306	180
12660-SQH	26	1-1/8	24-1/4	26-1/2	34-1/4	6	M306	235
12666-ADA	26	1-1/8	24-1/4	26-1/2	34-1/4	6	M306	130
12702-BHV	27-1/2	3/4	24-1/4	25-1/2	34	6	Light Duty	135
12686-SLT	26	1-1/8	24-1/4	26-1/2	34-1/4	8	M306	180
12686-SQH	26	1-1/8	24-1/4	26-1/2	34-1/4	8	M306	235

(Part 1 of 2)

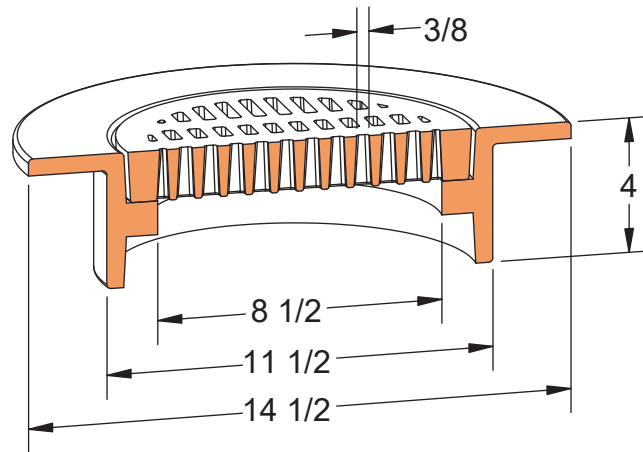
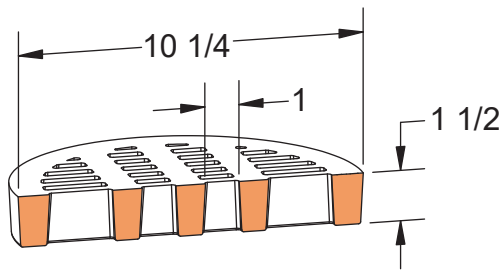
**Manhole Frames and Grates Summary**

Summary of manhole frames and grates listed in order of smallest **clear opening** and **frame height**.

Product	Grate Diameter	Seat Height	Clear Opening	Frame Seat ID	Frame Seat OD	Frame Height	Load Rating	Flow Area(in <sup>2</sup> )
12686-ADA	26	1-1/8	24-1/4	26-1/2	34-1/4	8	M306	130
13252-SLT	31-5/8	1-3/4	30	32-1/2	39	4	M306	250
13262-SLT	31-5/8	1-3/4	30	32-1/2	39	6	M306	250
13272-SLT	32	1-1/2	30	32	42	6-1/2	M306	270
13282-SLT	31-5/8	1-3/4	30	32-1/2	39	8	M306	250
13242-SLT	32	1-1/2	30-1/4	32-1/4	38	4	M306	270
13642-SLT	37-3/4	1-1/2	36	38	48	4	M306	345
13662-SLT	37-3/4	1-1/2	36	38	48	6	M306	345
13682-SLT	37-3/4	1-1/2	36	38	48	8	M306	345

*(Part 2 of 2)*

**PRODUCT #11242-ADA**  
Drop in Frame & Grate for 12" Pipe



**Flow Area**  
~20 in<sup>2</sup>



Heavy Duty



AASHTO M306



ASTM A48



Gray Iron Class 35B



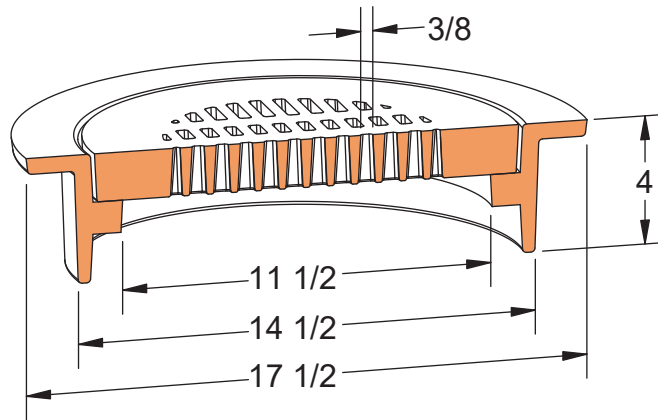
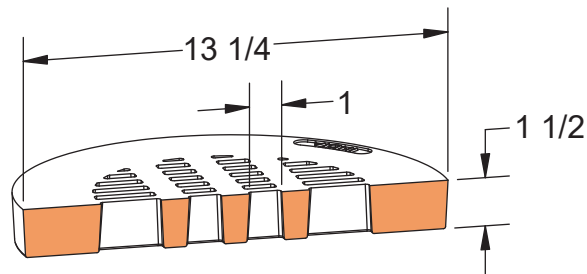
ADA Compliant



Reversible

**PRODUCT #11542-ADA**

Drop in Frame & Grate for 15" Pipe



**Flow Area**  
~20 in<sup>2</sup>



Heavy Duty



AASHTO M306



ASTM A48



Gray Iron Class 35B

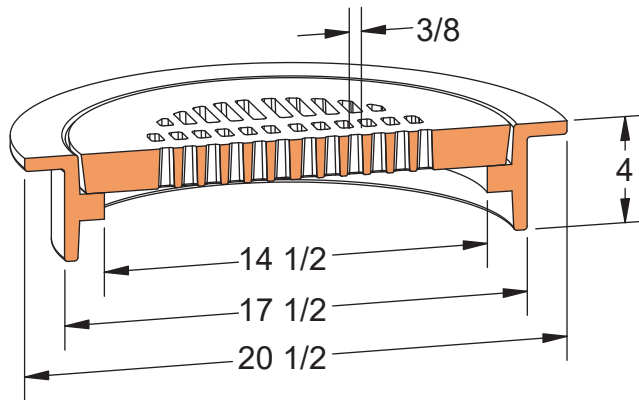
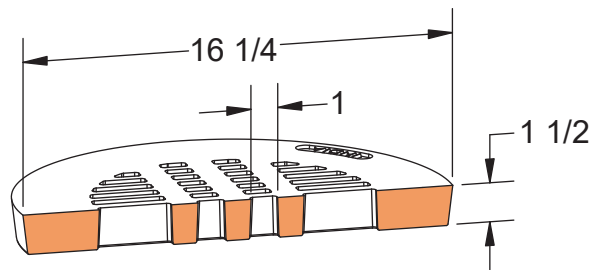


ADA Compliant



Reversible

**PRODUCT #11842-ADA**  
Drop in Frame & Grate for 18" Pipe



**Flow Area**  
~35 in<sup>2</sup>



Heavy Duty



AASHTO M306



ASTM A48



Gray Iron Class 35B

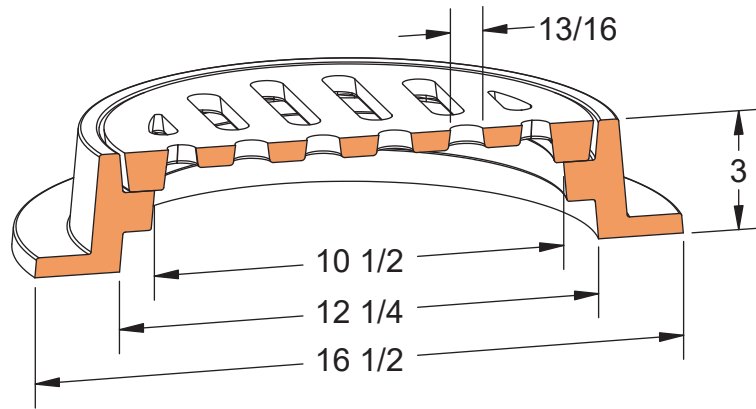
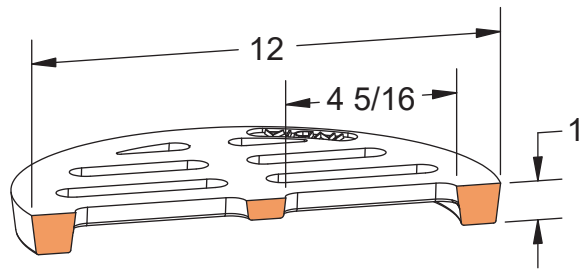


ADA Compliant



Reversible

PRODUCT #11232-BP  
12" x 3" Frame & Grate



Flow Area  
~35 in<sup>2</sup>



Light Duty



ASTM A48



Gray Iron Class 35B



Bicycle Safe

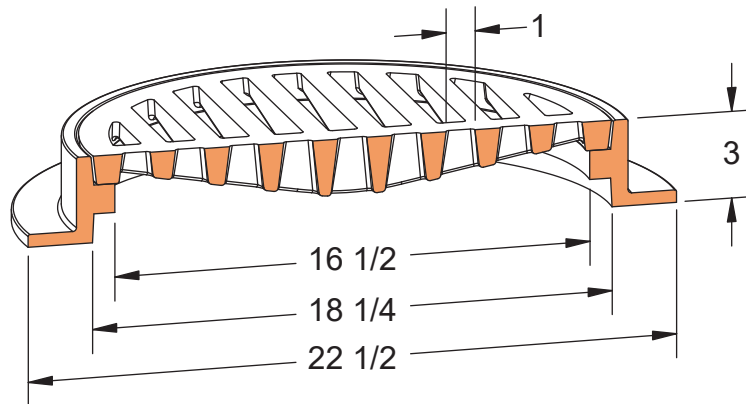
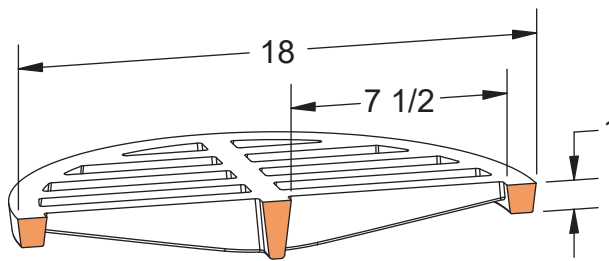
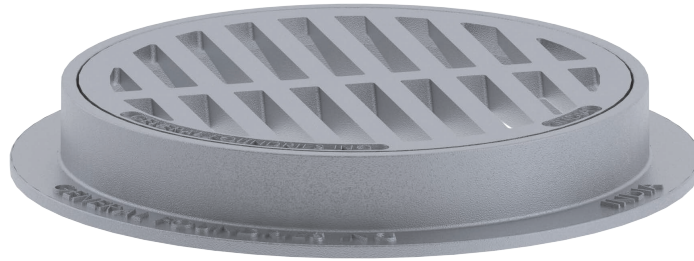


Reversible



Solid Cover Available

**PRODUCT #11832-SLT**  
18" x 3" Frame & Grate



**Flow Area**  
~100 in<sup>2</sup>



Light  
Duty



ASTM  
A48



Gray Iron  
Class 35B

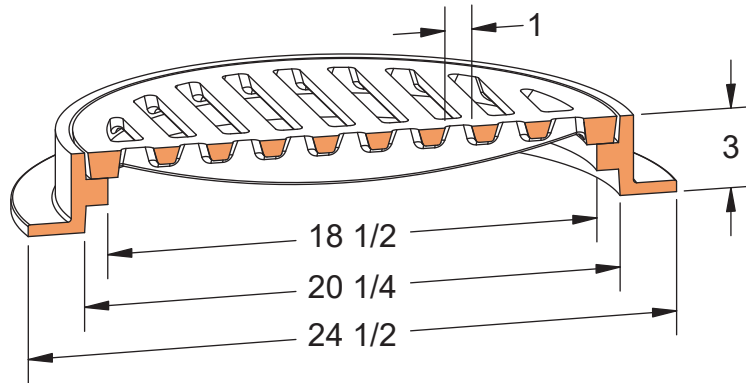
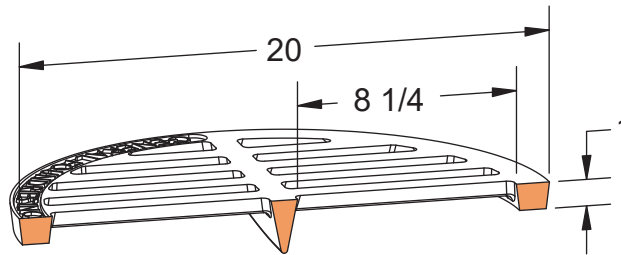


Reversible



Solid Cover  
Available

**PRODUCT #12032-SLT**  
20" x 3" Frame & Grate



**Flow Area**  
~115 in<sup>2</sup>



Light  
Duty



ASTM  
A48



Gray Iron  
Class 35B

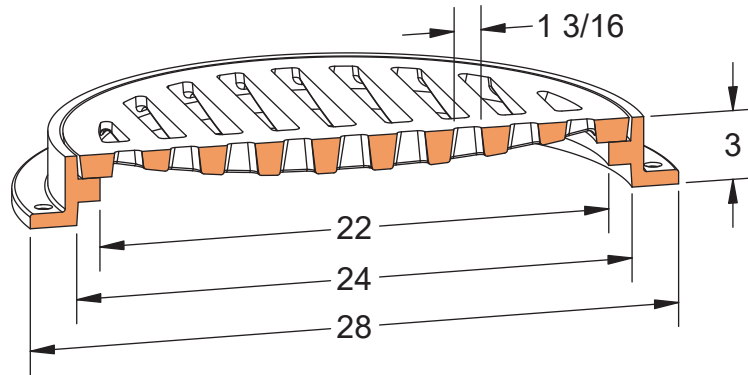
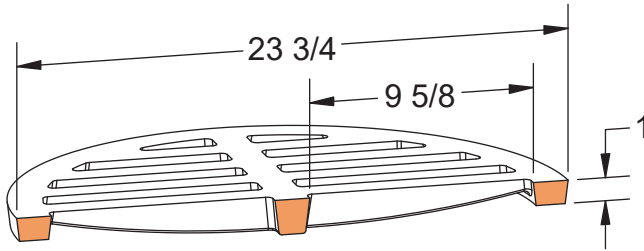


Reversible



Solid Cover  
Available

**PRODUCT #12432-SLT**  
24" x 3" Frame & Grate



**Flow Area**  
~150 in<sup>2</sup>



Light  
Duty



ASTM  
A48



Gray Iron  
Class 35B

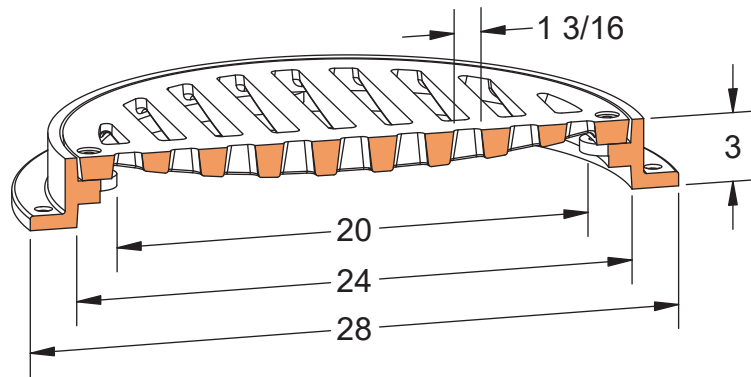
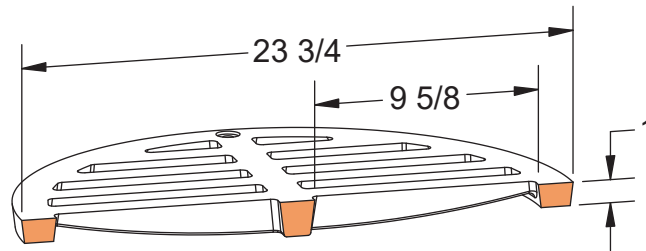
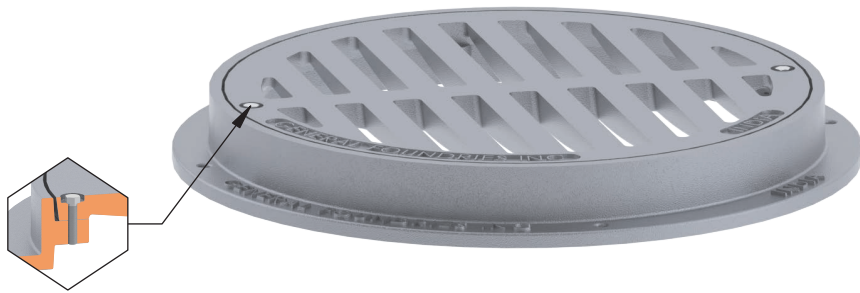


Reversible



Solid Cover  
Available

**PRODUCT #12432-BLT-SLT**  
24" x 3" Bolted Frame & Grate



**Flow Area**  
~150 in<sup>2</sup>



Light  
Duty



ASTM  
A48



Gray Iron  
Class 35B

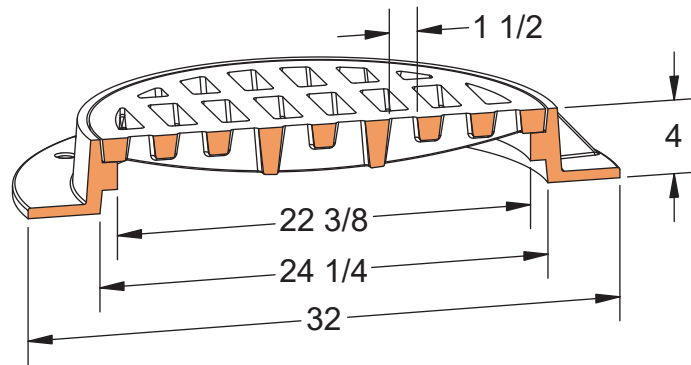
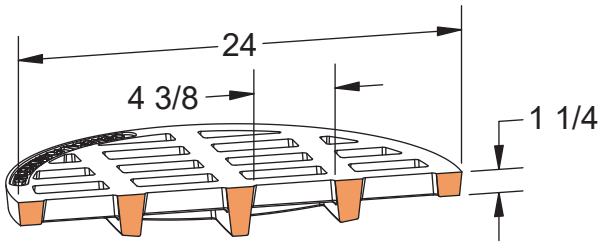
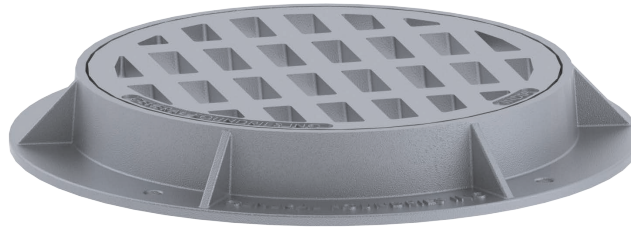


Bolted



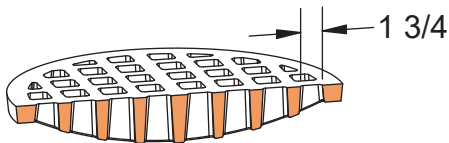
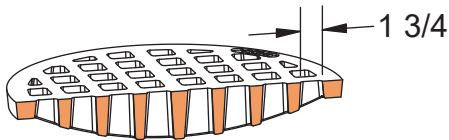
Solid Cover  
Available

**PRODUCT #12442-SLT**  
24" x 4" Frame & Grate



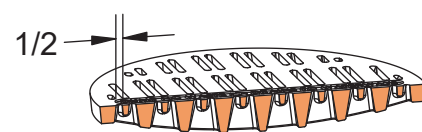
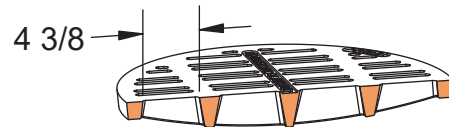
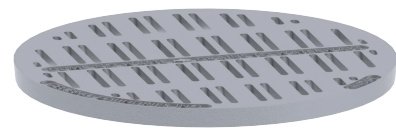
**Flow Area**  
~150 in<sup>2</sup>

**12442-SQH**



**Flow Area**  
~140 in<sup>2</sup>

**12442-ADA**



**Flow Area**  
~95 in<sup>2</sup>



Heavy Duty



AASHTO M306



ASTM A48



Gray Iron Class 35B



Reversible



Solid Cover Available

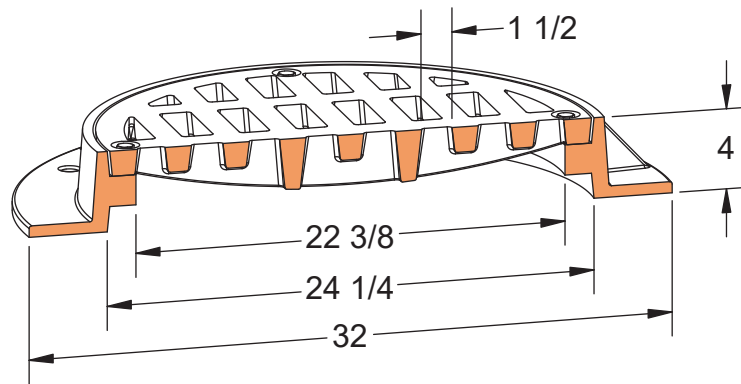
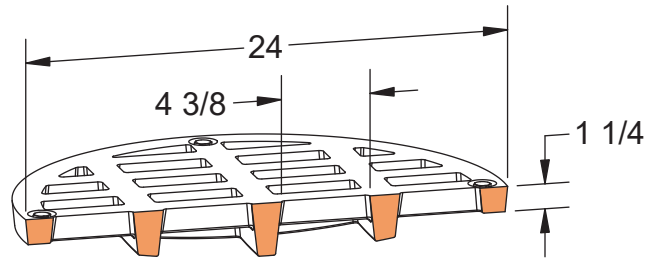


Risers Available



ADA Compliant

**PRODUCT #12442-BLT-SLT**  
24" x 4" Bolted Frame & Grate



**Flow Area**  
~150 in<sup>2</sup>



Heavy Duty



AASHTO M306



ASTM A48



Gray Iron Class 35B

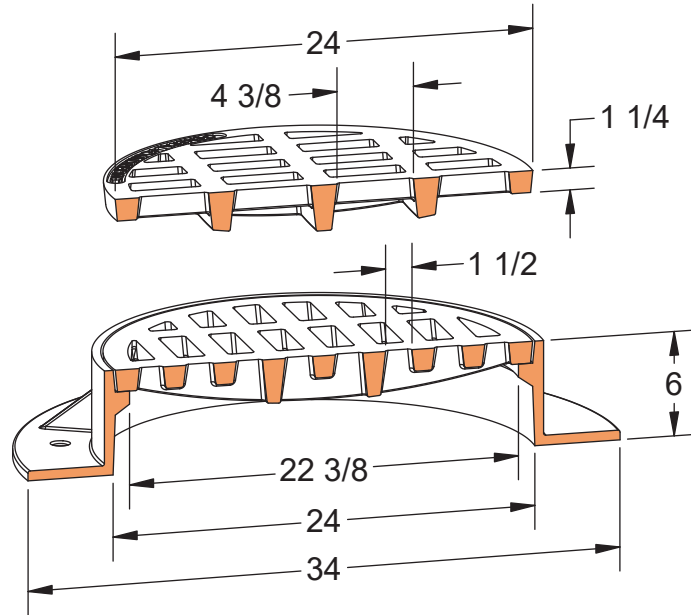


Bolted



Solid Cover Available

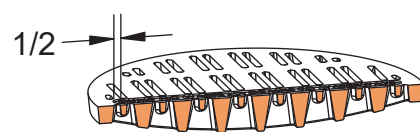
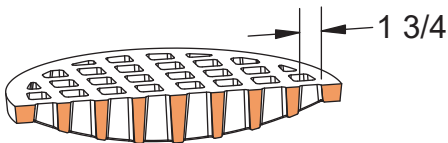
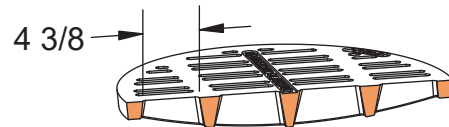
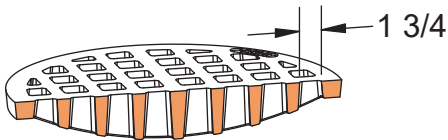
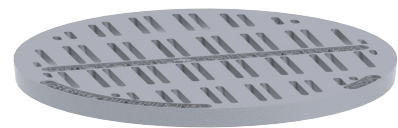
**PRODUCT #12462-SLT**  
24" x 6" Frame & Grate



**12462-SQH**

**Flow Area**  
~150 in<sup>2</sup>

**12462-ADA**



**Flow Area**  
~140 in<sup>2</sup>

**Flow Area**  
~95 in<sup>2</sup>



Heavy Duty



AASHTO M306



ASTM A48



Gray Iron Class 35B



Solid Cover Available

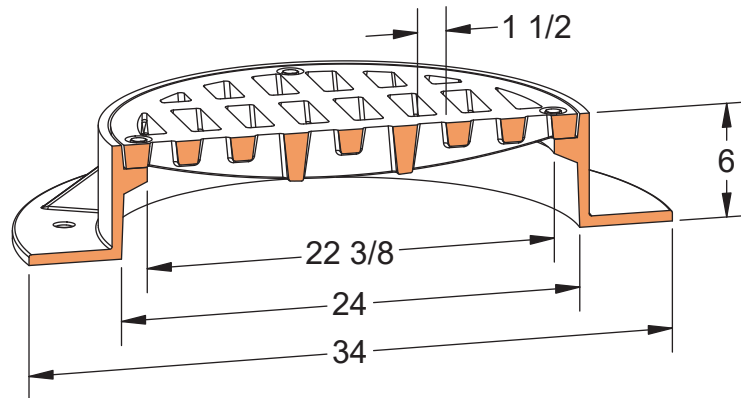
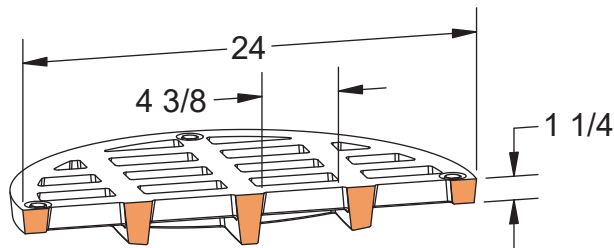


Risers Available



ADA Compliant

**PRODUCT #12462-BLT-SLT**  
24" x 6" Bolted Frame & Grate



**Flow Area**  
~150 in<sup>2</sup>



Heavy Duty



AASHTO M306



ASTM A48



Gray Iron Class 35B

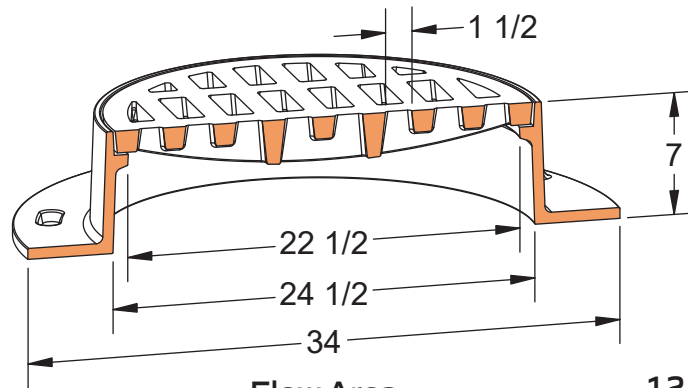
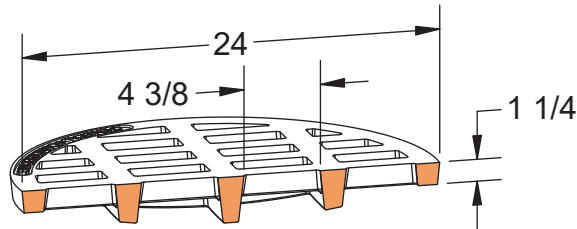


Bolted



Solid Cover Available

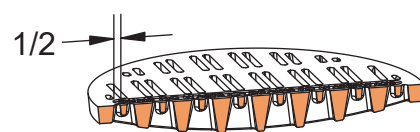
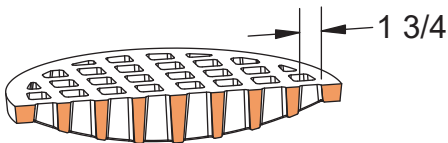
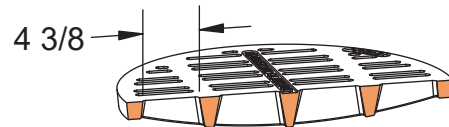
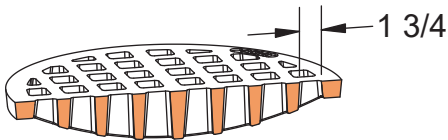
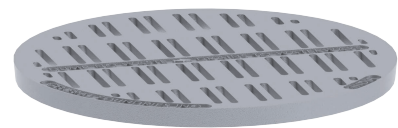
**PRODUCT #12472-SLT**  
24" x 7" Frame & Grate



**12472-SQH**

**Flow Area**  
~150 in<sup>2</sup>

**12472-ADA**



**Flow Area**  
~140 in<sup>2</sup>

**Flow Area**  
~95 in<sup>2</sup>



Heavy Duty



AASHTO M306



ASTM A48



Gray Iron Class 35B



Solid Cover Available

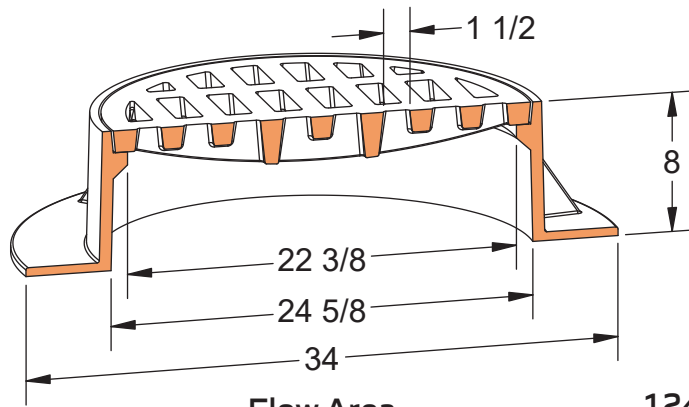
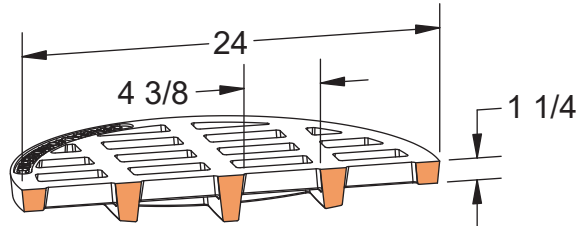
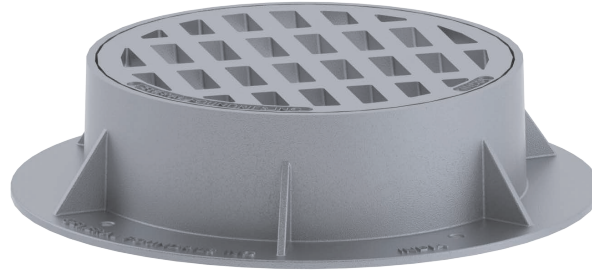


Risers Available



ADA Compliant

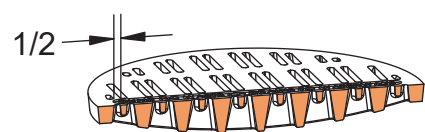
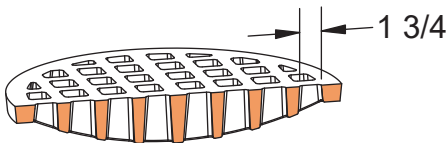
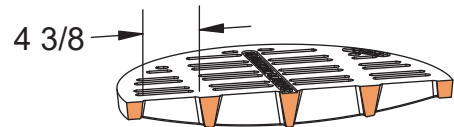
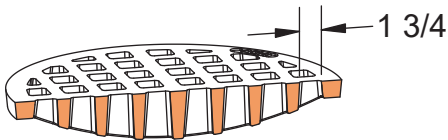
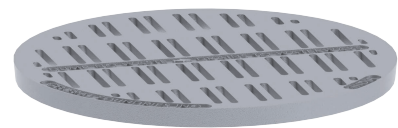
**PRODUCT #12482-SLT**  
24" x 8" Frame & Grate



**12482-SQH**

**Flow Area**  
~150 in<sup>2</sup>

**12482-ADA**



**Flow Area**  
~140 in<sup>2</sup>

**Flow Area**  
~95 in<sup>2</sup>



Heavy Duty



AASHTO M306



ASTM A48



Gray Iron Class 35B



Solid Cover Available

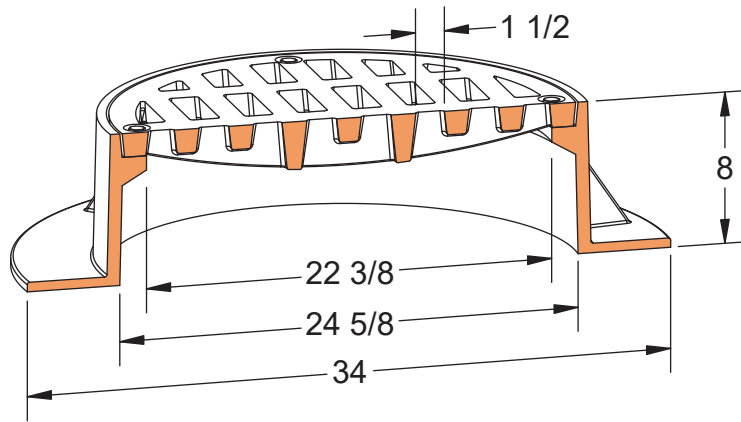
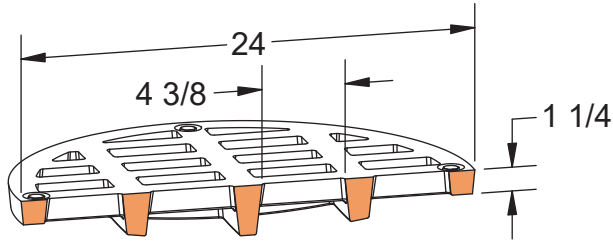
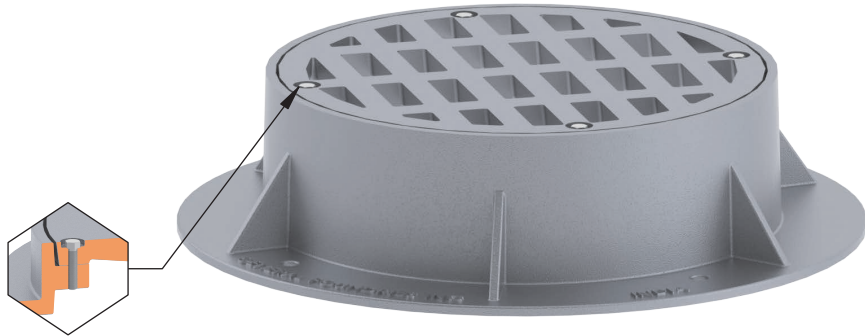


Risers Available



ADA Compliant

**PRODUCT #12482-BLT-SLT**  
24" x 8" Bolted Frame & Grate



**Flow Area**  
~150 in<sup>2</sup>



Heavy Duty



AASHTO M306



ASTM A48



Gray Iron Class 35B

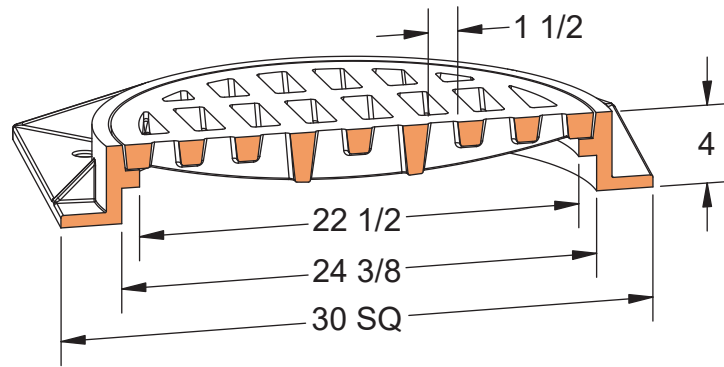
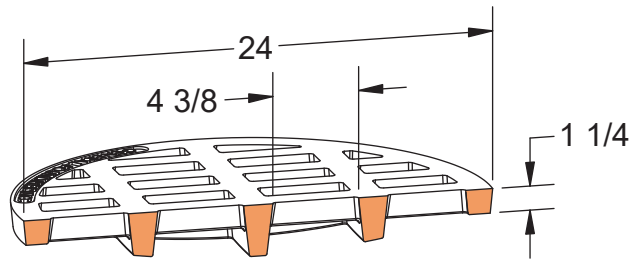
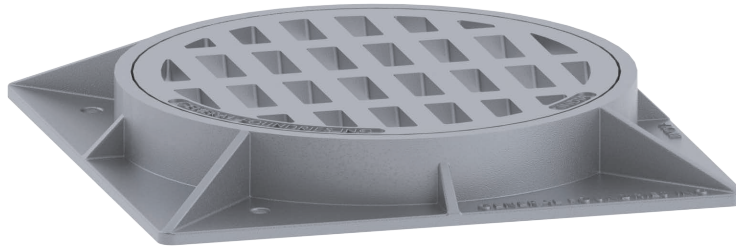


Bolted



Solid Cover Available

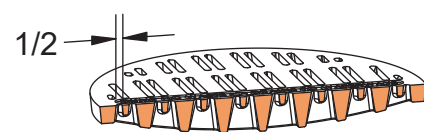
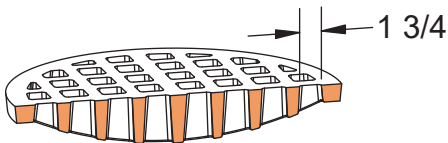
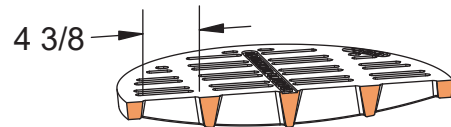
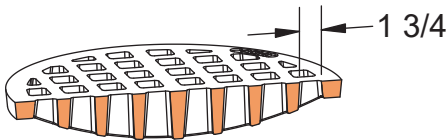
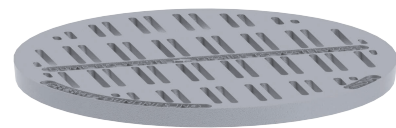
**PRODUCT #12444-SLT**  
24" x 4" Square Flange Frame & Grate



**12444-SQH**

**Flow Area**  
~150 in<sup>2</sup>

**12444-ADA**



**Flow Area**  
~140 in<sup>2</sup>

**Flow Area**  
~95 in<sup>2</sup>



Heavy Duty



AASHTO M306



ASTM A48



Gray Iron Class 35B



Solid Cover Available

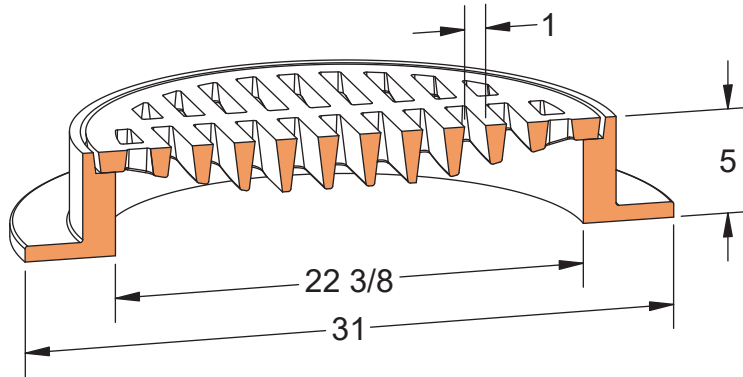
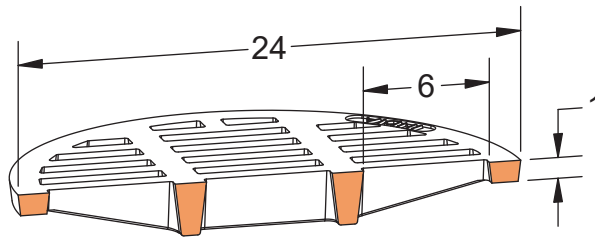


Risers Available



ADA Compliant

**PRODUCT #12452-SLT**  
Portland 24" x 5" Frame & Grate



**Flow Area**  
~150 in<sup>2</sup>



Heavy Duty



AASHTO M306



ASTM A48

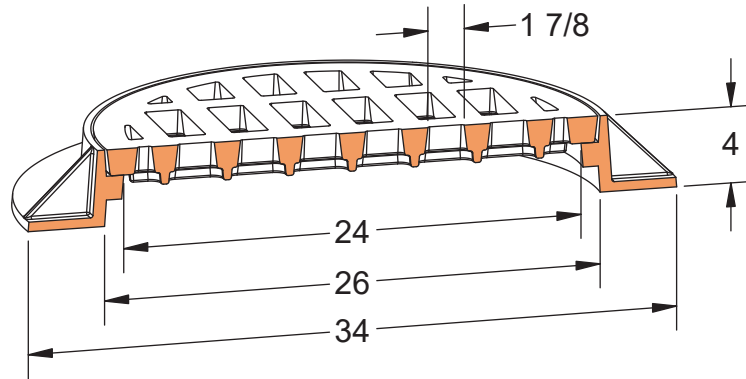
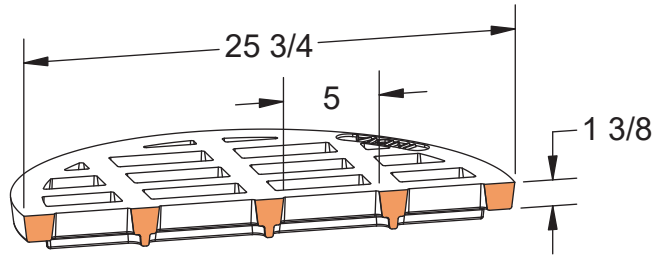
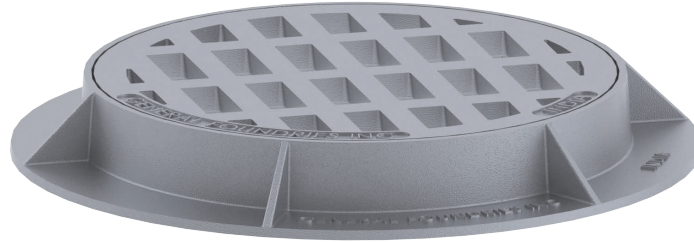


Gray Iron Class 35B



Solid Cover Available

PRODUCT #12642-SLT  
25-3/4" x 4" Frame & Grate



Flow Area  
~175 in<sup>2</sup>



Heavy Duty



AASHTO M306



ASTM A48



Gray Iron Class 35B



Reversible

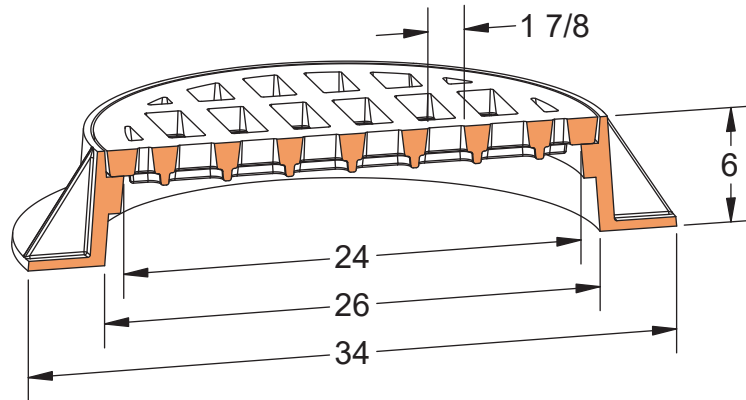
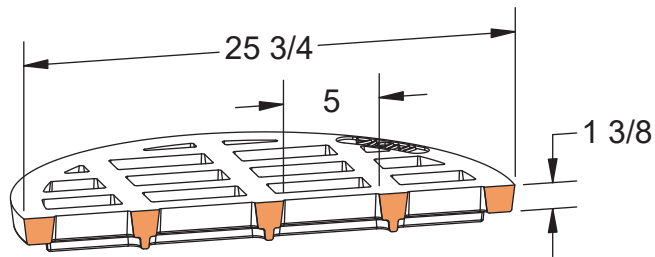
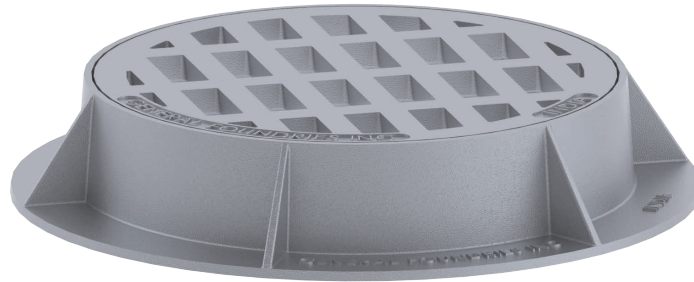


Solid Cover Available



Risers Available

PRODUCT #12662-SLT  
25-3/4" x 6" Frame & Grate



Flow Area  
~175 in<sup>2</sup>



Heavy Duty



AASHTO M306



ASTM A48



Gray Iron Class 35B

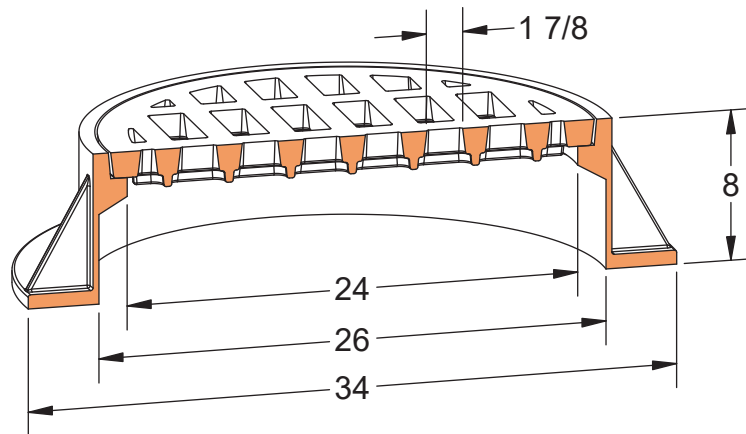
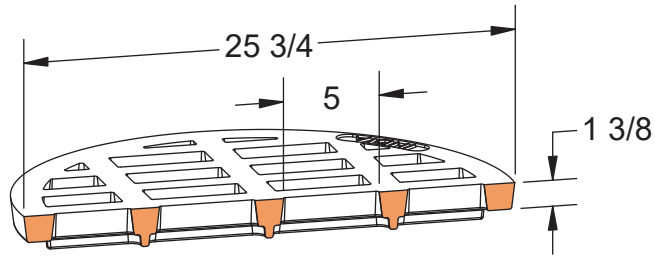
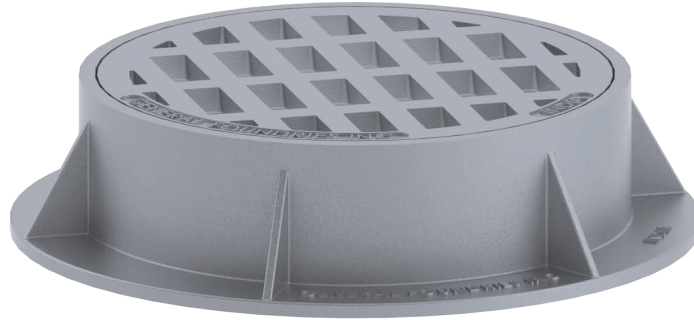


Solid Cover Available



Risers Available

PRODUCT #12682-SLT  
25-3/4" x 8" Frame & Grate



Flow Area  
~175 in<sup>2</sup>



Heavy Duty



AASHTO M306



ASTM A48



Gray Iron Class 35B

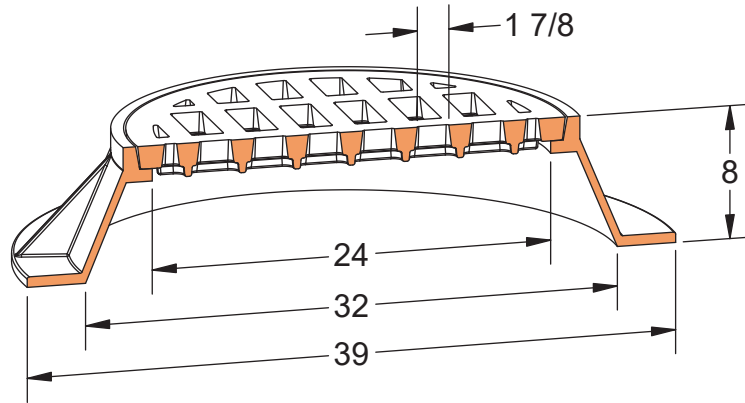
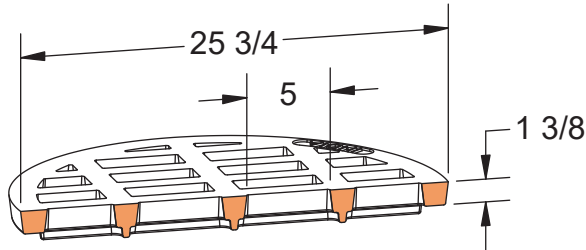
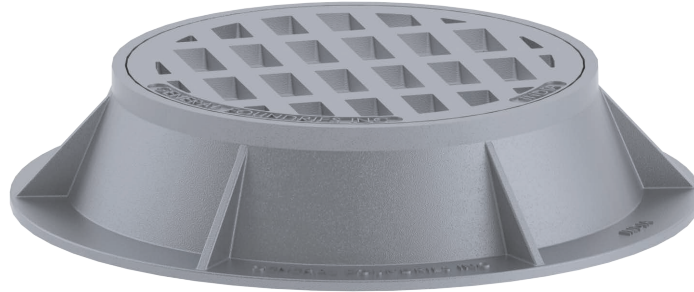


Solid Cover Available



Risers Available

PRODUCT #12684-SLT  
25-3/4" x 8" Frame & Grate



Flow Area  
~175 in<sup>2</sup>



Heavy Duty



AASHTO M306



ASTM A48



Gray Iron Class 35B



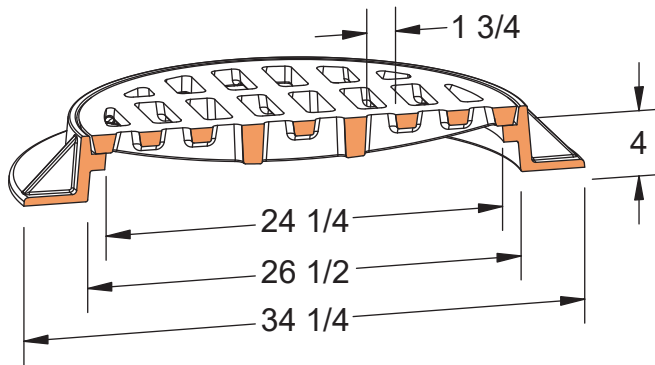
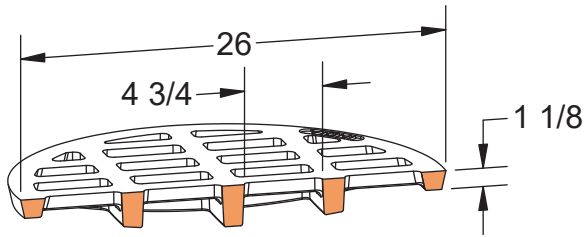
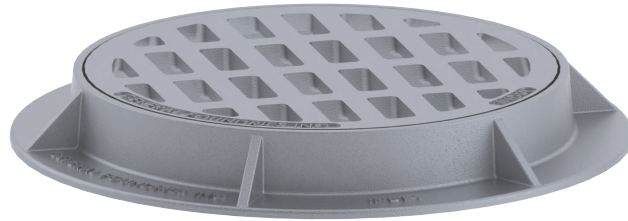
Solid Cover Available



Risers Available

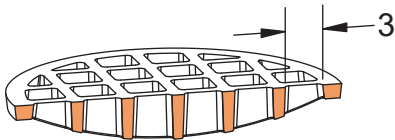
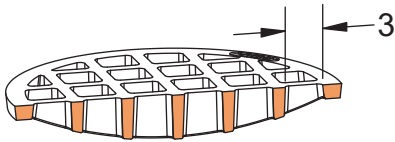
**PRODUCT #12646-SLT**

Massachusetts Standard 26" x 4" Frame & Grate



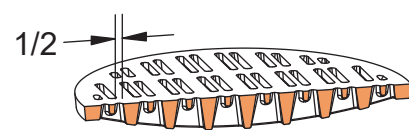
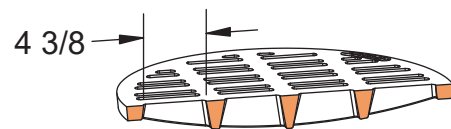
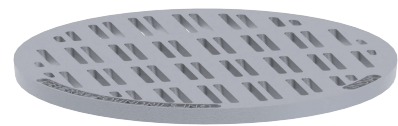
**Flow Area**  
~180 in<sup>2</sup>

**12646-SQH**



**Flow Area**  
~235 in<sup>2</sup>

**12646-ADA**



**Flow Area**  
~130 in<sup>2</sup>



Heavy Duty



AASHTO M306



ASTM A48



Gray Iron Class 35B



Solid Cover Available



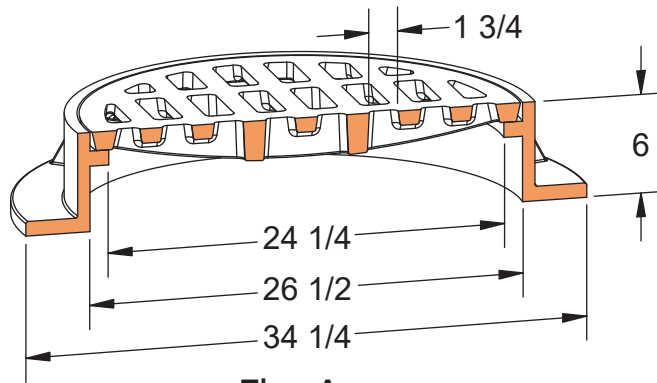
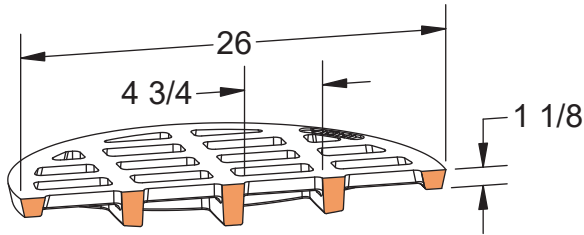
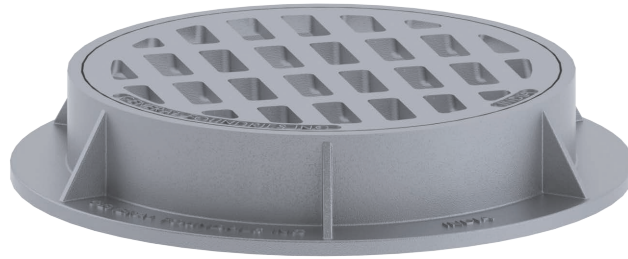
Risers Available



ADA Compliant

**PRODUCT #12666-SLT**

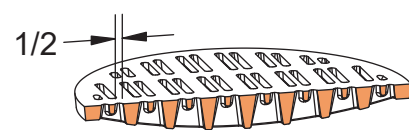
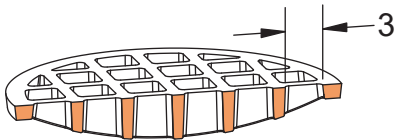
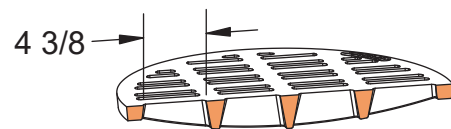
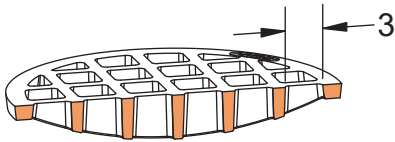
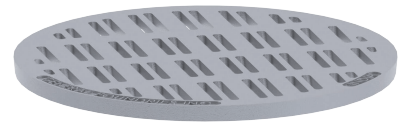
Massachusetts Standard 26" x 6" Frame & Grate



**12666-SQH**

**Flow Area**  
~180 in<sup>2</sup>

**12666-ADA**



**Flow Area**  
~235 in<sup>2</sup>

**Flow Area**  
~130 in<sup>2</sup>



Heavy Duty



AASHTO M306



ASTM A48



Gray Iron Class 35B



Solid Cover Available



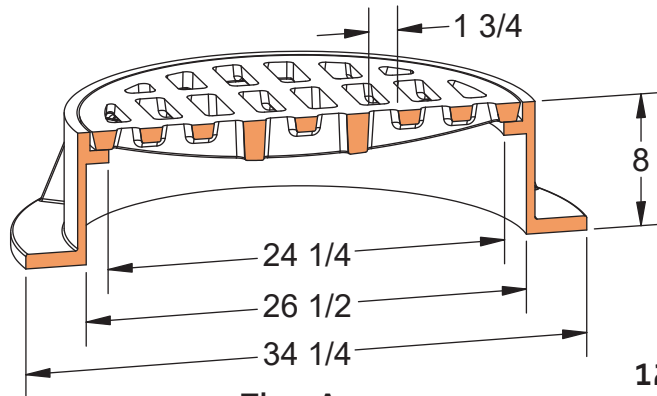
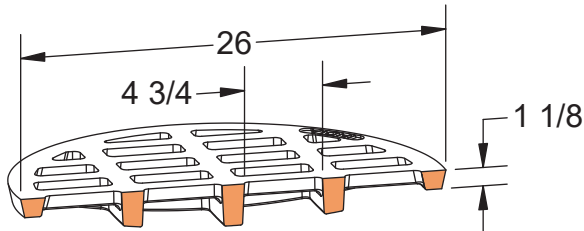
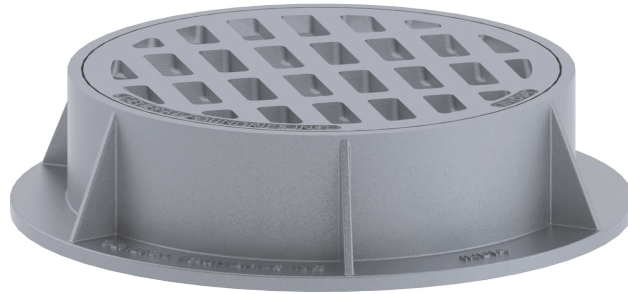
Risers Available



ADA Compliant

**PRODUCT #12686-SLT**

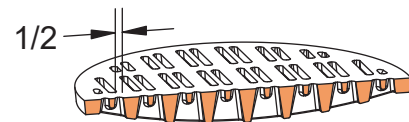
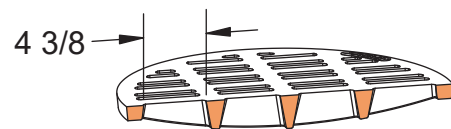
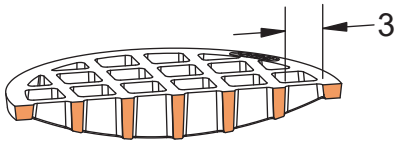
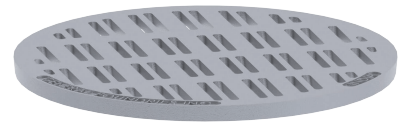
Massachusetts Standard 26" x 8" Frame & Grate



**12686-SQH**

**Flow Area**  
~180 in<sup>2</sup>

**12686-ADA**



**Flow Area**  
~235 in<sup>2</sup>

**Flow Area**  
~130 in<sup>2</sup>



Heavy Duty



AASHTO M306



ASTM A48



Gray Iron Class 35B



Solid Cover Available

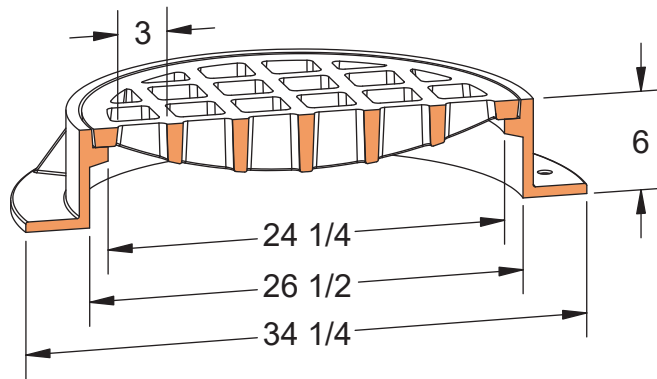
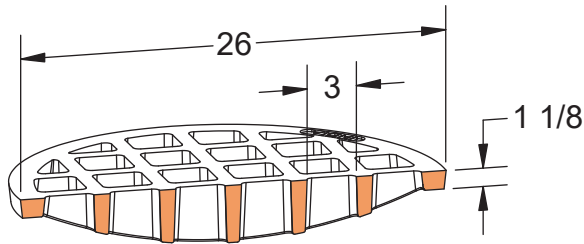


Risers Available



ADA Compliant

**PRODUCT #12660-SQH**  
Bangor Frame & Grate



**Flow Area**  
~235 in<sup>2</sup>



Heavy Duty



AASHTO M306



ASTM A48



Gray Iron Class 35B

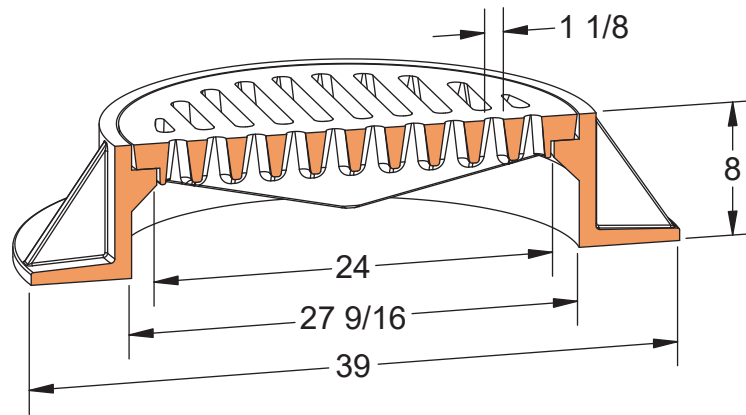
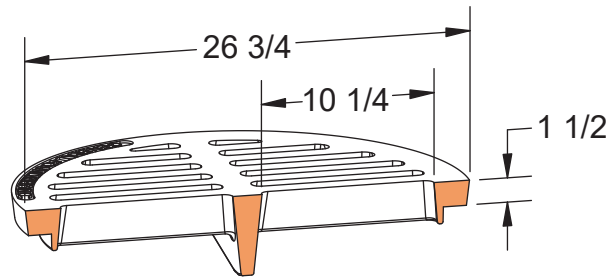


Solid Cover Available



Risers Available

PRODUCT #12782-SLT  
26-3/4" x 8" Frame & Grate



Flow Area  
~165 in<sup>2</sup>

Notes

Conforms to NYCDEP STD DWG SE39A



Heavy Duty



AASHTO M306



ASTM A48



Gray Iron Class 35B



Grates Available

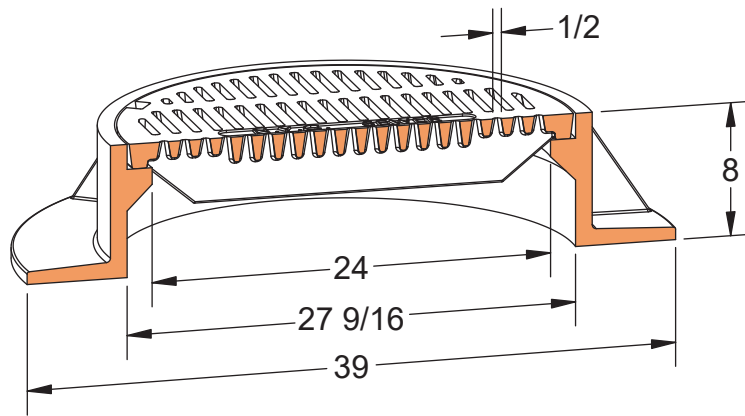
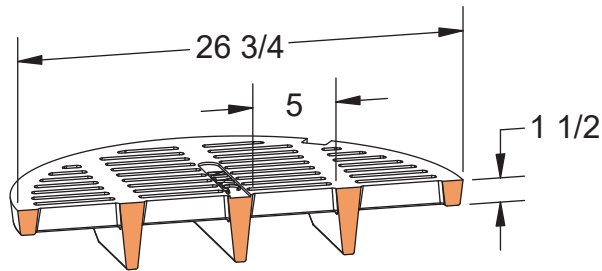


Solid Cover Available



Risers Available

PRODUCT #12782-ADA  
26-3/4" x 8" Frame & Grate



**Flow Area**  
~145 in<sup>2</sup>

**Notes**

Conforms to NYCDEP STD DWG SE39B



Heavy Duty



H-20



ASTM A48



Gray Iron Class 35B



Grates Available



Solid Cover Available



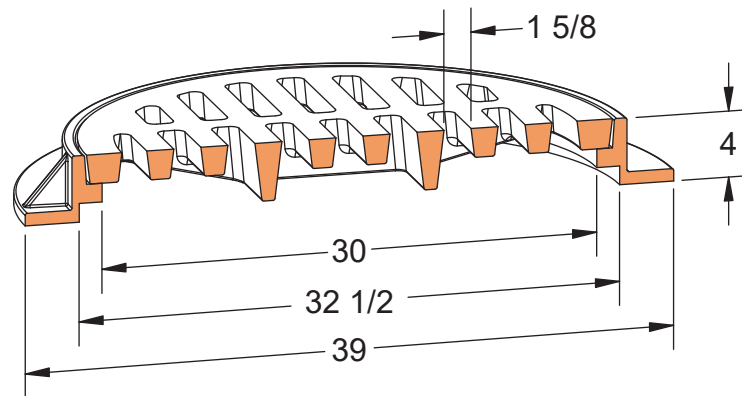
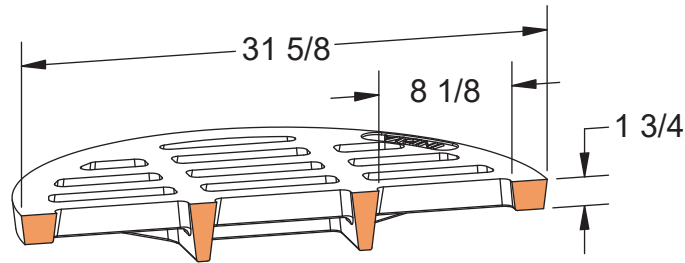
Risers Available



ADA Compliant

**PRODUCT #13252-SLT**

New Hampshire Standard 31-5/8" x 4" Frame & Grate



**Flow Area**  
~250 in<sup>2</sup>



Heavy Duty



AASHTO M306



ASTM A48



Gray Iron Class 35B



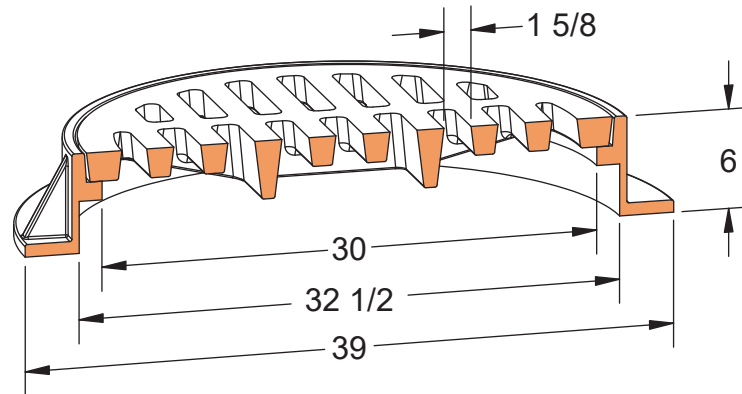
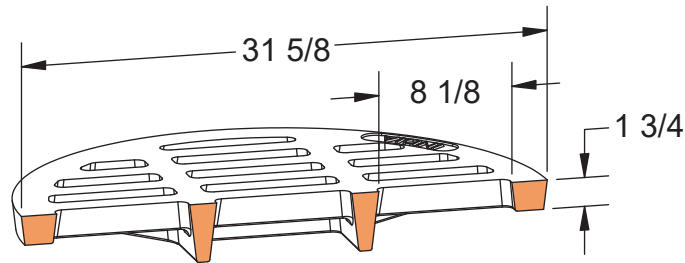
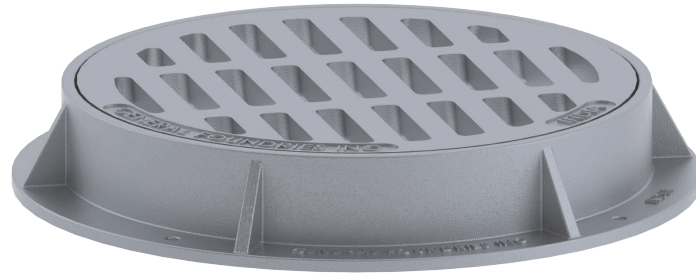
Solid Cover Available



Risers Available

**PRODUCT #13262-SLT**

New Hampshire Standard 31-5/8" x 6" Frame & Grate



**Flow Area**  
~250 in<sup>2</sup>



Heavy Duty



AASHTO M306



ASTM A48



Gray Iron Class 35B



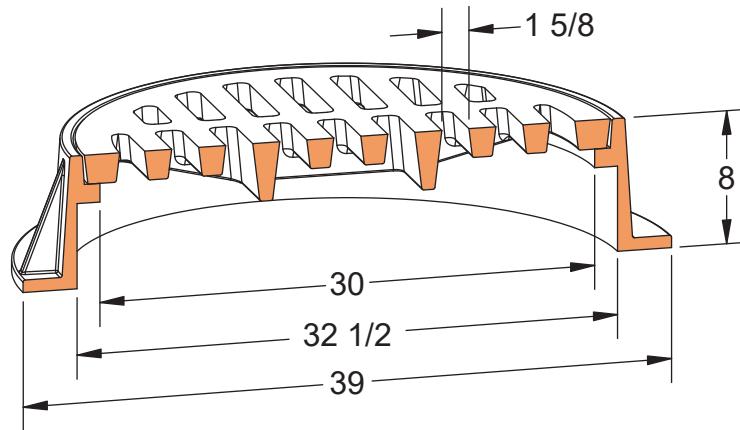
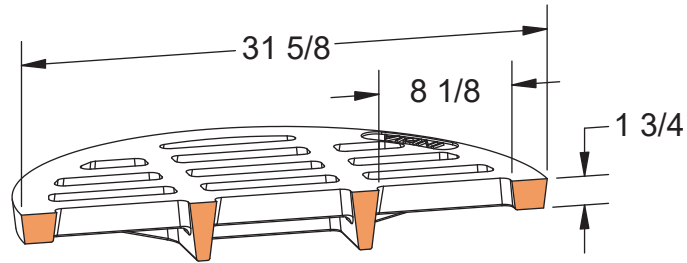
Solid Cover Available



Risers Available

**PRODUCT #13282-SLT**

New Hampshire Standard 31-5/8" x 8" Frame & Grate



**Flow Area**  
~250 in<sup>2</sup>



Heavy Duty



AASHTO M306



ASTM A48



Gray Iron Class 35B

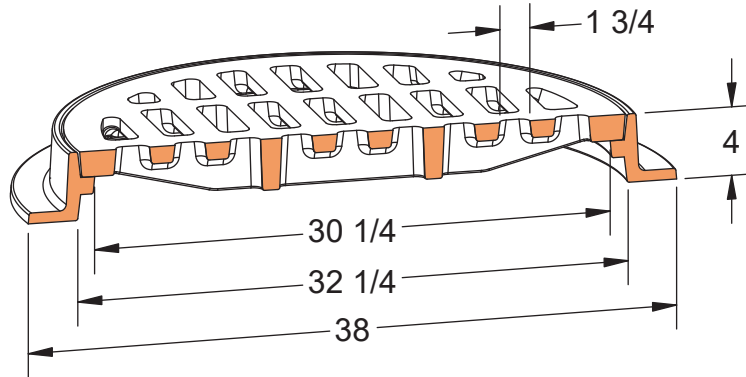
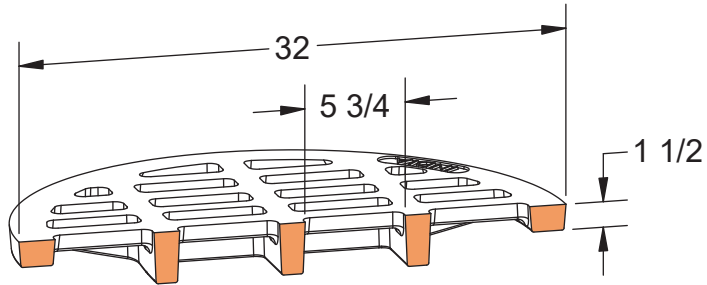


Solid Cover Available



Risers Available

**PRODUCT #13242-SLT**  
32" x 4" Frame & Grate



**Flow Area**  
~270 in<sup>2</sup>



Heavy Duty



AASHTO M306



ASTM A48



Gray Iron Class 35B



Reversible

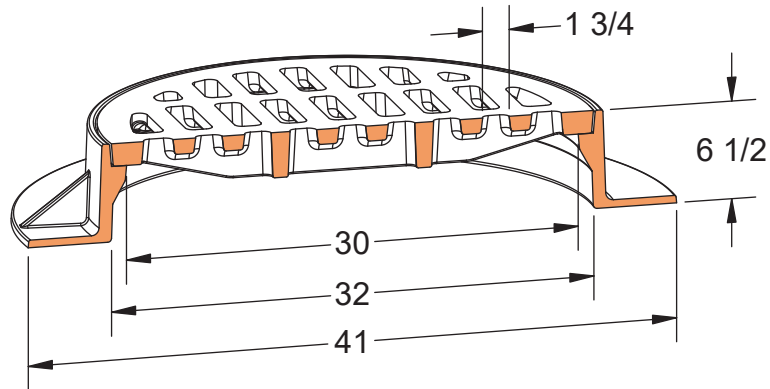
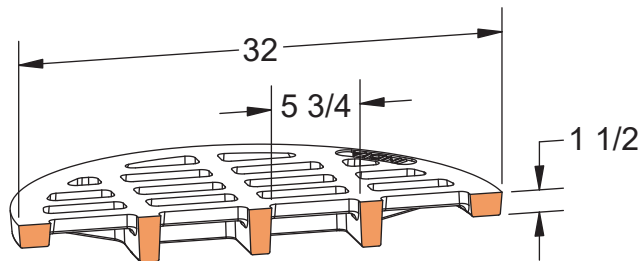


Solid Cover Available



Risers Available

PRODUCT #13272-SLT  
32" x 6-1/2" Frame & Grate



Flow Area  
~270 in<sup>2</sup>



Heavy Duty



AASHTO M306



ASTM A48



Gray Iron Class 35B

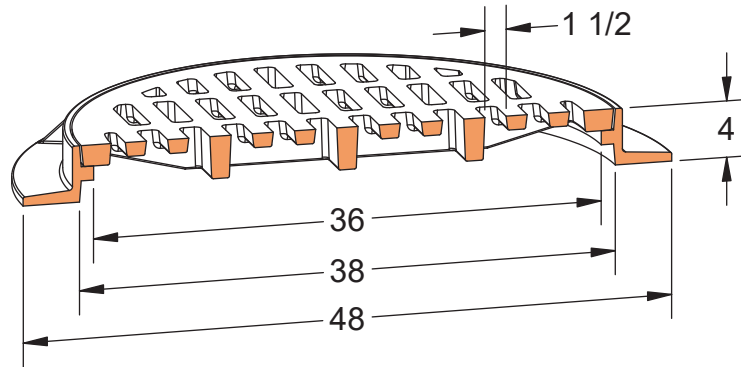
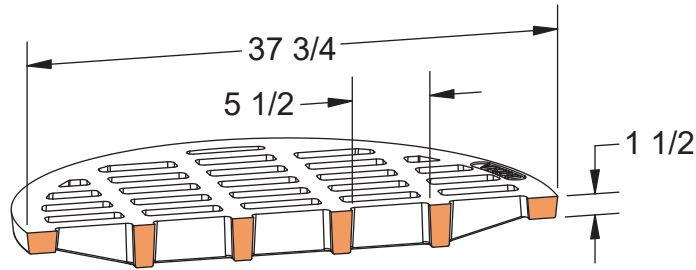
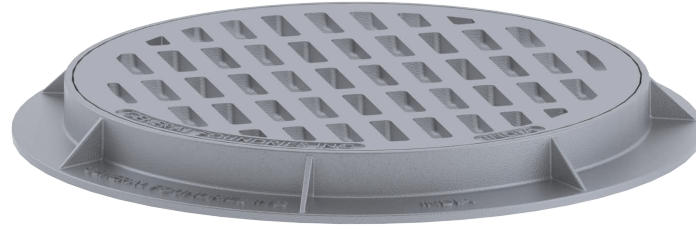


Solid Cover Available



Risers Available

PRODUCT #13642-SLT  
37-3/4" x 4" Frame & Grate



Flow Area  
~345 in<sup>2</sup>



Heavy Duty



AASHTO M306



ASTM A48



Gray Iron Class 35B

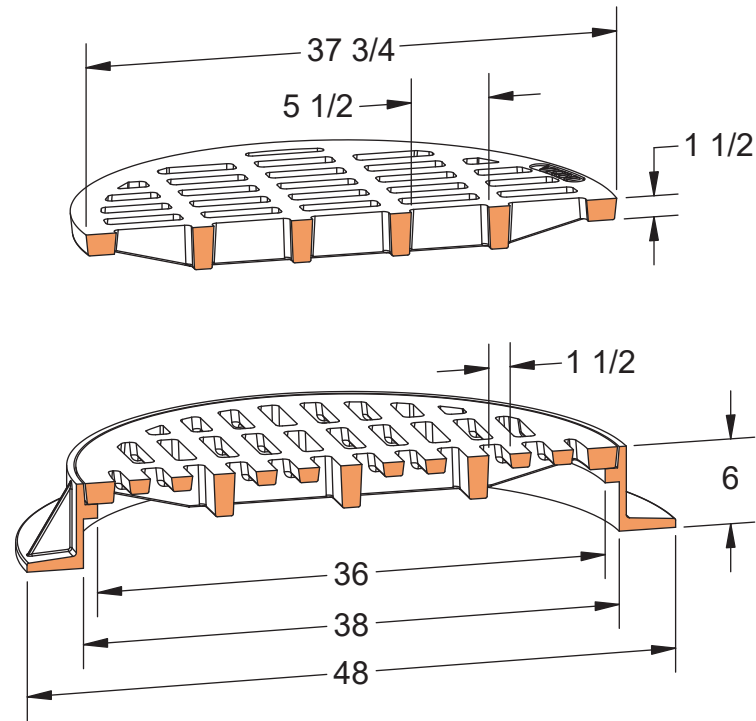


Reversible



Solid Cover Available

PRODUCT #13662-SLT  
37-3/4" x 6" Frame & Grate



Flow Area  
~345 in<sup>2</sup>



Heavy Duty



AASHTO M306



ASTM A48

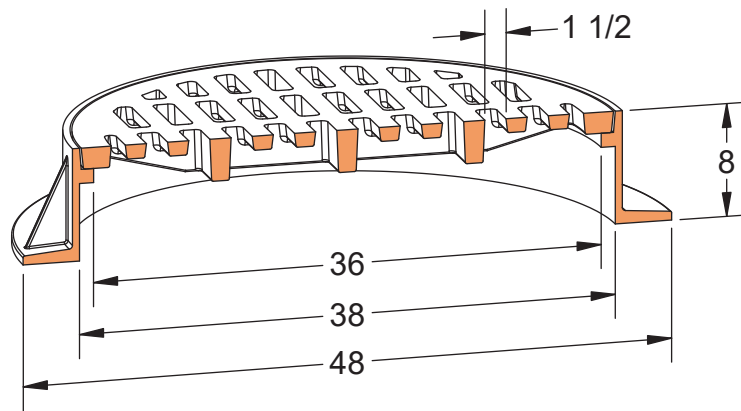
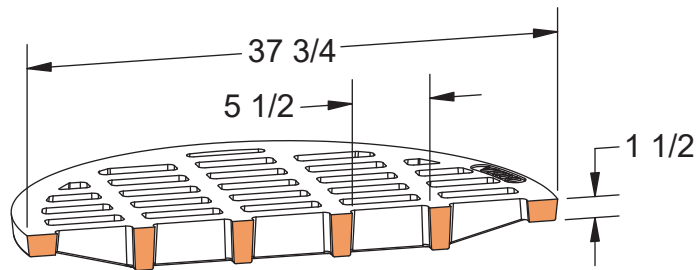


Gray Iron Class 35B



Solid Cover Available

**PRODUCT #13682-SLT**  
37-3/4" x 8" Frame & Grate



**Flow Area**  
~345 in<sup>2</sup>



Heavy Duty



AASHTO M306



ASTM A48

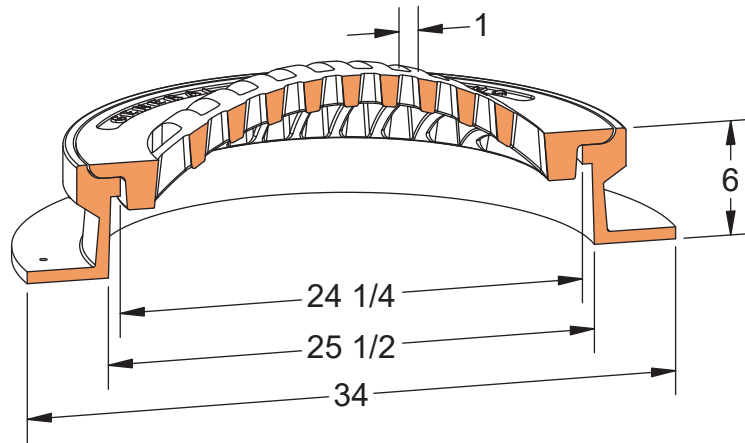
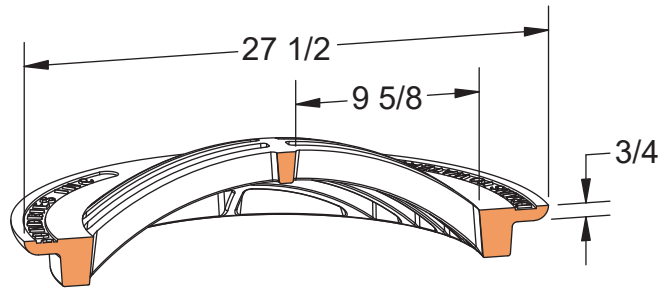


Gray Iron Class 35B



Solid Cover Available

**PRODUCT #12702-BHV**  
27-1/2" x 6" Frame & Beehive Grate



**Flow Area**  
~135 in<sup>2</sup>

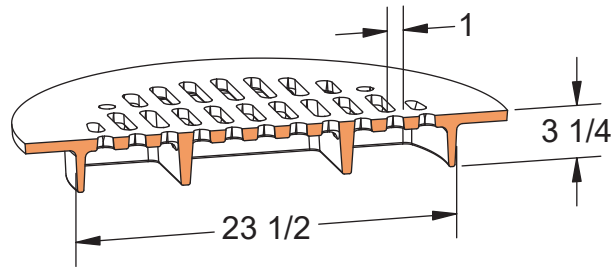
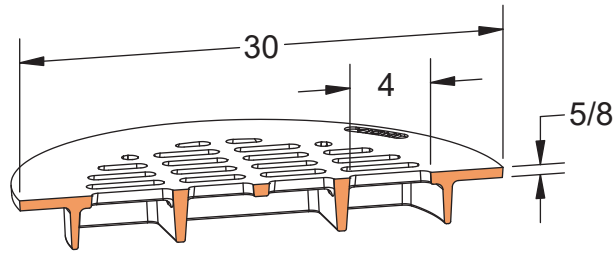


ASTM  
A48



Gray Iron  
Class 35B

**PRODUCT #13002-BP**  
Drop in Grate for 24" Pipe



**Flow Area**  
~130 in<sup>2</sup>



Light  
Duty



ASTM  
A48



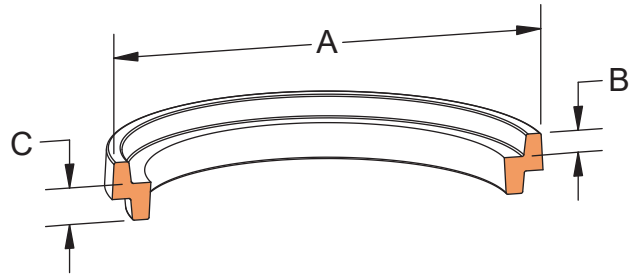
Gray Iron  
Class 35B



Bicycle  
Safe

Manhole Risers Cast Iron Fixed Type

Summary of manhole risers listed in order of smallest **cover diameter** and **seat height**.



Product	A	B	C (Raise)	Suitable For Product No.
12312	23-3/4	1	1-1/4	
12315	23-3/4	1	1-1/2	
12317	23-3/4	1	1-3/4	
12320	23-3/4	1	2	12341, 12371, 12372
12325	23-3/4	1	2-1/2	
12330	23-3/4	1	3	
12340	23-3/4	1	4	
12360	23-3/4	1	6	
12215	24	1-1/4	1-1/2	
12322	24	1-1/4	2	
12230	24	1-1/4	3	12361
12240	24	1-1/4	4	
12260	24	1-1/4	6	
12415	24-1/4	1-3/8	1-1/2	12441, 12442, 12443, 12444, 12461
12420	24-1/4	1-3/8	2	12462, 12471, 12472, 12481, 12482
12525	25-5/8	2	2-1/2	12583
12615	26	1-3/8	1-1/2	12641, 12642, 12661, 12662
12620	26	1-3/8	2	12681, 12682, 12683, 12684
12616	26-1/4	1-1/8	1-1/2	12645, 12665, 12685
12621	26-1/4	1-1/8	2	12644, 12664, 12684
12720	27	1-1/2	2	
12730	27	1-1/2	3	12741, 12742, 12781, 12782
12740	27	1-1/2	4	
13220	31-7/8	1-3/4	2	13251, 13261, 13281 13252, 13262, 13282



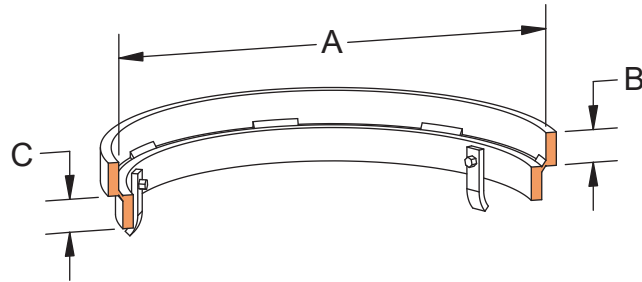
ASTM  
A48



Gray Iron  
Class 35B

Manhole Risers Steel Fixed Type

Summary of manhole risers listed in order of smallest cover diameter and seat height.



Product	A	B	C (Raise)	Suitable For Product No.
SFR2410	24-1/4	1-3/8	1	
SFR2415	24-1/4	1-3/8	1-1/2	12441, 12461, 12471
SFR2420	24-1/4	1-3/8	2	12481, 12442, 12462
SFR2425	24-1/4	1-3/8	2-1/2	12472, 12482, 12443, 12444
SFR2430	24-1/4	1-3/8	3	
SFR2510	25-5/8	2	1	
SFR2515	25-5/8	2	1-1/2	12583
SFR2520	25-5/8	2	2	
SFR2610	25-3/4	1-3/8	1	12641, 12642, 12661, 12662 12681, 12682, 12683, 12684
SFR2611	26-1/4	1-1/8	1	
SFR2616	26-1/4	1-1/8	1-1/2	
SFR2621	26-1/4	1-1/8	2	12645, 12646, 12665, 12666 12685, 12686, 12694
SFR2626	26-1/4	1-1/8	2-1/2	
SFR2631	26-1/4	1-1/8	3	
SFR2720	27	1-1/2	2	12741, 12742, 12781, 12782
SFR3210	31-7/8	1-3/4	1	
SFR3215	31-7/8	1-3/4	1-1/2	13251, 13261, 13281
SFR3220	31-7/8	1-3/4	2	13252, 13262, 13282



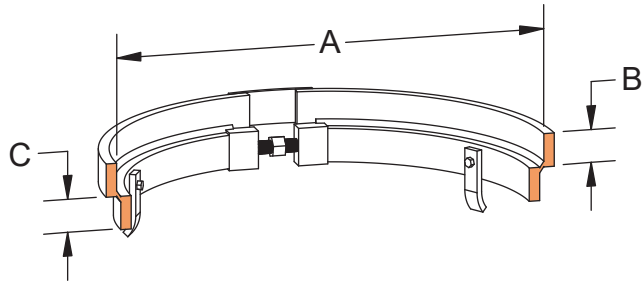
ASTM  
A36



Steel

**Manhole Risers Steel Adjustable Type**

Summary of manhole risers listed in order of smallest **cover diameter** and **seat height**.



Product	A	B	C (Raise)	Suitable For Product No.
SAR2410	24 to 24-1/2	1-3/8	1	12441, 12461, 12471
SAR2415	24 to 24-1/2	1-3/8	1-1/2	12481, 12442, 12462
SAR2420	24 to 24-1/2	1-3/8	2	12472, 12482, 12443, 12444
SAR2611	26 to 26-1/2	1-1/8	1	12645, 12665, 12685
SAR2616	26 to 26-1/2	1-1/8	1-1/2	12644, 12664, 12684
SAR2621	26 to 26-1/2	1-1/8	2	
SAR3210	31-5/8 to 32-1/8	1-3/4	1	13251, 13261, 13281
SAR3215	31-5/8 to 32-1/8	1-3/4	1-1/2	13252, 13262, 13282
SAR3220	31-5/8 to 32-1/8	1-3/4	2	
SAR3209	32 to 32-1/2	1-1/2	1	13241, 13242
SAR3214	32 to 32-1/2	1-1/2	1-1/2	13271, 13272
SAR3219	32 to 32-1/2	1-1/2	2	



ASTM  
A36



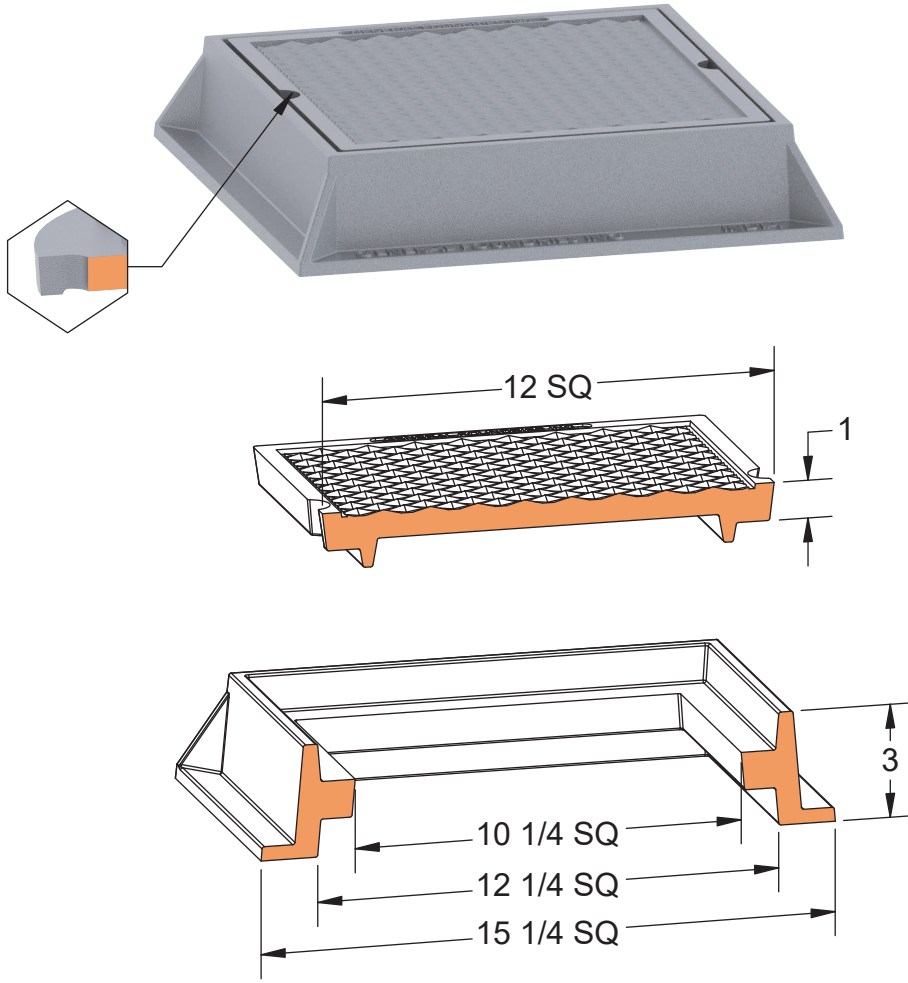
Steel

### Catch Basin Frames and Covers Summary

Summary of frames and covers listed in order of smallest **clear opening** and **frame height**.

Product	Cover Dimension	Seat Height	Clear Opening	Frame Seat ID	Frame Seat OD	Frame Height	Load Rating
21231	12 SQ	1	10-1/4 SQ	12-1/4 SQ	15-1/4 SQ	3	Light Duty
21231-WF	12 SQ	1	10-1/4 SQ	12-1/4 SQ	17 SQ	3	Light Duty
B1618	15-3/4 x 17-3/4	1-1/2	14 x 16	16 x 18	23-1/2 x 25-1/2	6-1/2	M306
21831	18 SQ	1	17 SQ	18-3/8 SQ	23 SQ	3	Light Duty
22443	24 SQ	2	22 SQ	24-1/4 SQ	32-3/4 x 29-1/4	4	M306
22444	24 SQ	2	22 SQ	24-1/4 SQ	32-3/4 SQ	4	M306
22463	24 SQ	2	22 SQ	24-1/4 SQ	32-3/4 x 29-1/4	6	M306
22464	24 SQ	2	22 SQ	24-1/4 SQ	32-3/4 SQ	6	M306
22483	24 SQ	2	22 SQ	24-1/4 SQ	32-3/4 x 29-1/4	8	M306
22484	24 SQ	2	22 SQ	24-1/4 SQ	32-3/4 SQ	8	M306
24361	23-3/4 x 35-3/4	1-1/2	22 x 34	24 x 36	29-1/2 x 41-1/2	4	M306
22531	25-1/4 SQ	1-1/2	24 SQ	24 SQ	30 SQ	2-1/2	M306
23131	31-1/4 SQ	1-1/2	30 SQ	30 SQ	36 SQ	2-1/2	M306

**PRODUCT #21231**  
12" x 12" Frame & Cover



**Available Markings**

- Electric
- Plain
- Signal
- Traffic



Light  
Duty



ASTM  
A48



Gray Iron  
Class 35B

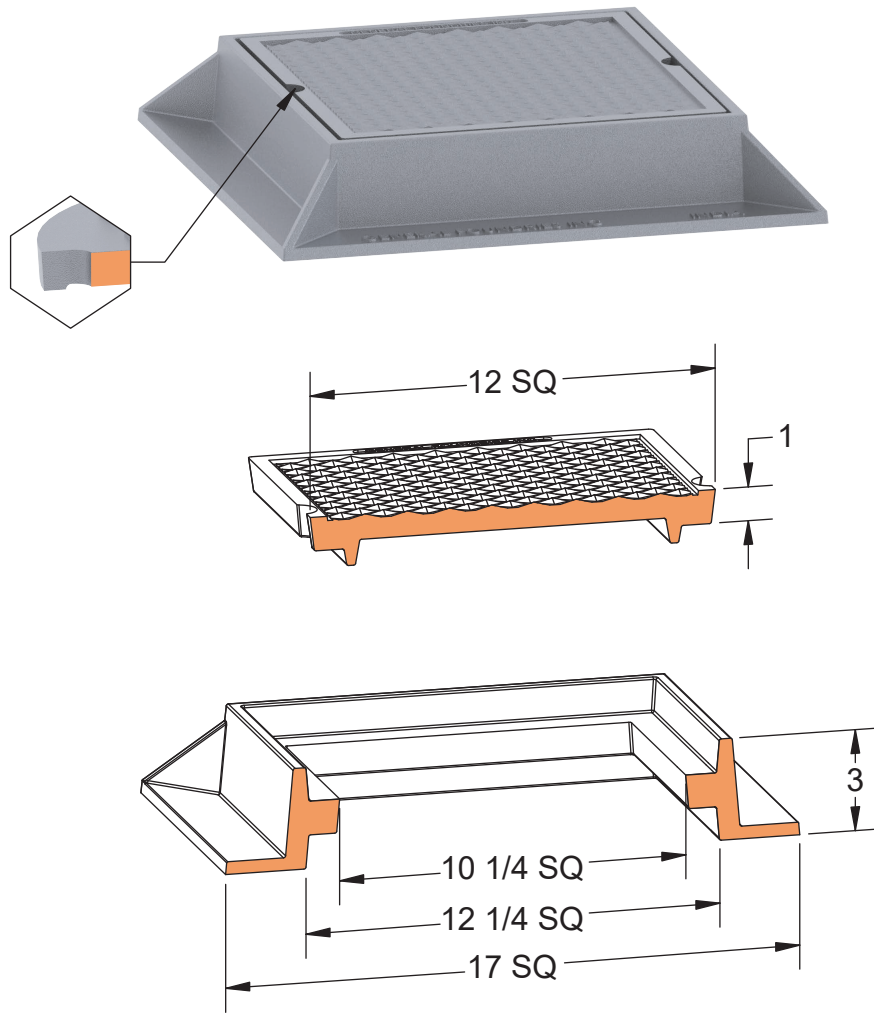


Reversible



Grates  
Available

**PRODUCT #21231-WF**  
12" x 12" Wide Flange Frame & Cover



**Available Markings**

- Electric
- Plain
- Signal
- Traffic



Light Duty



ASTM A48



Gray Iron Class 35B

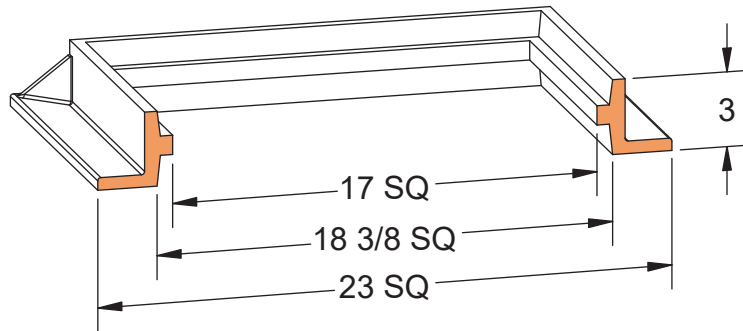
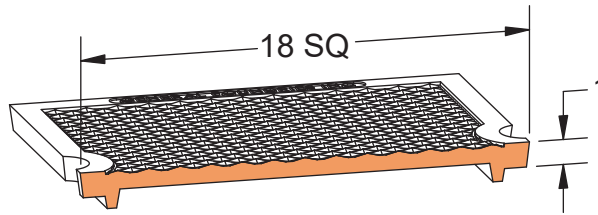
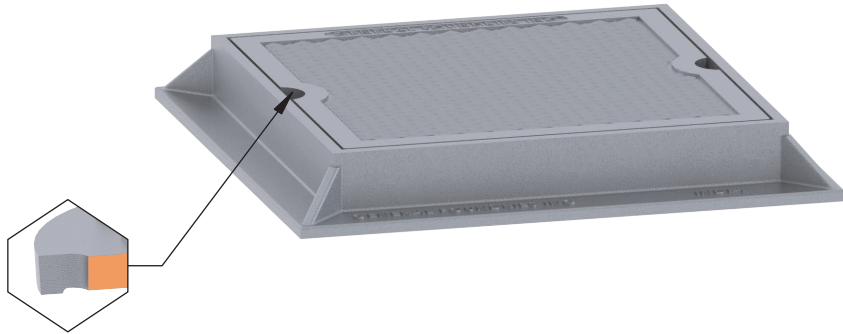


Reversible



Grates Available

**PRODUCT #21831**  
18" x 18" Frame & Cover



**Available Markings**

Electric  
Plain



Light  
Duty



ASTM  
A48



Gray Iron  
Class 35B



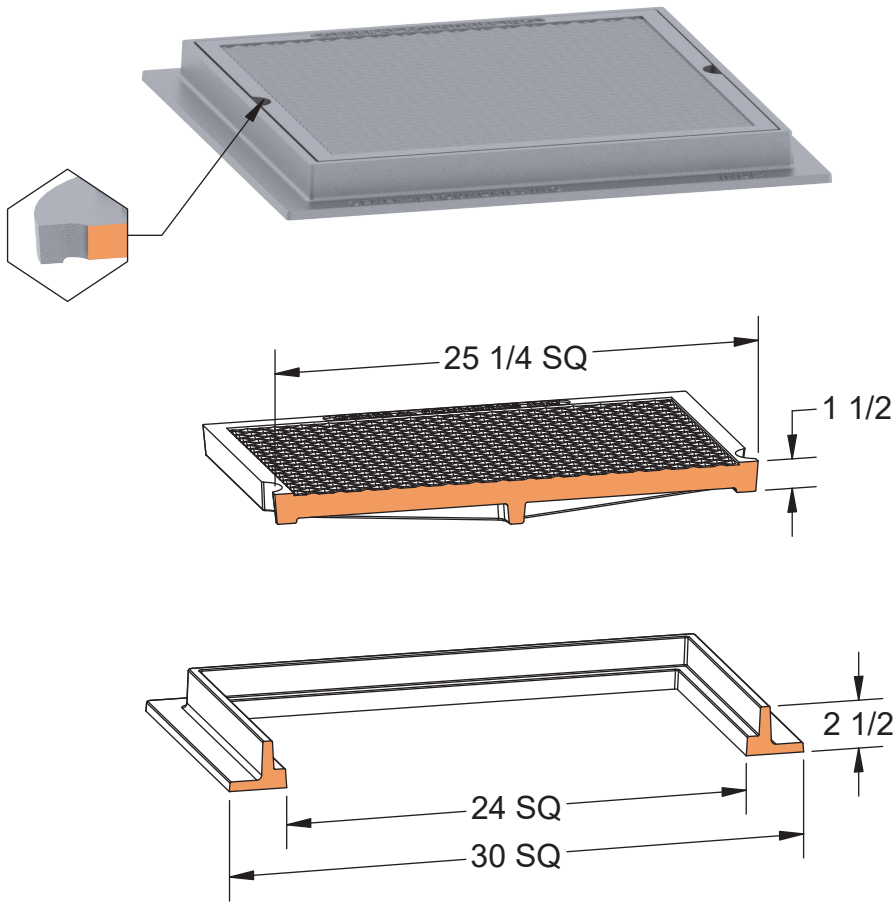
Reversible



Grates  
Available

**PRODUCT #22531**

25" x 25" Frame & Cover



**Available Markings**

Plain



Heavy Duty



AASHTO M306



ASTM A48

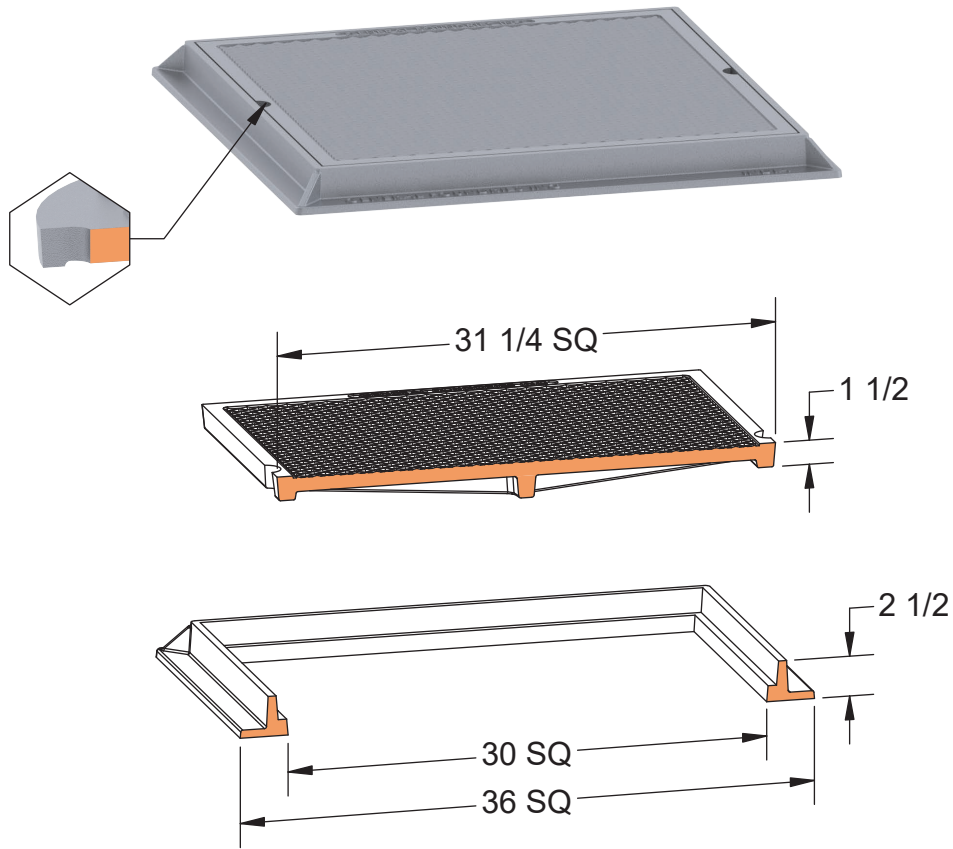


Gray Iron Class 35B



Grates Available

**PRODUCT #23131**  
31" x 31" Frame & Cover



**Available Markings**  
Plain



Heavy  
Duty



ASTM  
A48

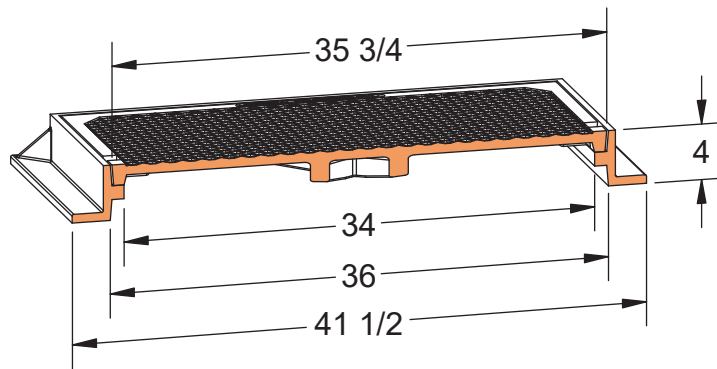
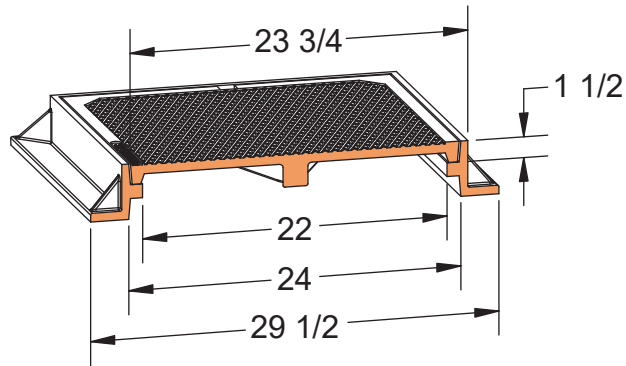
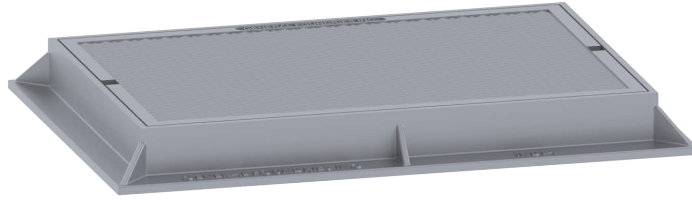


Gray Iron  
Class 35B



Grates  
Available

**PRODUCT #24361**  
24" x 36" Frame & Cover



Heavy Duty



AASHTO M306



ASTM A48



Gray Iron Class 35B

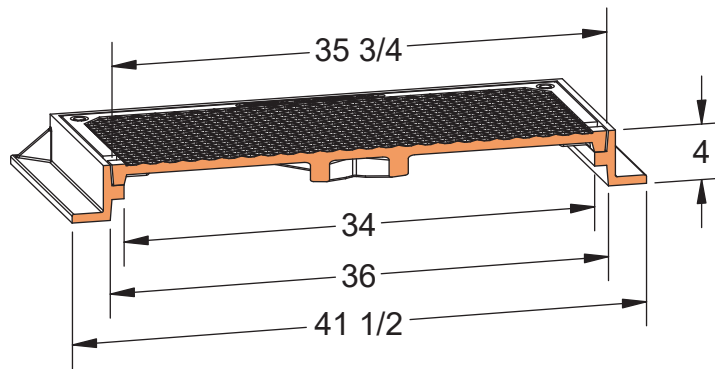
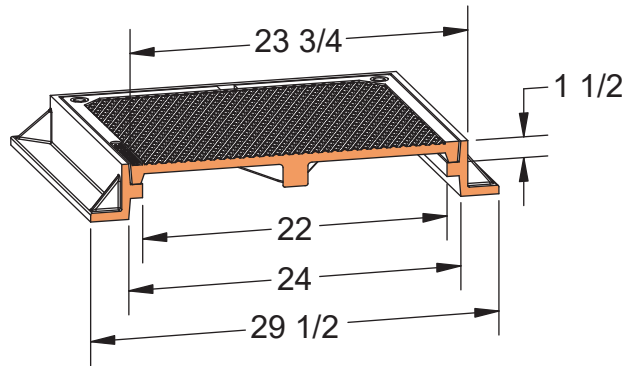
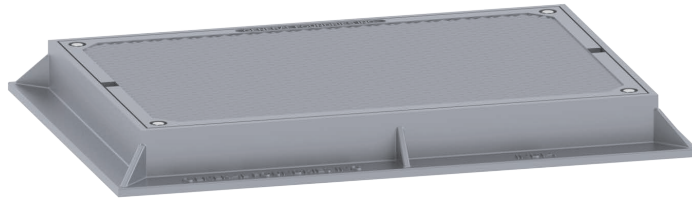


Grates Available



Reversible

**PRODUCT #24361-BLT**  
24" x 36" Bolted Frame & Cover



Heavy Duty



AASHTO M306



ASTM A48



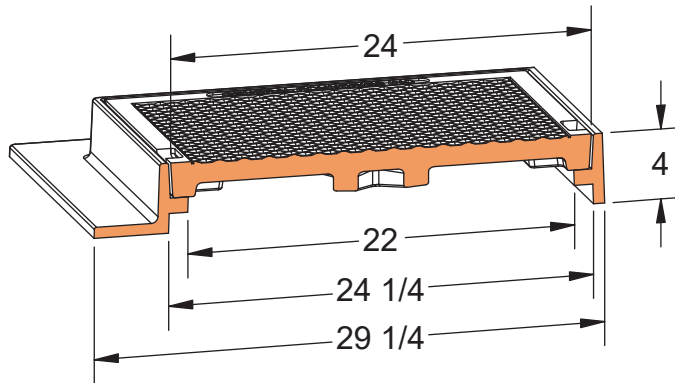
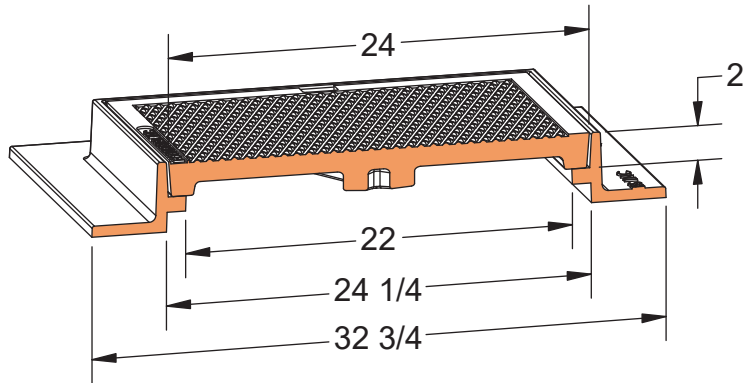
Gray Iron Class 35B



Bolted

**PRODUCT #22443**

New England 4" 3 Flange Frame & Cover



**Available Markings**

- Communication
- Electric
- Plain
- Signal



Heavy Duty



AASHTO M306



ASTM A48



Gray Iron Class 35B



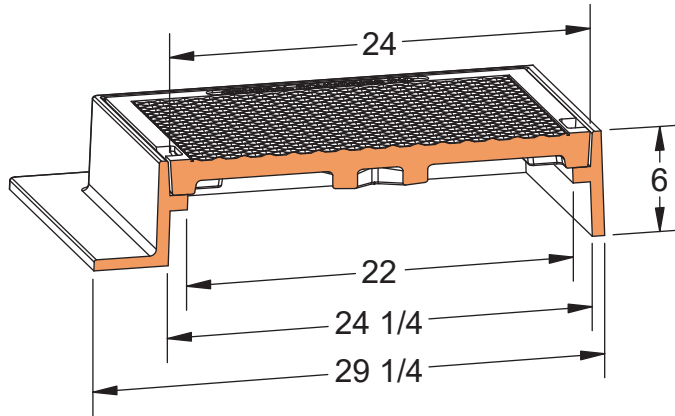
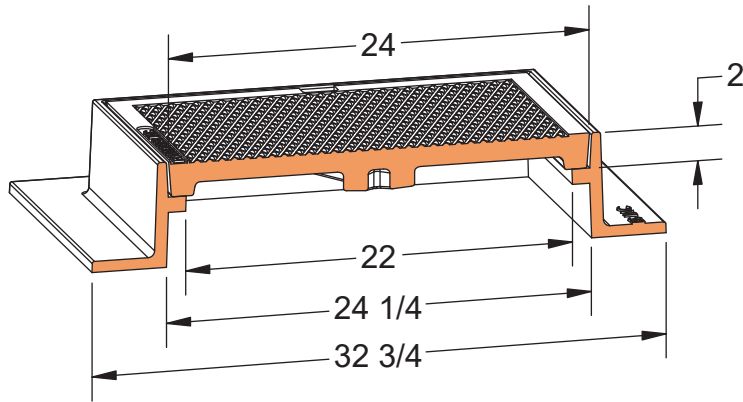
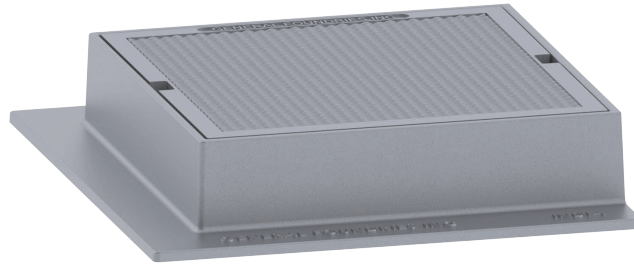
Grates Available



Risers Available

**PRODUCT #22463**

New England 6" 3 Flange Frame & Cover



**Available Markings**

- Communication
- Electric
- Plain
- Signal



Heavy Duty



AASHTO M306



ASTM A48



Gray Iron Class 35B



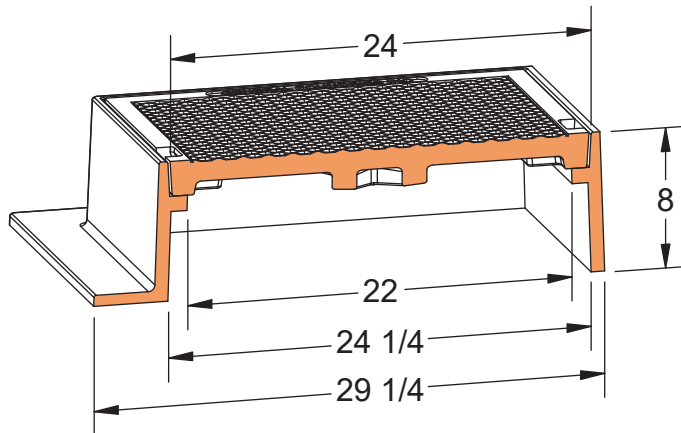
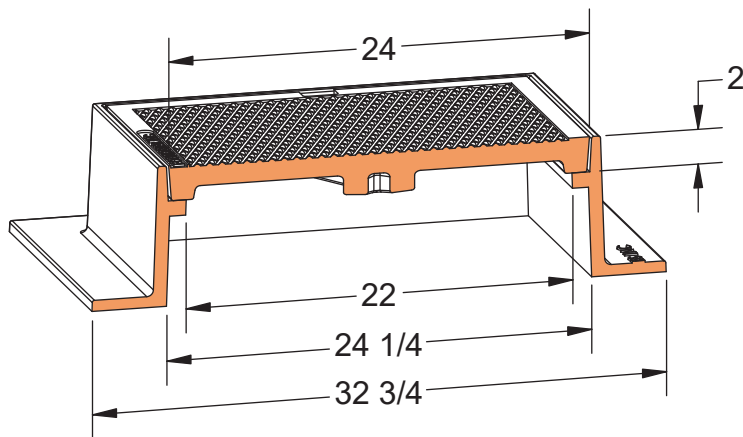
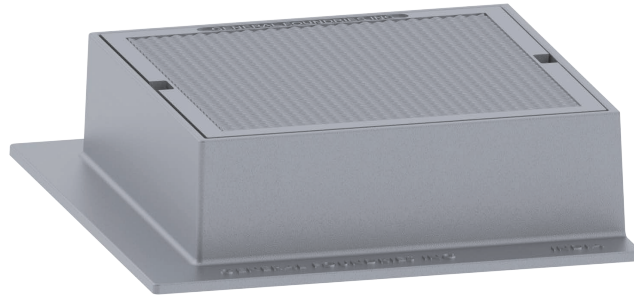
Grates Available



Risers Available

**PRODUCT #22483**

New England 8" 3 Flange Frame & Cover



**Available Markings**

- Communication
- Electric
- Plain
- Signal



Heavy Duty



AASHTO M306



ASTM A48



Gray Iron Class 35B



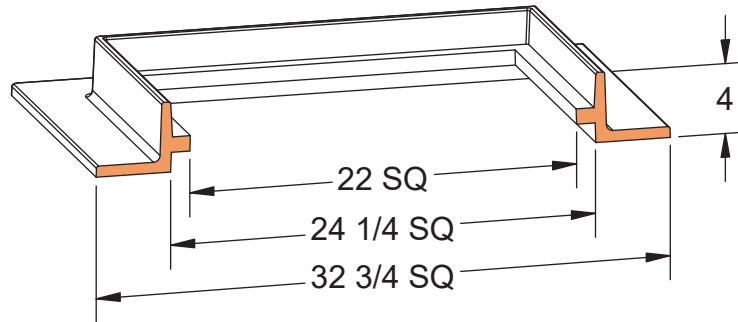
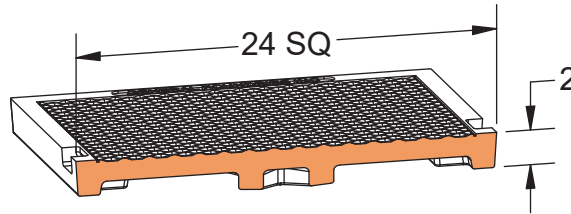
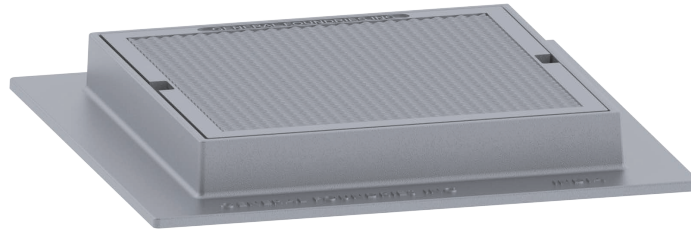
Grates Available



Risers Available

**PRODUCT #22444**

New England 4" 4 Flange Frame & Cover



**Available Markings**

- Communication
- Electric
- Plain
- Signal



Heavy Duty



AASHTO M306



ASTM A48



Gray Iron Class 35B



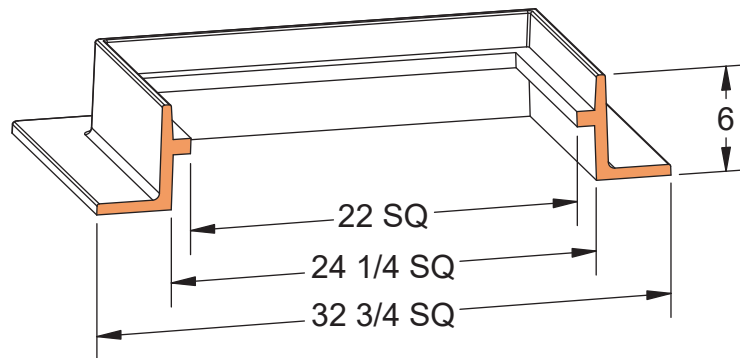
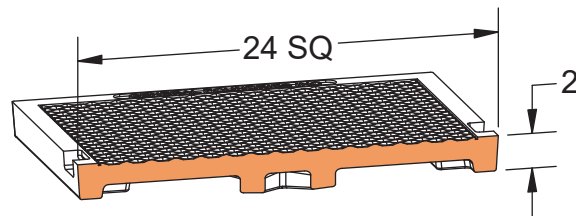
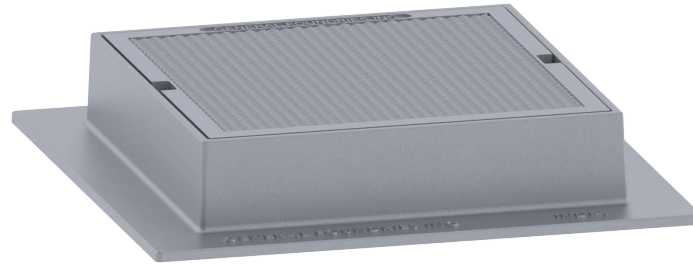
Grates Available



Risers Available

**PRODUCT #22464**

New England 6" 4 Flange Frame & Cover



**Available Markings**

- Communication
- Electric
- Plain
- Signal



Heavy Duty



AASHTO M306



ASTM A48



Gray Iron Class 35B



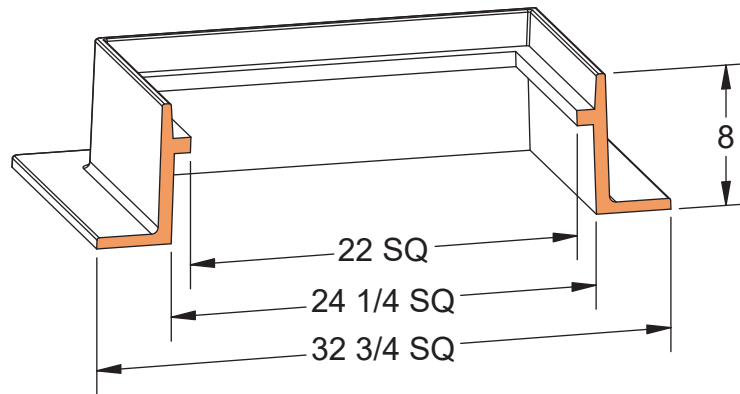
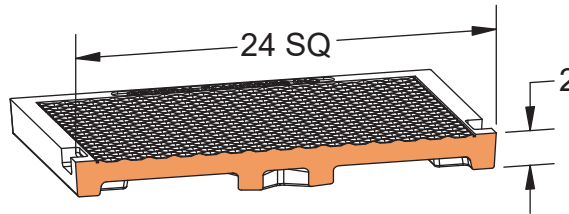
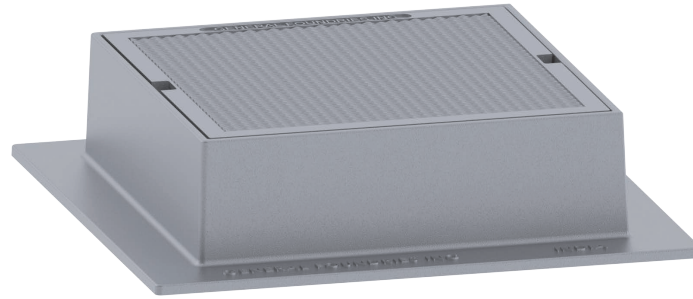
Grates Available



Risers Available

**PRODUCT #22484**

New England 8" 4 Flange Frame & Cover



**Available Markings**

- Communication
- Electric
- Plain
- Signal



Heavy Duty



AASHTO M306



ASTM A48



Gray Iron Class 35B



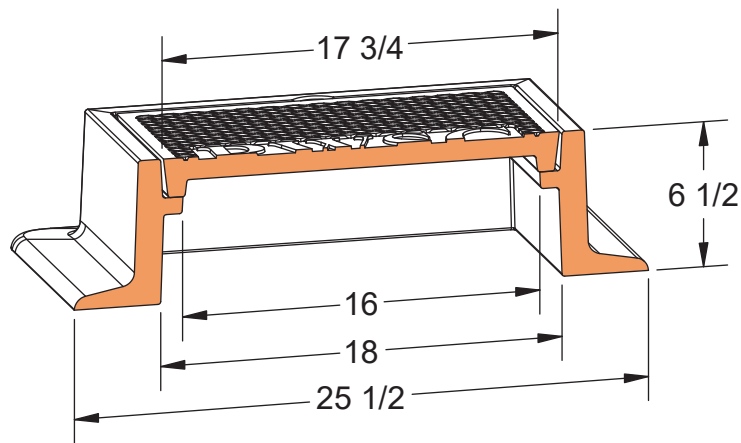
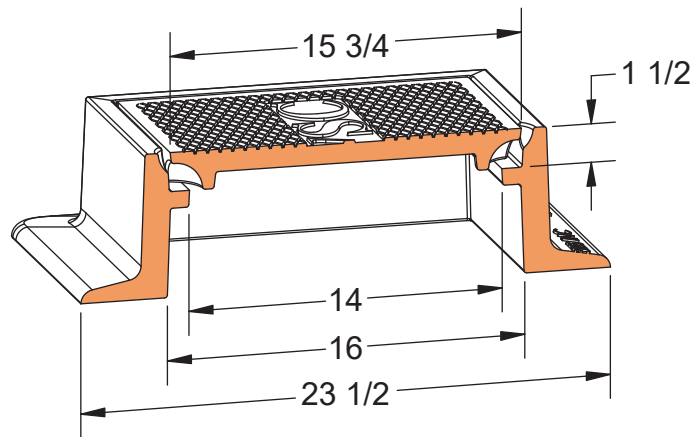
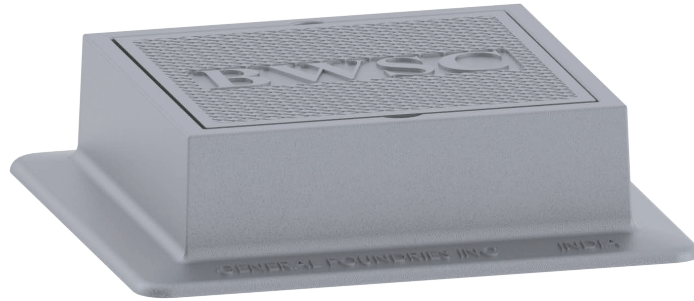
Grates Available



Risers Available

**PRODUCT #B1618**

BWSC 16" x 18" Frame & Cover



**Available Markings**  
BWSC



Heavy Duty



AASHTO M306



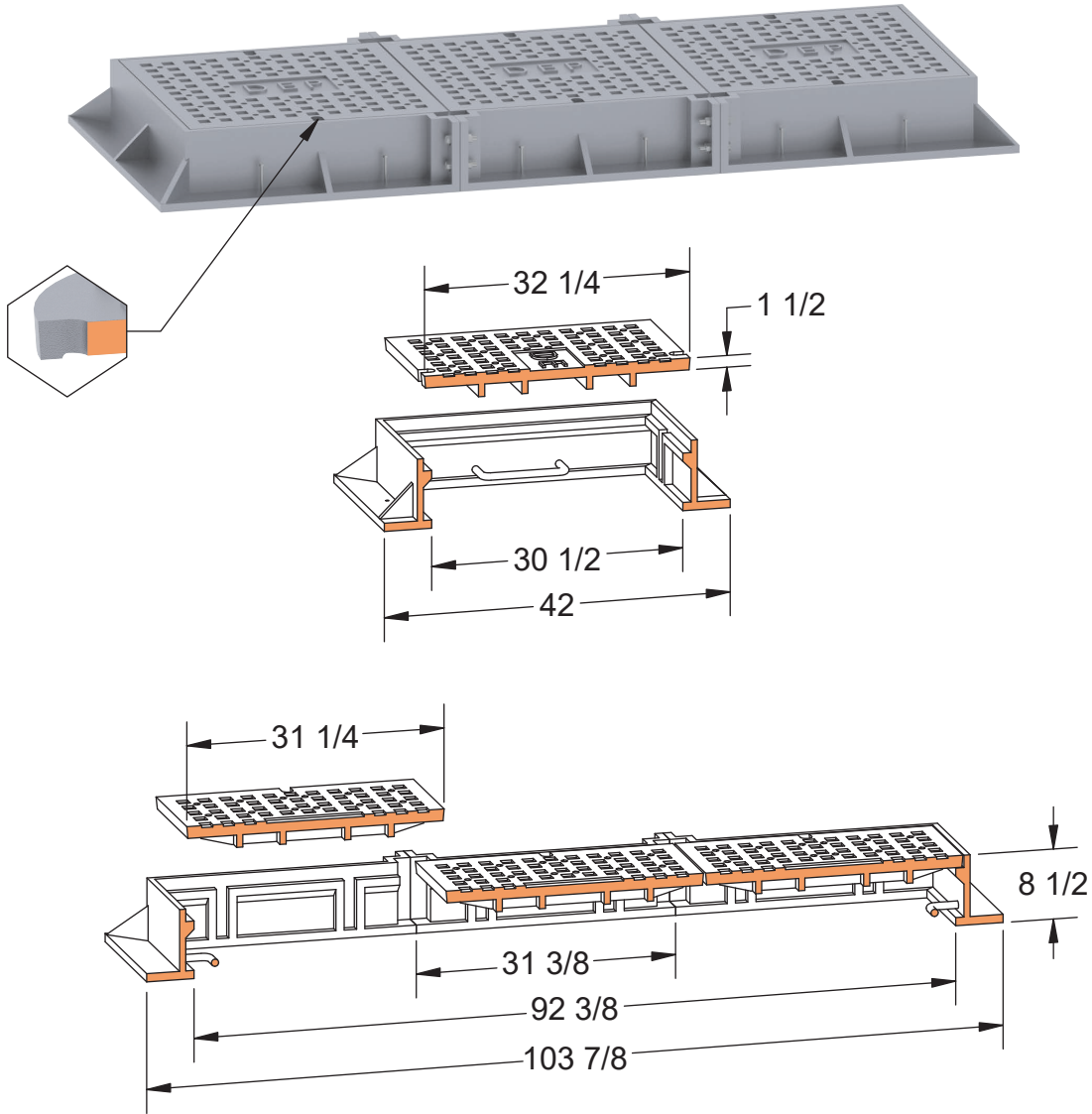
ASTM A48



Gray Iron Class 35B

**PRODUCT #23008**

Regulator Frames & Covers



**Notes**

- Bolted covers also available
- Combined unit will be supplied unassembled
- Each additional intermediate unit added between the end units will increase the overall length by  $31 \frac{3}{8}$



Heavy Duty



AASHTO M306



ASTM A48



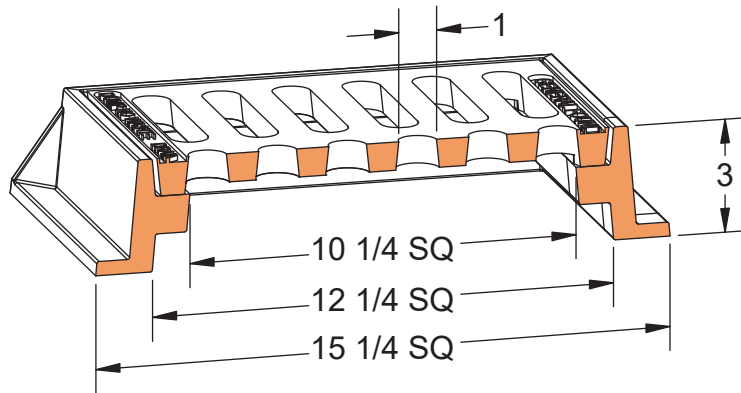
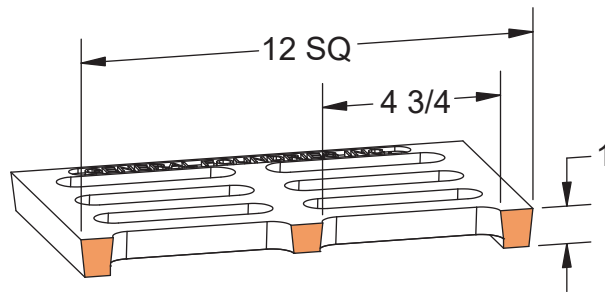
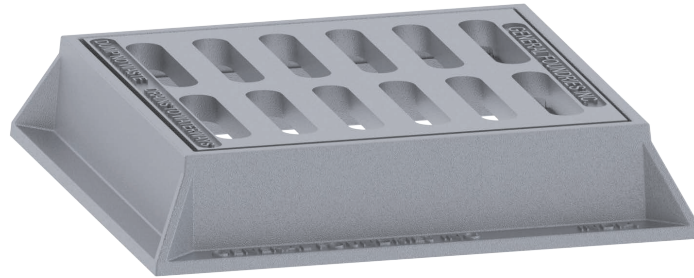
Gray Iron Class 35B

**Catch Basin Frames and Grates Summary**

Summary of frames and grates listed in order of smallest **clear opening** and **frame height**.

Product	Grate Dimension	Seat Height	Clear Opening	Frame Seat ID	Frame Seat OD	Frame Height	Load Rating	Flow Area(in <sup>2</sup> )
21232-BP	12 SQ	1	10-1/4 SQ	12-1/4 SQ	15-1/4 SQ	3	Light Duty	55
21232-ADA	12 SQ	1	10-1/4 SQ	12-1/4 SQ	15-1/4 SQ	3	Light Duty	55
21832-SLT	18 SQ	1	17 SQ	18-3/8 SQ	23 SQ	3	M306	105
21832-ADA	18 SQ	1	17 SQ	18-3/8 SQ	23 SQ	3	M306	105
22002-SUMP	20 SQ	1/2	-	-	-	-	Light Duty	140
20372-OVL	20 x 37-1/2	2	17-3/4 x 35-1/4	17-3/4 x 35-1/4	26 x 43-1/2	3	M306	285
20364-DIA	20 x 36	2	18 x 34	18 x 34	22-1/4 x 38-1/4	4	Light Duty	305
22432-SLT	23-1/2 SQ	1-1/4	21-5/8 SQ	23-3/4 SQ	29-5/8 SQ	3-3/8	M306	200
22432-SQH	23-1/2 SQ	1-1/4	21-5/8 SQ	23-3/4 SQ	29-5/8 SQ	3-3/8	M306	155
22443-SQH	24 SQ	1-1/2	22 SQ	24-1/4 SQ	32-3/4 X 29-1/4	4	M306	225
22443-CAS	24 SQ	1-1/2	22 SQ	24-1/4 SQ	32-3/4 X 29-1/4	4	M306	450
22443-ADA	24 SQ	1-1/2	22 SQ	24-1/4 SQ	32-3/4 X 29-1/4	4	M306	140
22444-SQH	24 SQ	1-1/2	22 SQ	24-1/4 SQ	32-3/4 SQ	4	M306	225
22444-CAS	24 SQ	1-1/2	22 SQ	24-1/4 SQ	32-3/4 SQ	4	M306	450
22444-ADA	24 SQ	1-1/2	22 SQ	24-1/4 SQ	32-3/4 SQ	4	M306	140
22463-SQH	24 SQ	1-1/2	22 SQ	24-1/4 SQ	32-3/4 X 29-1/4	6	M306	225
22463-CAS	24 SQ	1-1/2	22 SQ	24-1/4 SQ	32-3/4 X 29-1/4	6	M306	450
22463-ADA	24 SQ	1-1/2	22 SQ	24-1/4 SQ	32-3/4 X 29-1/4	6	M306	140
22464-SQH	24 SQ	1-1/2	22 SQ	24-1/4 SQ	32-3/4 SQ	6	M306	225
22464-CAS	24 SQ	1-1/2	22 SQ	24-1/4 SQ	32-3/4 SQ	6	M306	450
22464-ADA	24 SQ	1-1/2	22 SQ	24-1/4 SQ	32-3/4 SQ	6	M306	140
22483-SQH	24 SQ	1-1/2	22 SQ	24-1/4 SQ	32-3/4 X 29-1/4	8	M306	225
22483-CAS	24 SQ	1-1/2	22 SQ	24-1/4 SQ	32-3/4 X 29-1/4	8	M306	450
22483-ADA	24 SQ	1-1/2	22 SQ	24-1/4 SQ	32-3/4 X 29-1/4	8	M306	140
22484-SQH	24 SQ	1-1/2	22 SQ	24-1/4 SQ	32-3/4 SQ	8	M306	225
22484-CAS	24 SQ	1-1/2	22 SQ	24-1/4 SQ	32-3/4 SQ	8	M306	450
22484-ADA	24 SQ	1-1/2	22 SQ	24-1/4 SQ	32-3/4 SQ	8	M306	140
24362-SLT	23-3/4 x 35-3/4	1-1/2	22 x 34	24 x 36	29-1/2 x 41-1/2	4	M306	405
22402-SLT	24 SQ	1-1/2	22-1/4 SQ	22-1/4 SQ	25-3/4 SQ	2-1/4	M306	250
22632-BP	26 SQ	1-1/2	23 SQ	28-3/4 SQ	33 SQ	2-1/4	M306	250
22532-SLT	25-1/4 SQ	1-1/2	24 SQ	24 SQ	30 SQ	2-1/2	M306	215
22532-SQH	25-1/4 SQ	1-1/2	24 SQ	24 SQ	30 SQ	2-1/2	M306	195
22532-ADA	25-1/4 SQ	1-1/2	24 SQ	24 SQ	30 SQ	2-1/2	M306	205
22712-SIN	27-3/8 SQ	1-1/16	25-1/2 SQ	25-1/2 SQ	28-3/4 SQ	1-9/16	M306	450
BSE43	27-1/2 SQ	3	26 SQ	26 SQ	36-1/4 x 33-3/8	4	M306	305
BSE44	27-1/2 SQ	3	26 SQ	26 SQ	36-1/4 SQ	4	M306	305
BSE83	27-1/2 SQ	3	26 SQ	28-5/8 SQ	36-1/4 x 33-3/8	8	M306	305
BSE84	27-1/2 SQ	3	26 SQ	28-5/8 SQ	36-1/4 SQ	8	M306	305
23132-SQH	31-1/4 SQ	1-1/2	30 SQ	30 SQ	36 SQ	2-1/2	M306	335

PRODUCT #21232-BP  
12" x 12" Frame & Grate



Flow Area  
~55 in<sup>2</sup>



Light Duty



ASTM A48



Gray Iron Class 35B



Bicycle Safe

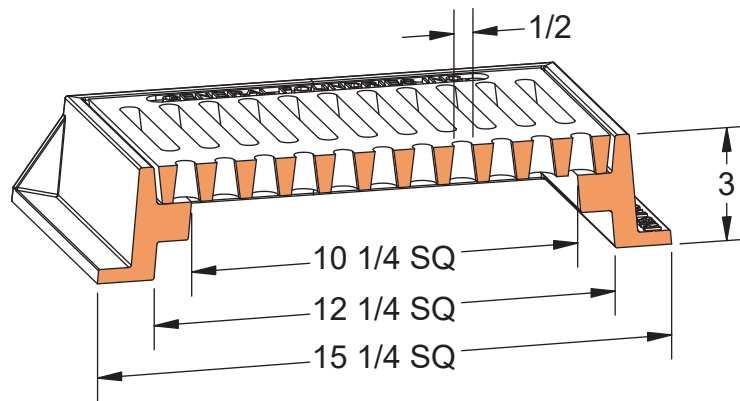
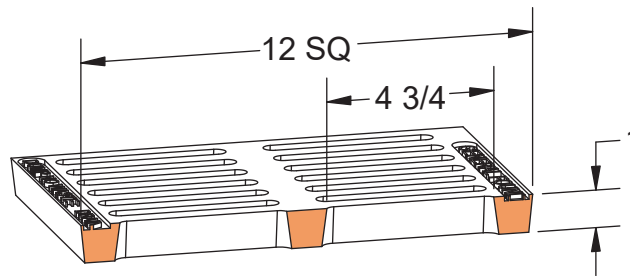
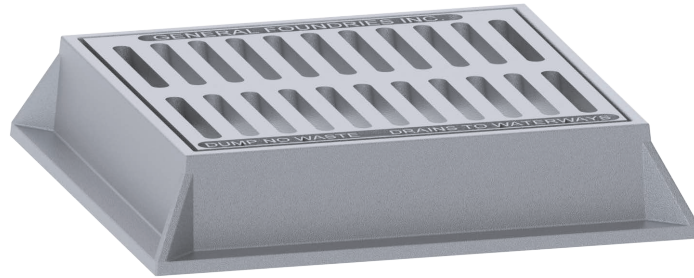


Reversible



Solid Cover Available

PRODUCT #21232-ADA  
12" x 12" Frame & Grate



Flow Area  
~55 in<sup>2</sup>



Light Duty



ASTM A48



Gray Iron Class 35B



Reversible

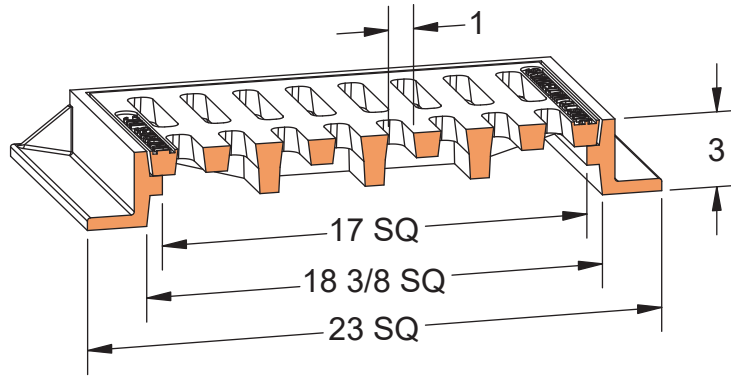
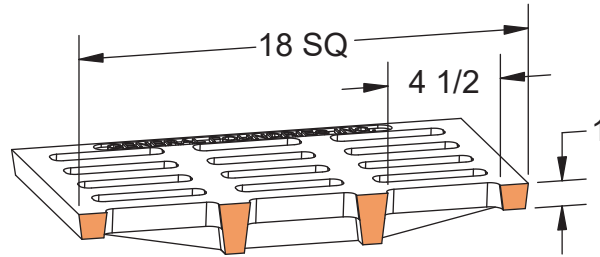
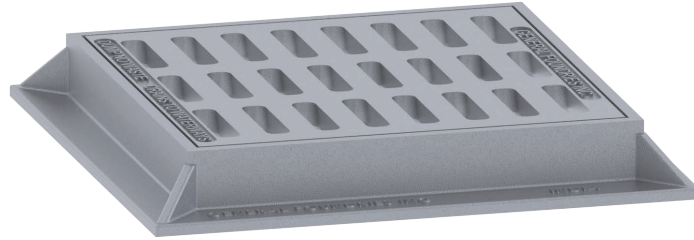


ADA Compliant



Solid Cover Available

PRODUCT #21832-SLT  
18" x 18" Frame & Grate



Flow Area  
~105 in<sup>2</sup>



Heavy Duty



AASHTO M306



ASTM A48



Gray Iron Class 35B

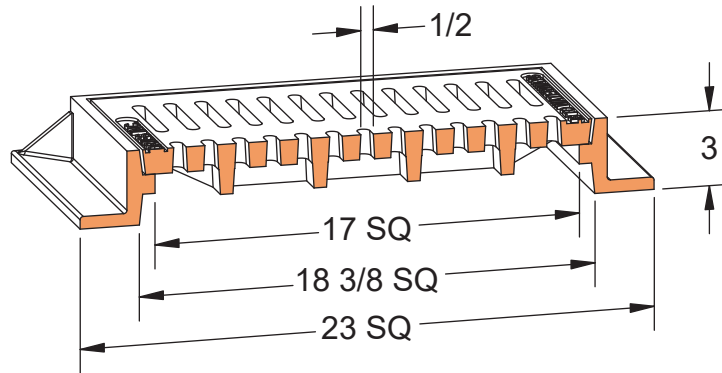
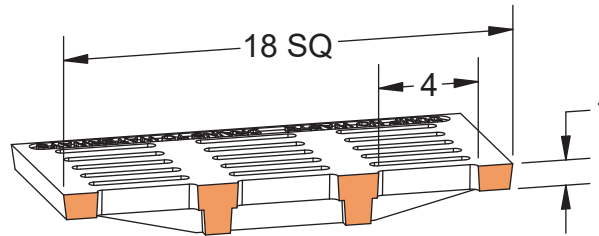
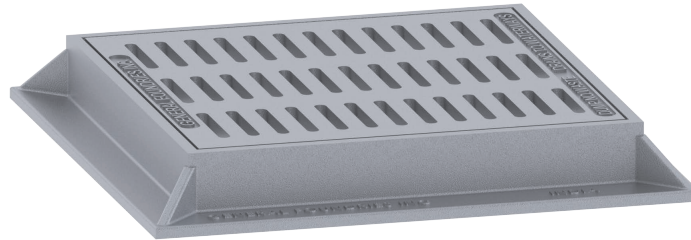


Reversible



Solid Cover Available

PRODUCT #21832-ADA  
18" x 18" Frame & Grate



Flow Area  
~105 in<sup>2</sup>



Heavy Duty



AASHTO M306



ASTM A48



Gray Iron Class 35B



Reversible

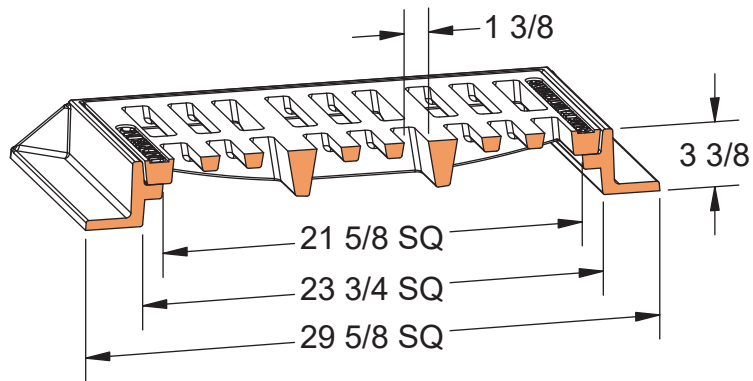
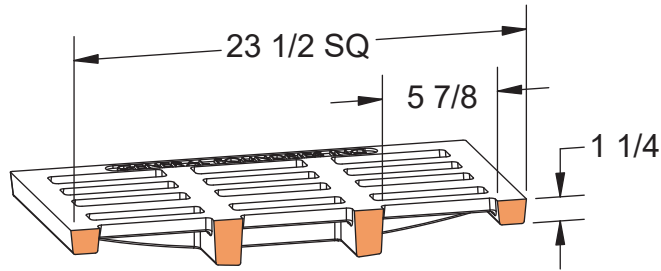
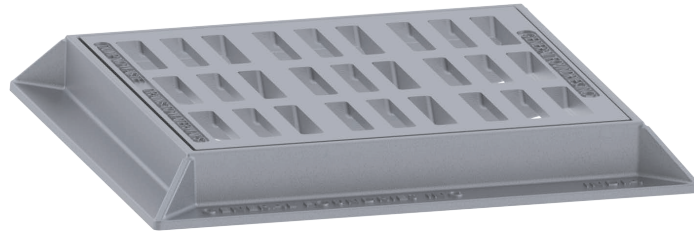


ADA Compliant



Solid Cover Available

PRODUCT #22432-SLT  
24" x 24" Frame & Grate



Flow Area  
~200 in<sup>2</sup>



Heavy Duty



AASHTO M306



ASTM A48

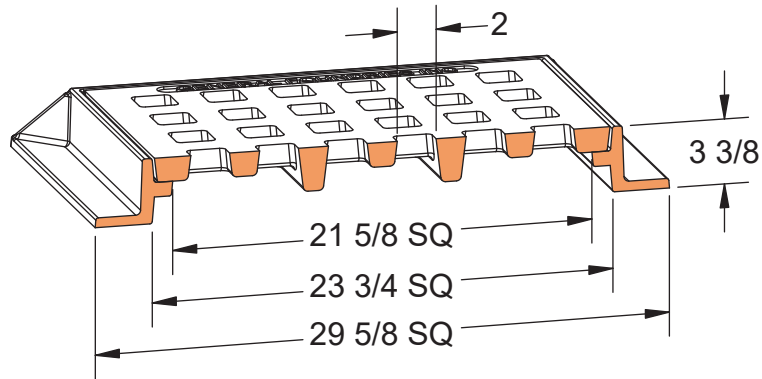
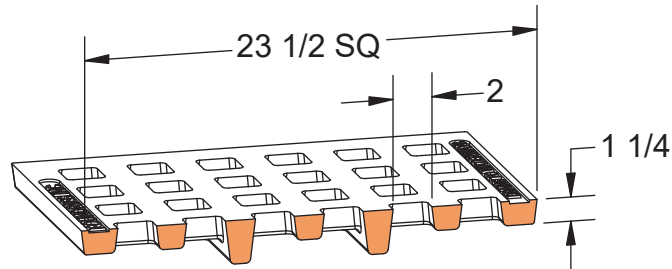
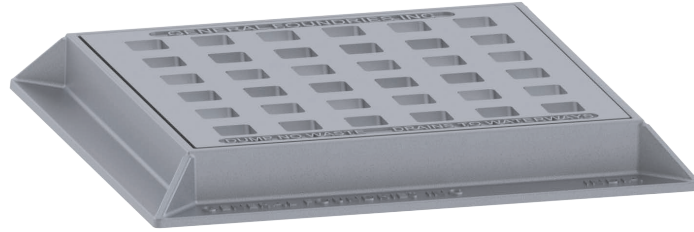


Gray Iron Class 35B



Reversible

PRODUCT #22432-SQH  
24" x 24" Frame & Grate



Flow Area  
~155 in<sup>2</sup>



Heavy Duty



AASHTO M306



ASTM A48

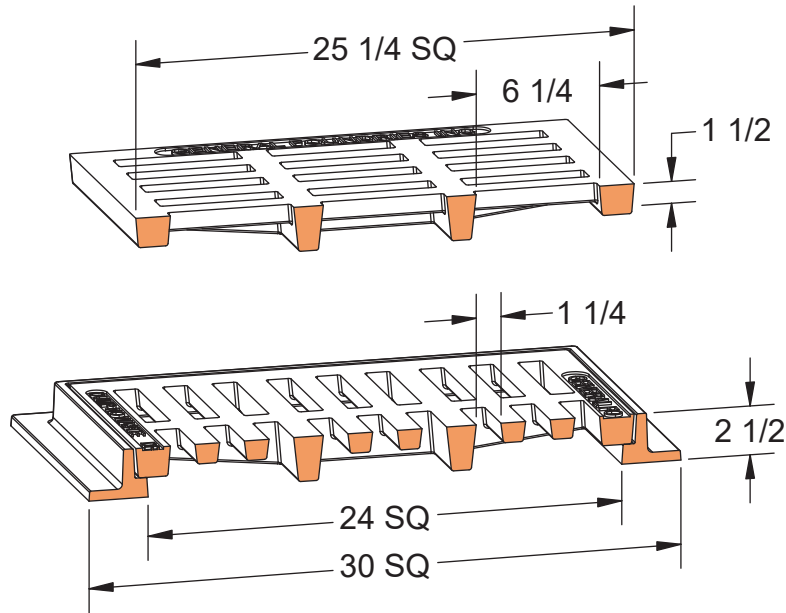
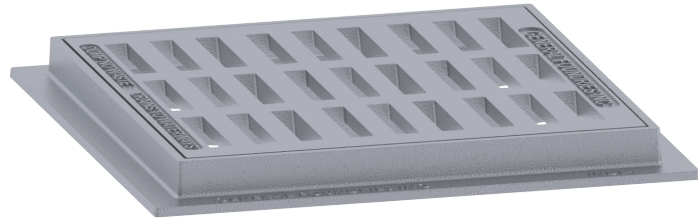


Gray Iron Class 35B



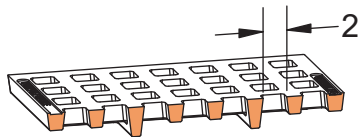
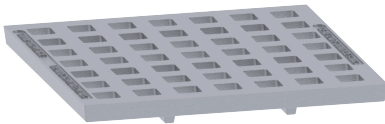
Reversible

**PRODUCT #22532-SLT**  
25" x 25" Frame & Grate



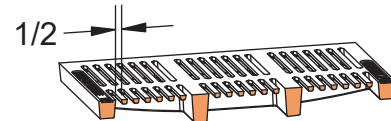
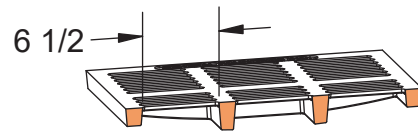
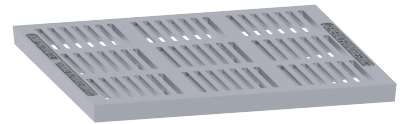
**Flow Area**  
~215 in<sup>2</sup>

**22532-SQH**



**Flow Area**  
~195 in<sup>2</sup>

**22532-ADA**



**Flow Area**  
~205 in<sup>2</sup>



Heavy Duty



AASHTO M306



ASTM A48



Gray Iron Class 35B

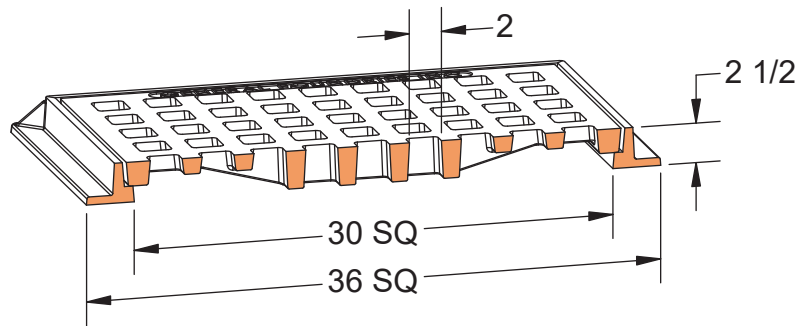
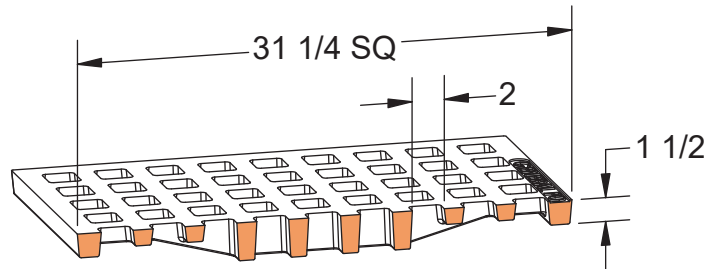
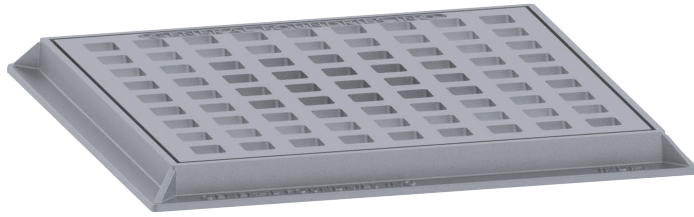


Solid Cover Available



ADA Compliant

**PRODUCT #23132-SQH**  
31" x 31" Frame & Grate



**Flow Area**  
~335 in<sup>2</sup>



Heavy Duty



AASHTO M306



ASTM A48

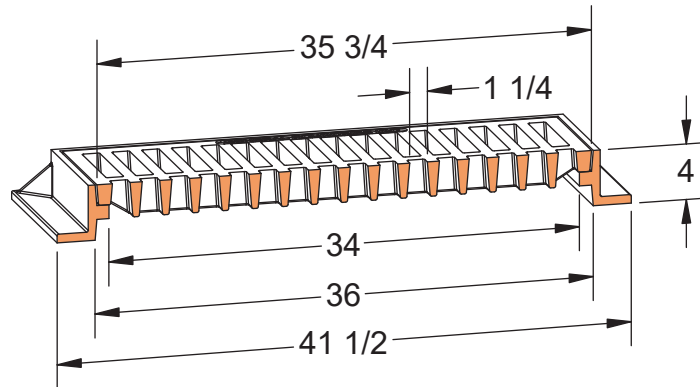
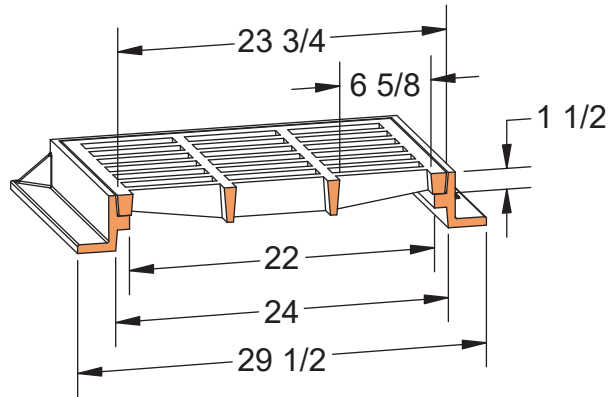
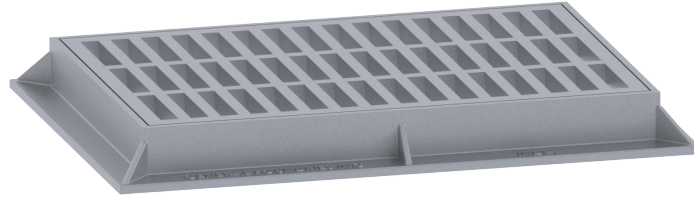


Gray Iron Class 35B



Solid Cover Available

PRODUCT #24362-SLT  
24" x 36" Frame & Grate



Flow Area  
~405 in<sup>2</sup>



Heavy Duty



H-20



Gray Iron  
Class 35B



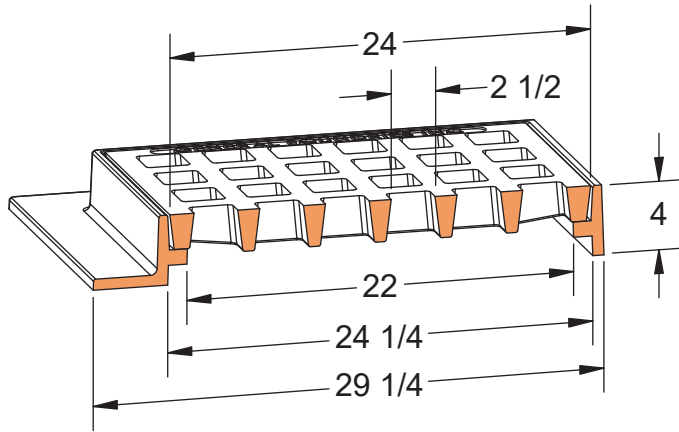
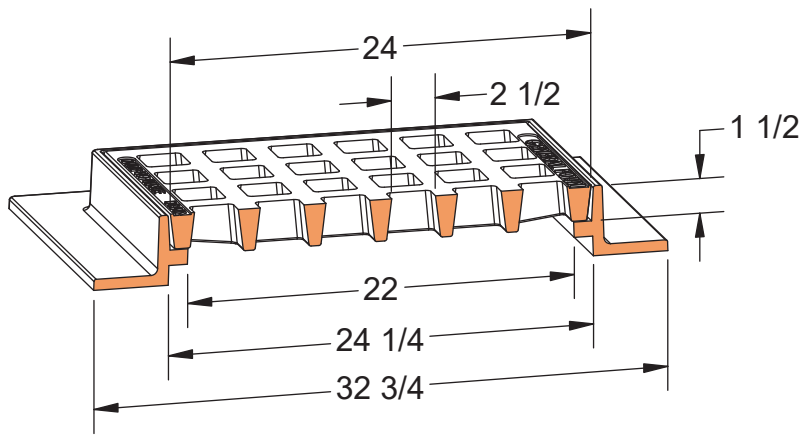
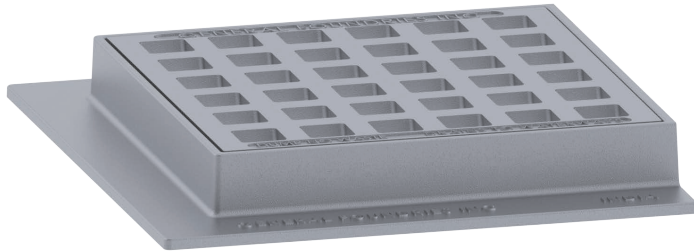
Reversible



Solid Cover  
Available

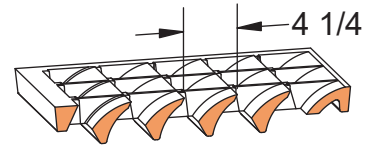
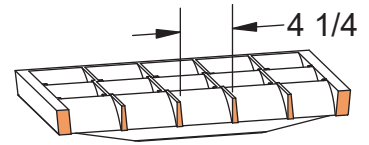
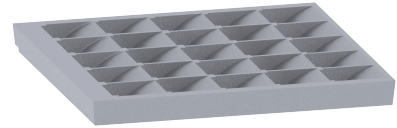
**PRODUCT #22443-SQH**

New England 4" 3 Flange Frame & Grate



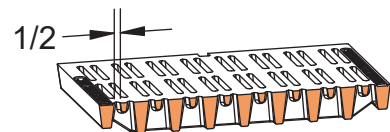
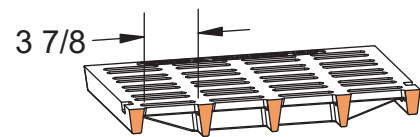
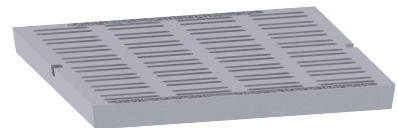
**Flow Area**  
~225 in<sup>2</sup>

**22443-CAS**



**Flow Area**  
~450 in<sup>2</sup>

**22443-ADA**



**Flow Area**  
~140 in<sup>2</sup>



Heavy Duty



AASHTO M306



Gray Iron Class 35B



Solid Cover Available



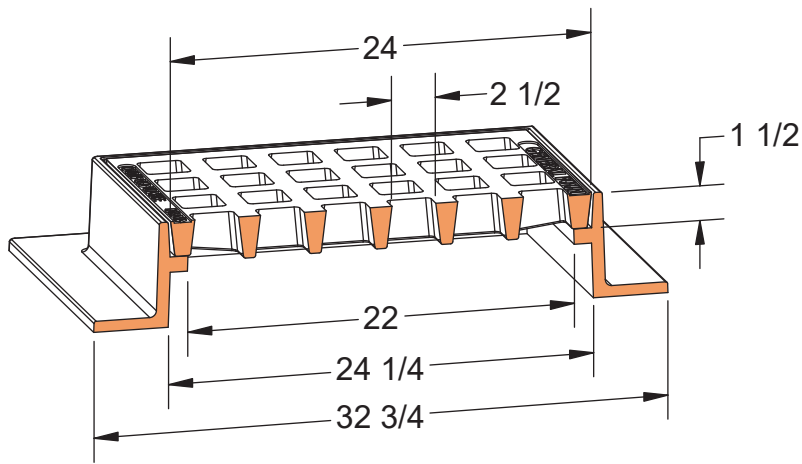
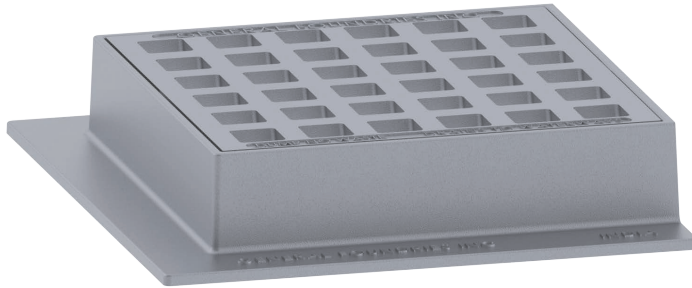
Risers Available



ADA Compliant

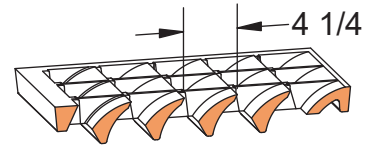
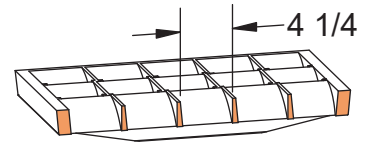
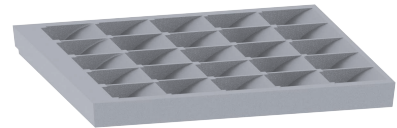
**PRODUCT #22463-SQH**

New England 6" 3 Flange Frame & Grate



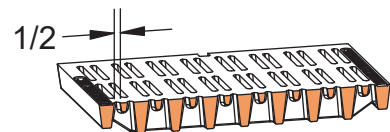
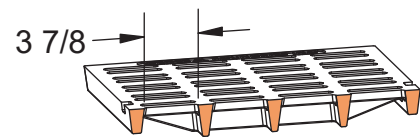
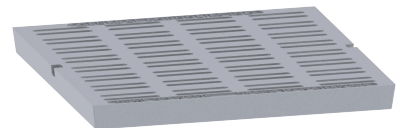
**Flow Area**  
~225 in<sup>2</sup>

**22463-CAS**



**Flow Area**  
~450 in<sup>2</sup>

**22463-ADA**



**Flow Area**  
~140 in<sup>2</sup>



Heavy Duty



AASHTO M306



Gray Iron Class 35B



Solid Cover Available



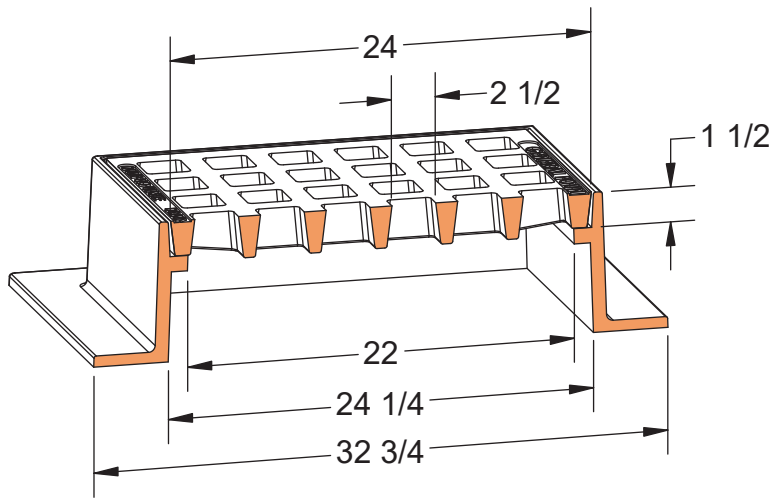
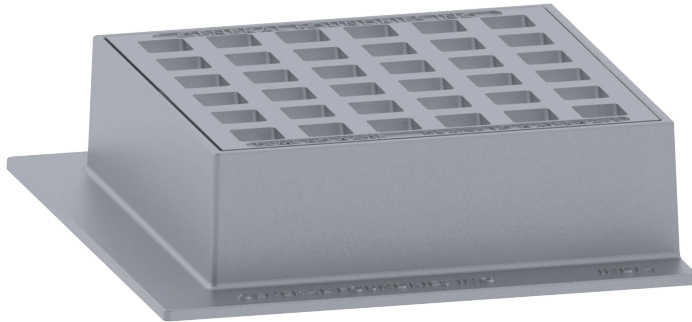
Risers Available



ADA Compliant

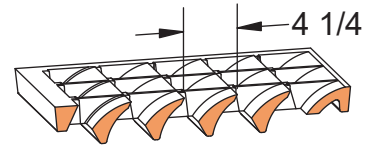
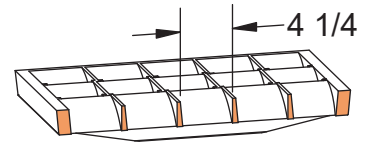
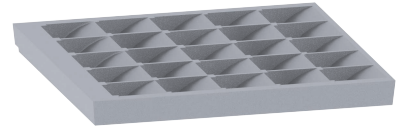
**PRODUCT #22483-SQH**

New England 8" 3 Flange Frame & Grate



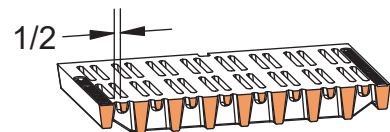
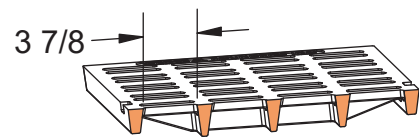
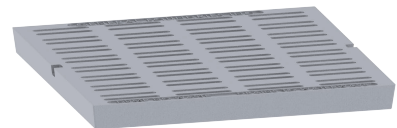
**Flow Area**  
~225 in<sup>2</sup>

**22483-CAS**



**Flow Area**  
~450 in<sup>2</sup>

**22483-ADA**



**Flow Area**  
~140 in<sup>2</sup>



Heavy Duty



AASHTO M306



Gray Iron Class 35B



Solid Cover Available



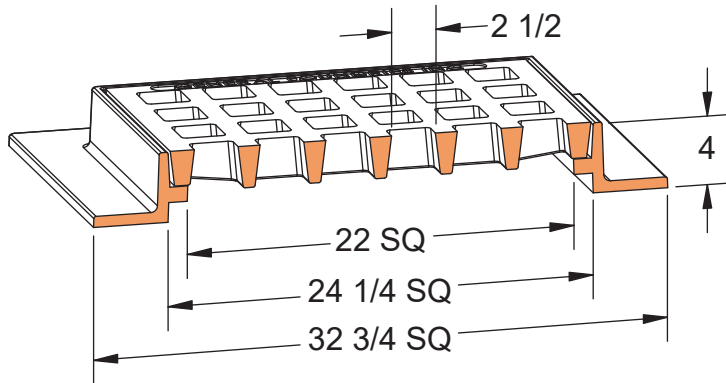
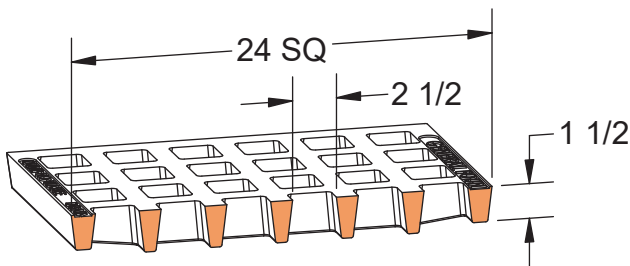
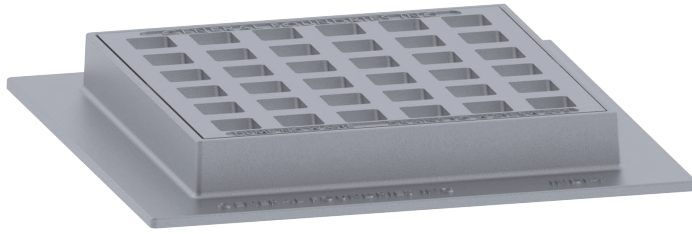
Risers Available



ADA Compliant

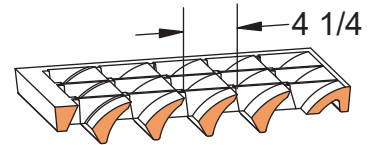
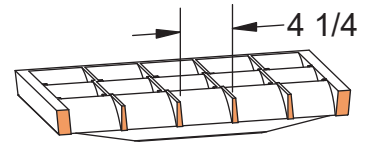
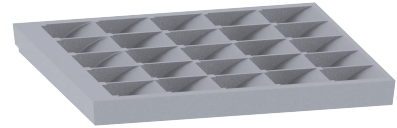
**PRODUCT #22444-SQH**

New England 4" 4 Flange Frame & Grate



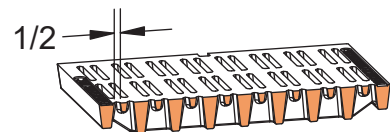
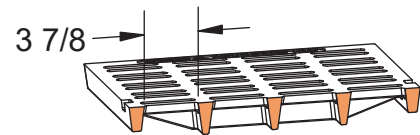
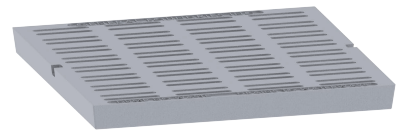
**Flow Area**  
~225 in<sup>2</sup>

**22444-CAS**



**Flow Area**  
~450 in<sup>2</sup>

**22444-ADA**



**Flow Area**  
~140 in<sup>2</sup>



Heavy Duty



AASHTO M306



Gray Iron Class 35B



Solid Cover Available



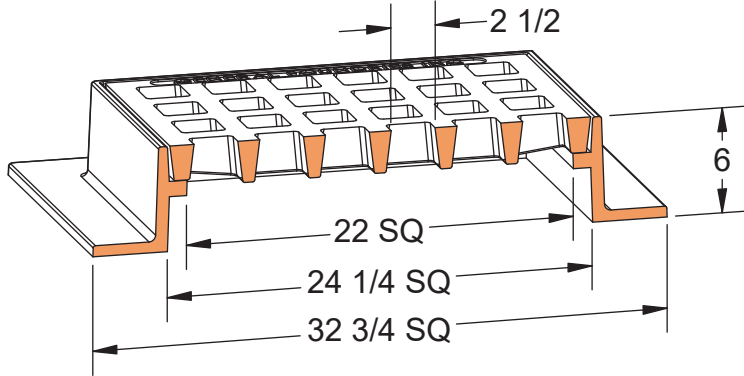
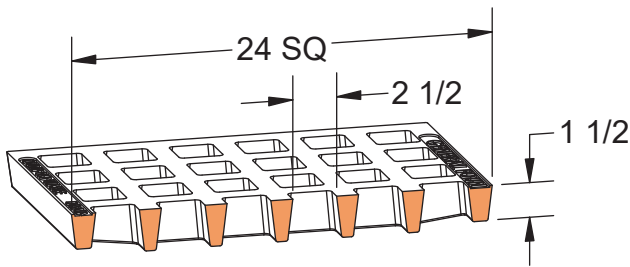
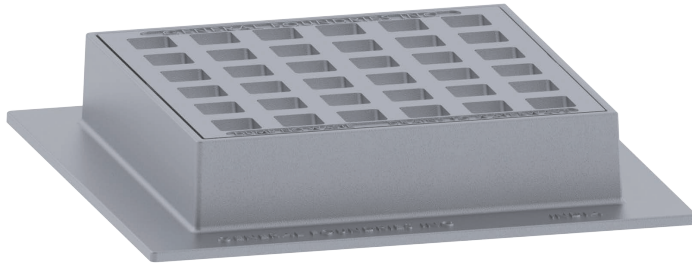
Risers Available



ADA Compliant

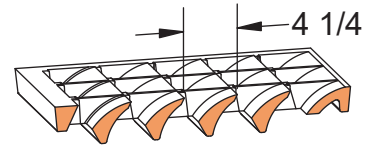
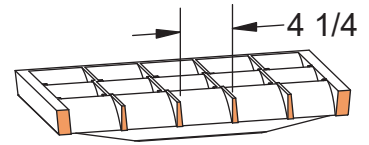
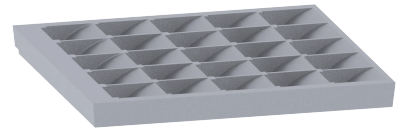
**PRODUCT #22464-SQH**

New England 6" 4 Flange Frame & Grate



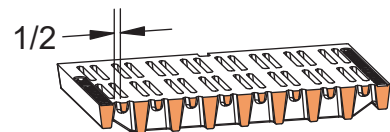
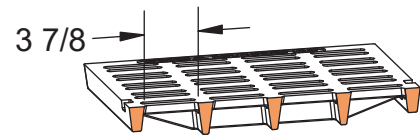
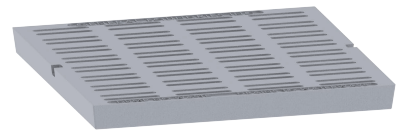
**Flow Area**  
~225 in<sup>2</sup>

**22464-CAS**



**Flow Area**  
~450 in<sup>2</sup>

**22464-ADA**



**Flow Area**  
~140 in<sup>2</sup>



Heavy Duty



AASHTO M306



Gray Iron Class 35B



Solid Cover Available



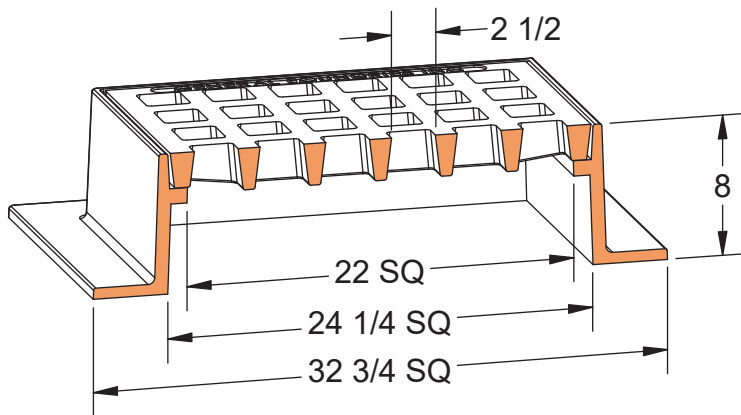
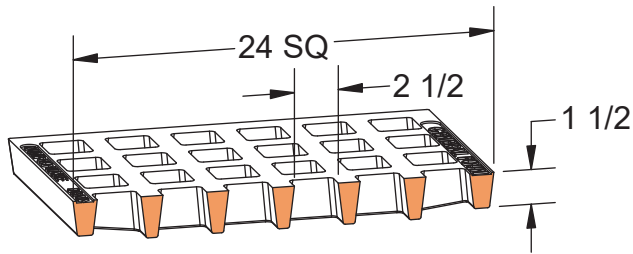
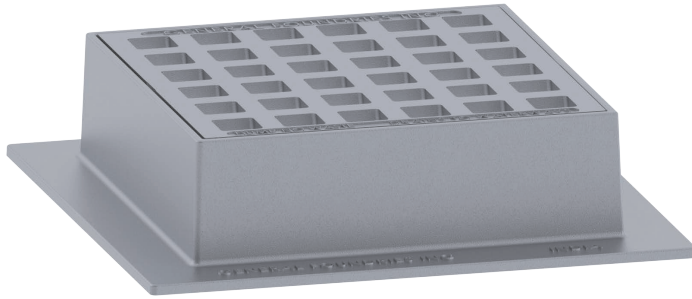
Risers Available



ADA Compliant

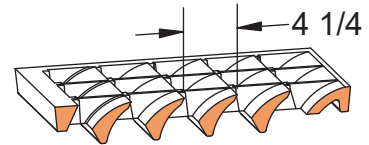
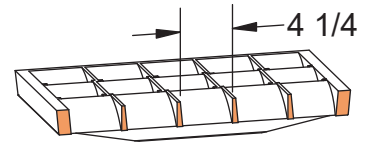
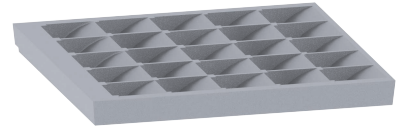
**PRODUCT #22484-SQH**

New England 8" 4 Flange Frame & Grate



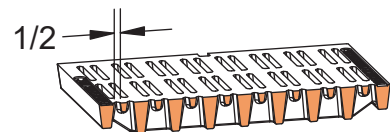
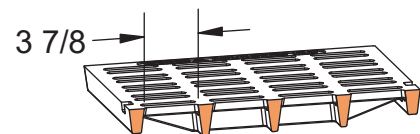
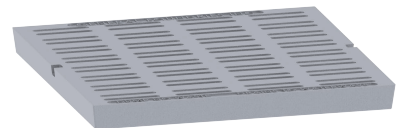
**Flow Area**  
~225 in<sup>2</sup>

**22484-CAS**



**Flow Area**  
~450 in<sup>2</sup>

**22484-ADA**



**Flow Area**  
~140 in<sup>2</sup>



Heavy Duty



AASHTO M306



Gray Iron Class 35B



Solid Cover Available



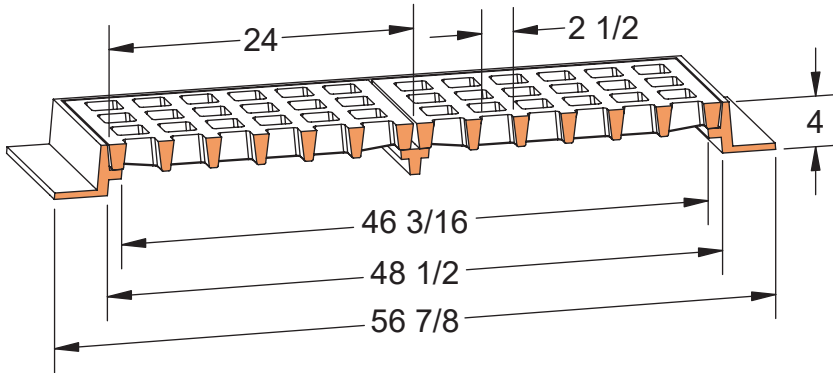
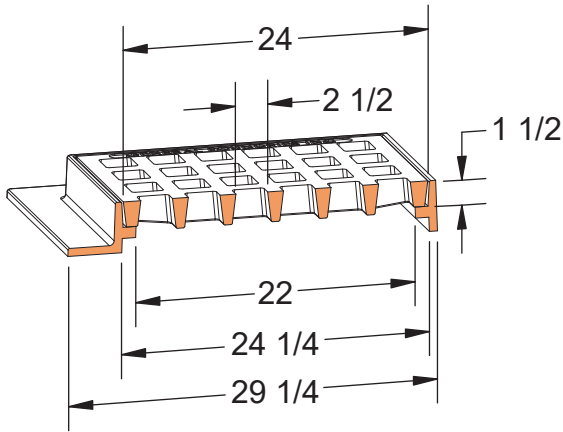
Risers Available



ADA Compliant

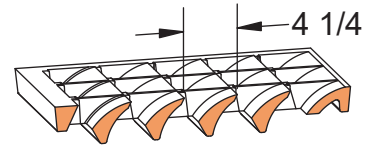
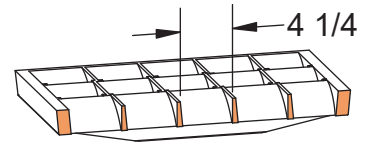
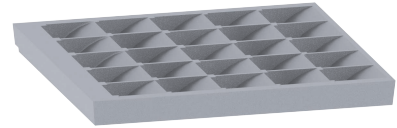
**PRODUCT #24843-SQH**

New England 4" 3 Flange Frame & Grate



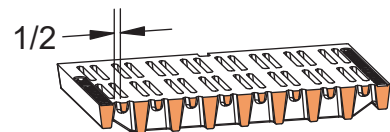
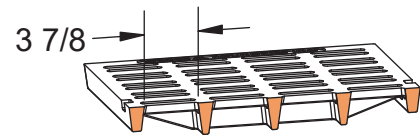
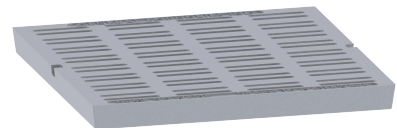
**Flow Area**  
~225 in<sup>2</sup>

**24843-CAS**



**Flow Area**  
~450 in<sup>2</sup>

**24843-ADA**



**Flow Area**  
~140 in<sup>2</sup>



Heavy Duty



AASHTO M306



Gray Iron Class 35B



Solid Cover Available



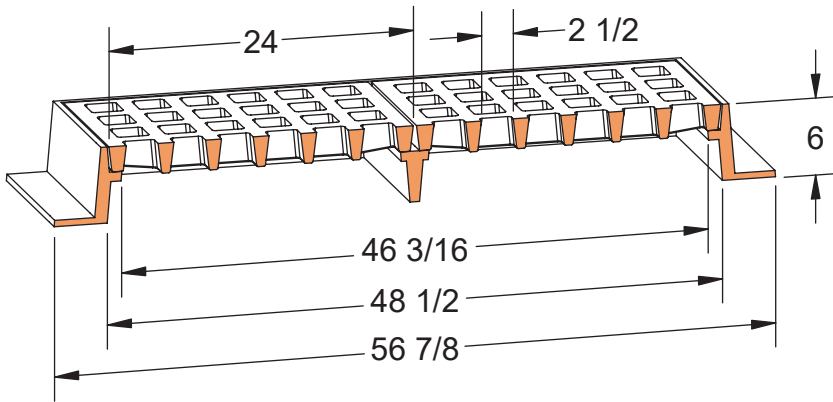
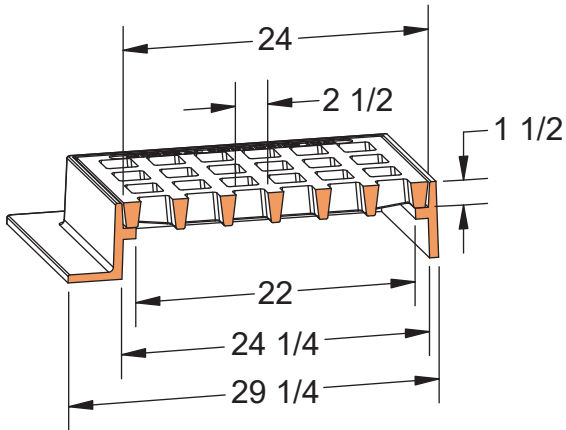
Risers Available



ADA Compliant

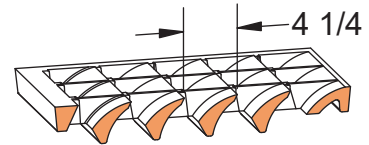
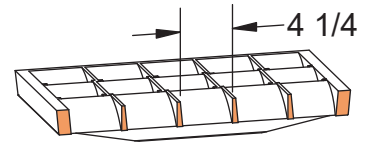
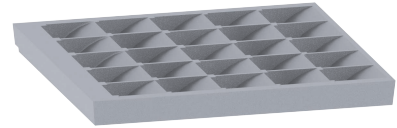
**PRODUCT #24863-SQH**

New England 6" 3 Flange Frame & Grate



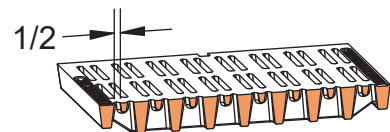
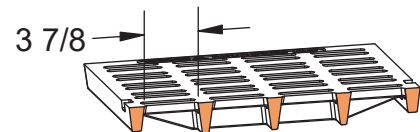
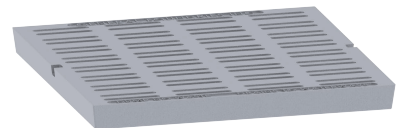
**Flow Area**  
~225 in<sup>2</sup>

**24863-CAS**



**Flow Area**  
~450 in<sup>2</sup>

**24863-ADA**



**Flow Area**  
~140 in<sup>2</sup>



Heavy Duty



AASHTO M306



Gray Iron Class 35B



Solid Cover Available



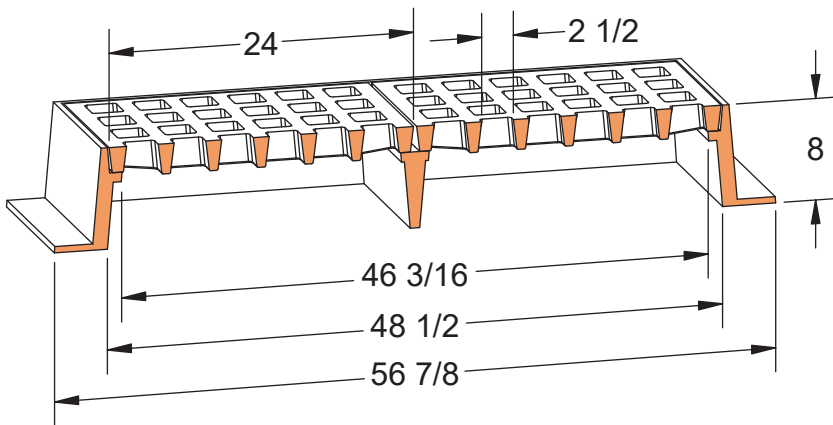
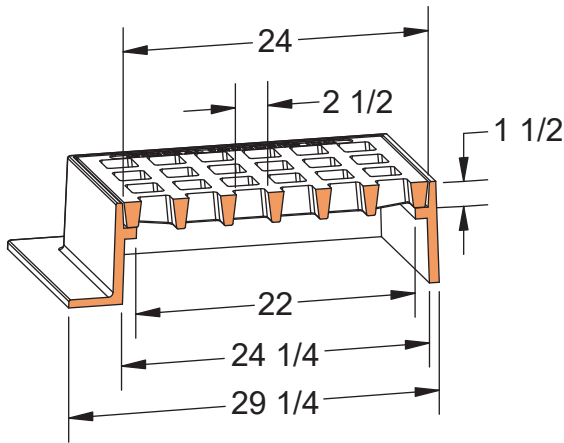
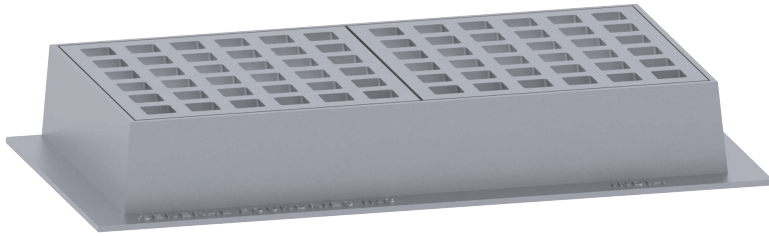
Risers Available



ADA Compliant

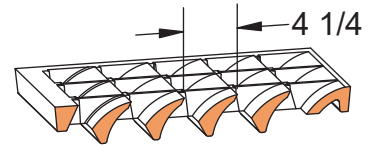
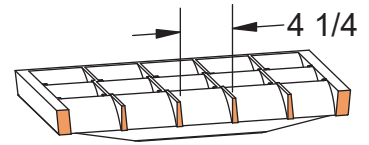
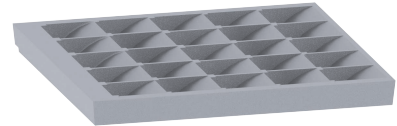
**PRODUCT #24883-SQH**

New England 8" 3 Flange Frame & Grate



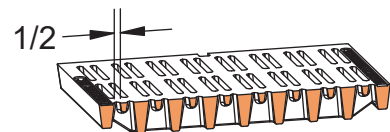
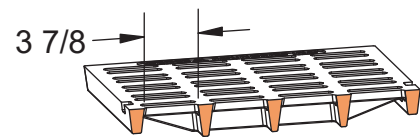
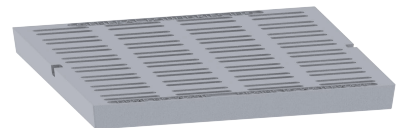
**Flow Area**  
~225 in<sup>2</sup>

**24883-CAS**



**Flow Area**  
~450 in<sup>2</sup>

**24883-ADA**



**Flow Area**  
~140 in<sup>2</sup>



Heavy Duty



AASHTO M306



Gray Iron Class 35B



Solid Cover Available



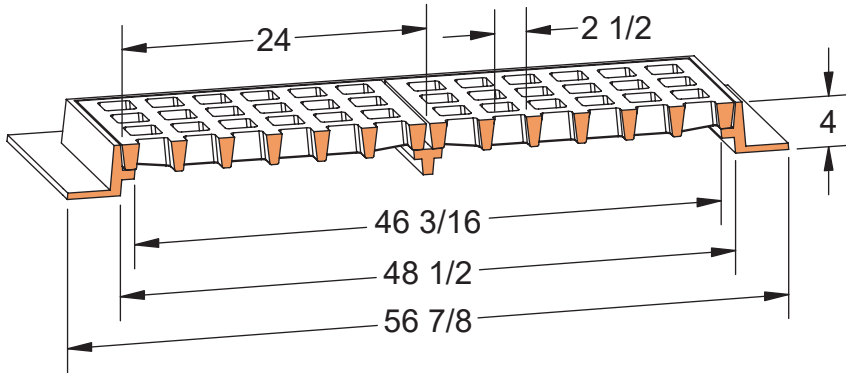
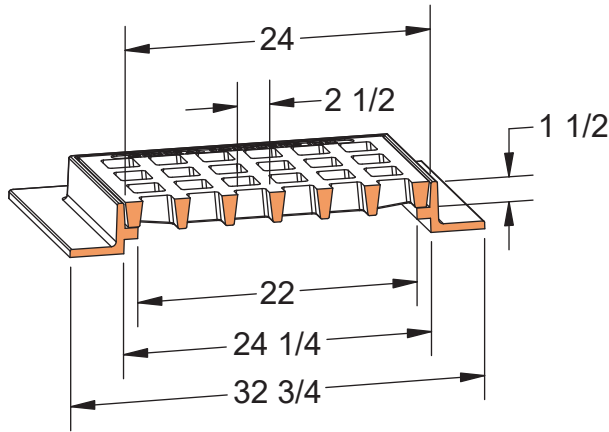
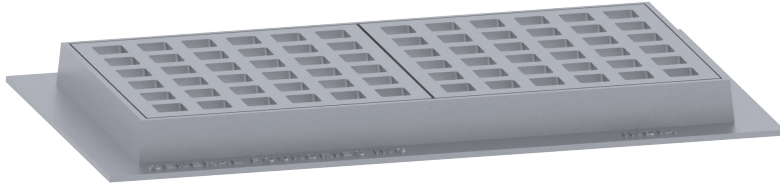
Risers Available



ADA Compliant

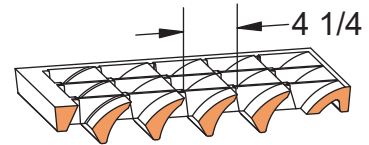
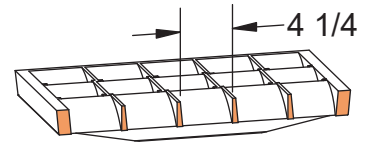
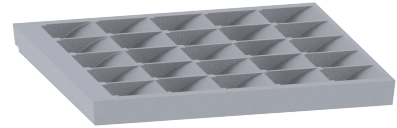
**PRODUCT #24844-SQH**

New England 4" 4 Flange Frame & Grate



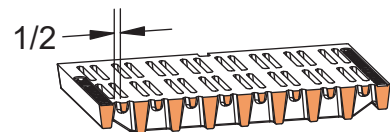
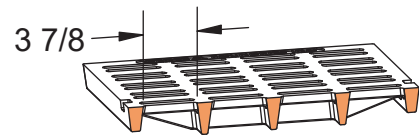
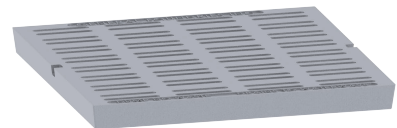
**Flow Area**  
~225 in<sup>2</sup>

**24844-CAS**



**Flow Area**  
~450 in<sup>2</sup>

**24844-ADA**



**Flow Area**  
~140 in<sup>2</sup>



Heavy Duty



AASHTO M306



Gray Iron Class 35B



Solid Cover Available



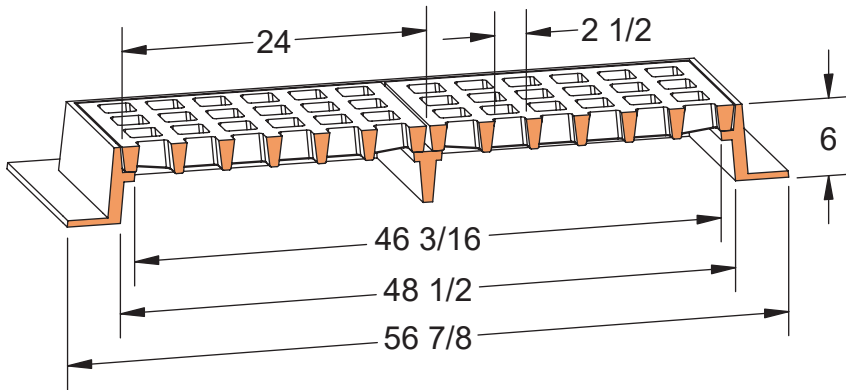
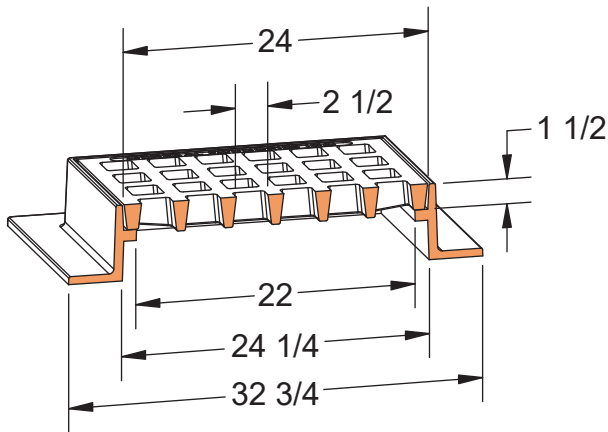
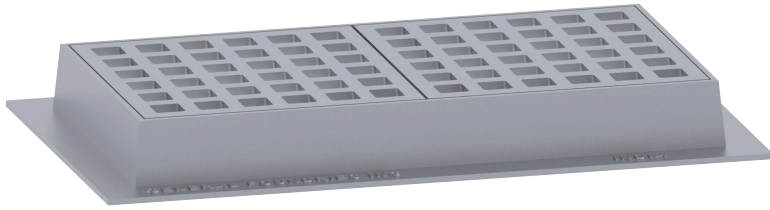
Risers Available



ADA Compliant

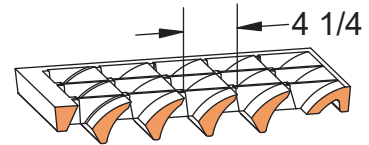
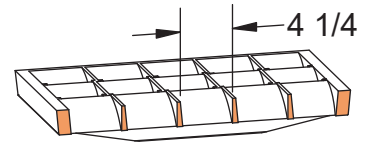
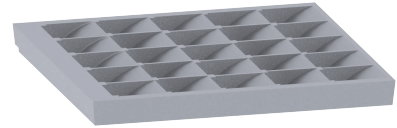
**PRODUCT #24864-SQH**

New England 6" 4 Flange Frame & Grate



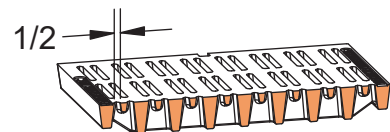
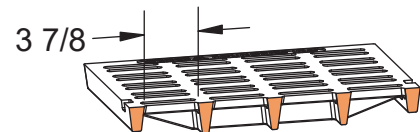
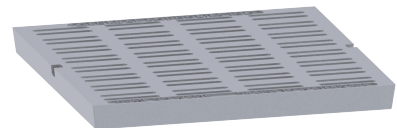
**Flow Area**  
~225 in<sup>2</sup>

**24864-CAS**



**Flow Area**  
~450 in<sup>2</sup>

**24864-ADA**



**Flow Area**  
~140 in<sup>2</sup>



Heavy Duty



AASHTO M306



Gray Iron Class 35B



Solid Cover Available



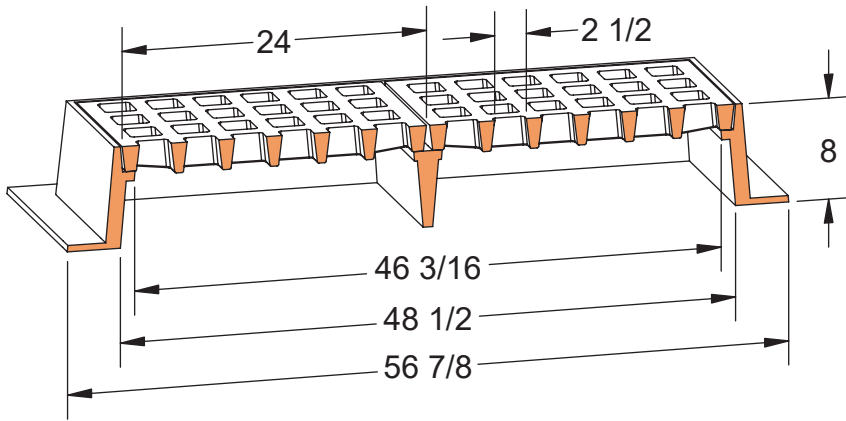
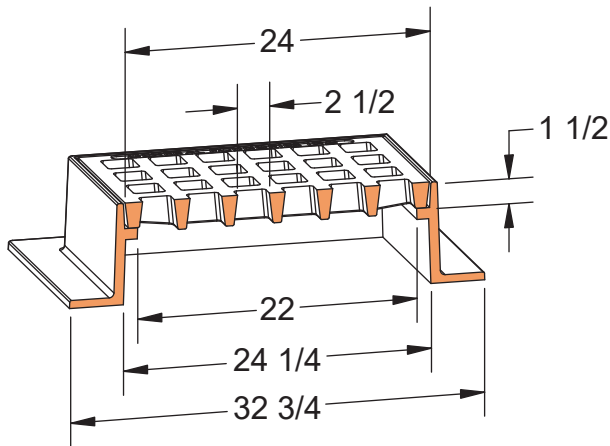
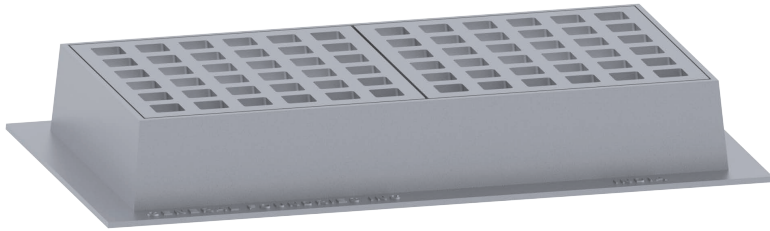
Risers Available



ADA Compliant

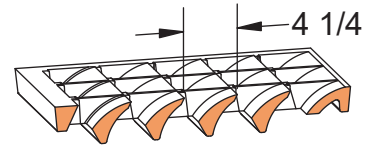
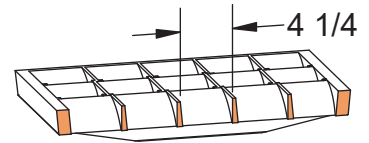
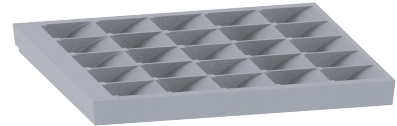
**PRODUCT #24884-SQH**

New England 8" 4 Flange Frame & Grate



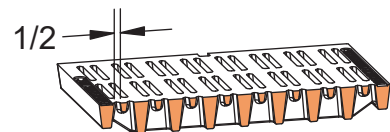
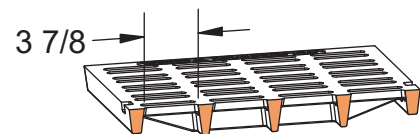
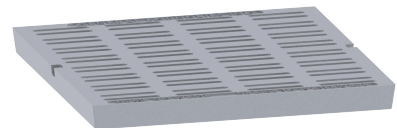
**Flow Area**  
~225 in<sup>2</sup>

**24884-CAS**



**Flow Area**  
~450 in<sup>2</sup>

**24884-ADA**



**Flow Area**  
~140 in<sup>2</sup>



Heavy Duty



AASHTO M306



Gray Iron Class 35B



Solid Cover Available



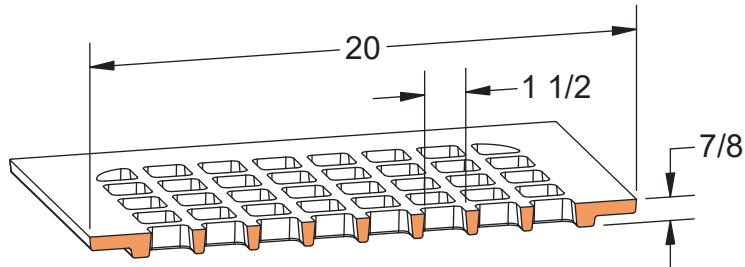
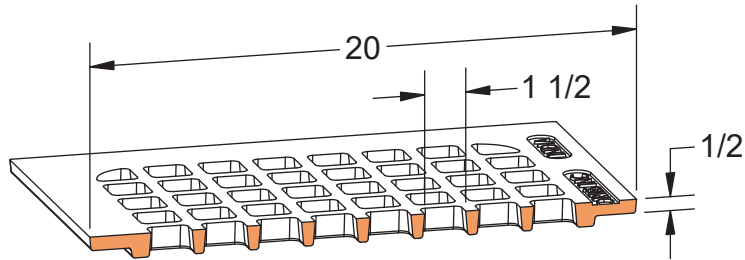
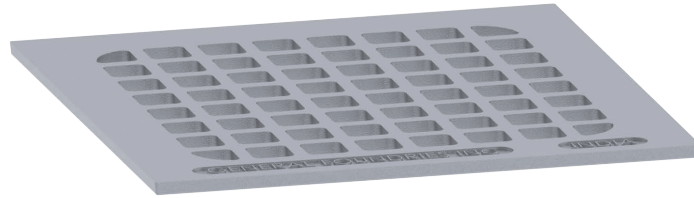
Risers Available



ADA Compliant

PRODUCT #22002-SUMP

Q87 20" x 20" Grate



Flow Area  
~140 in<sup>2</sup>



Light  
Duty

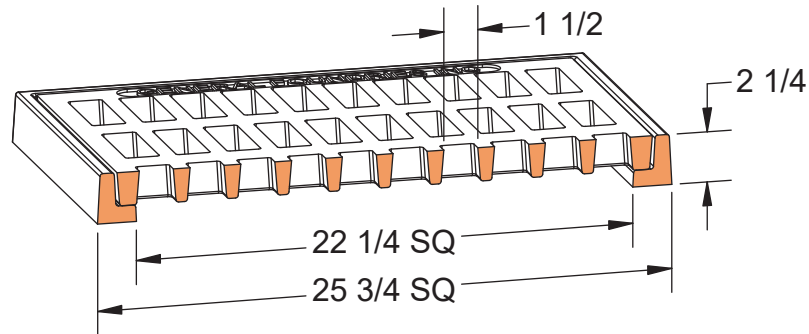
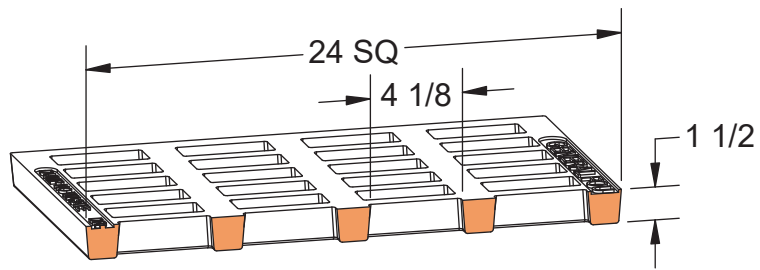
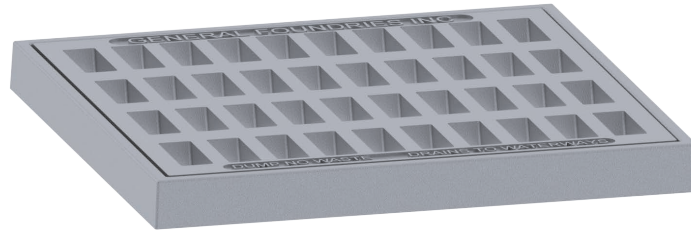


ASTM  
A48



Gray Iron  
Class 35B

PRODUCT #22402-SLT  
M2 24" x 24" Frame & Grate



Flow Area  
~250 in<sup>2</sup>



Heavy Duty



AASHTO M306

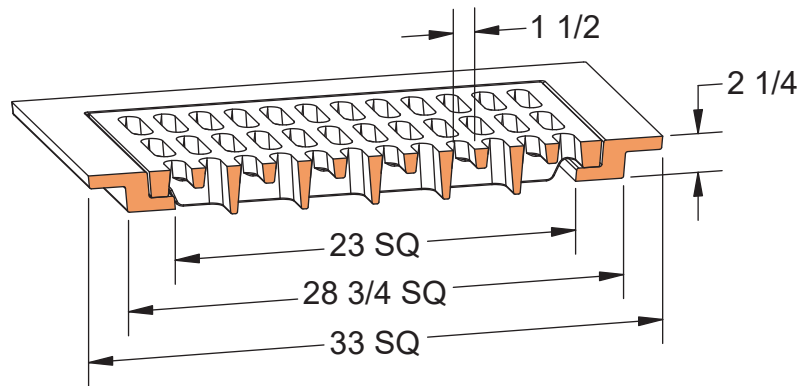
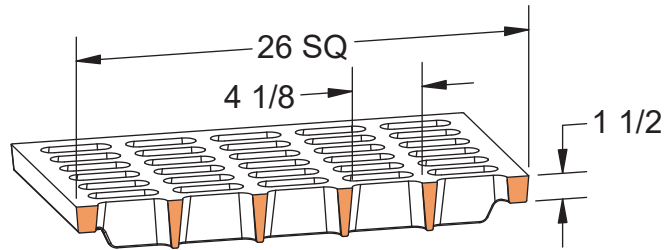
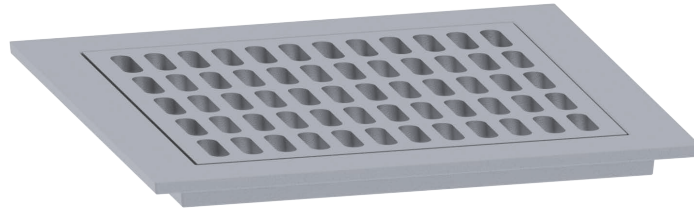


ASTM A48



Gray Iron Class 35B

**PRODUCT #22632-BP**  
26" x 26" Slab Frame & Grate



**Flow Area**  
~250 in<sup>2</sup>



Heavy Duty



AASHTO M306



ASTM A48

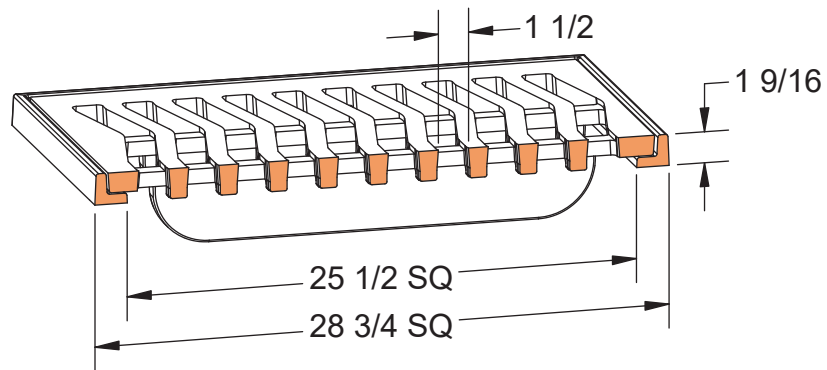
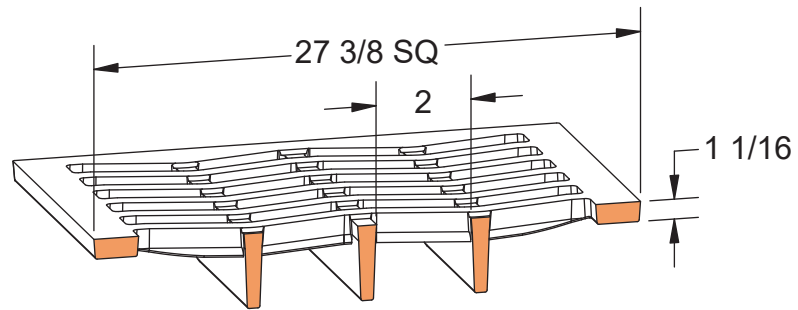
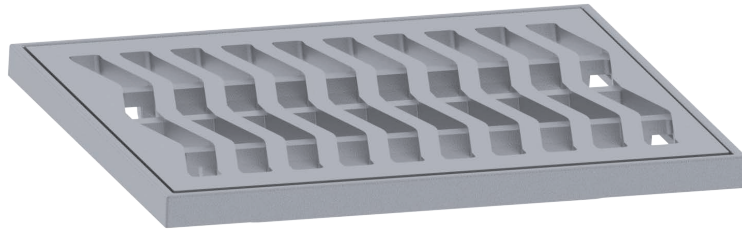


Gray Iron Class 35B



Bicycle Safe

PRODUCT #22712-SIN  
M3 27" x 27" Frame & Grate



Flow Area  
~450 in<sup>2</sup>



Heavy Duty



AASHTO M306

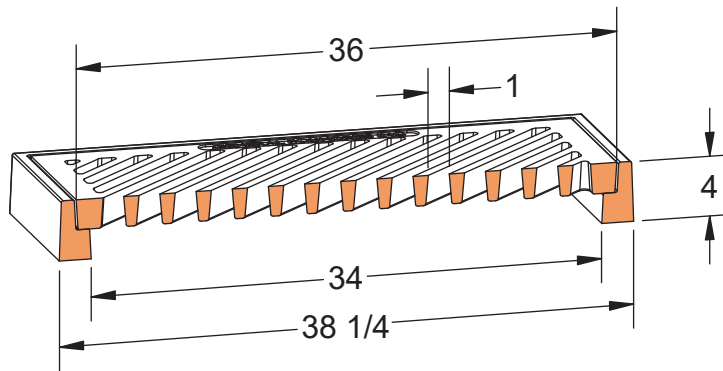
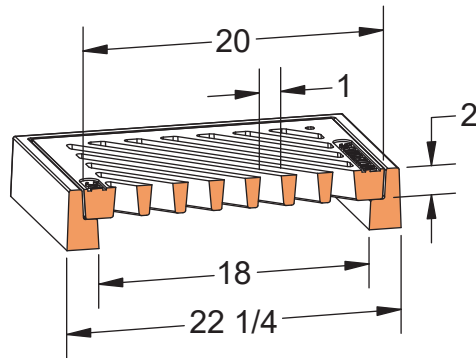
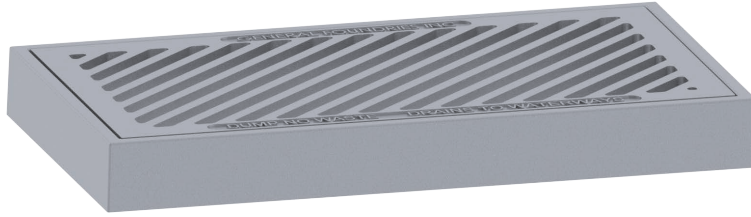


ASTM A48



Gray Iron Class 35B

**PRODUCT #20364-DIA**  
Pennsylvania Frame & Grate



**Flow Area**  
~305 in<sup>2</sup>



Light  
Duty

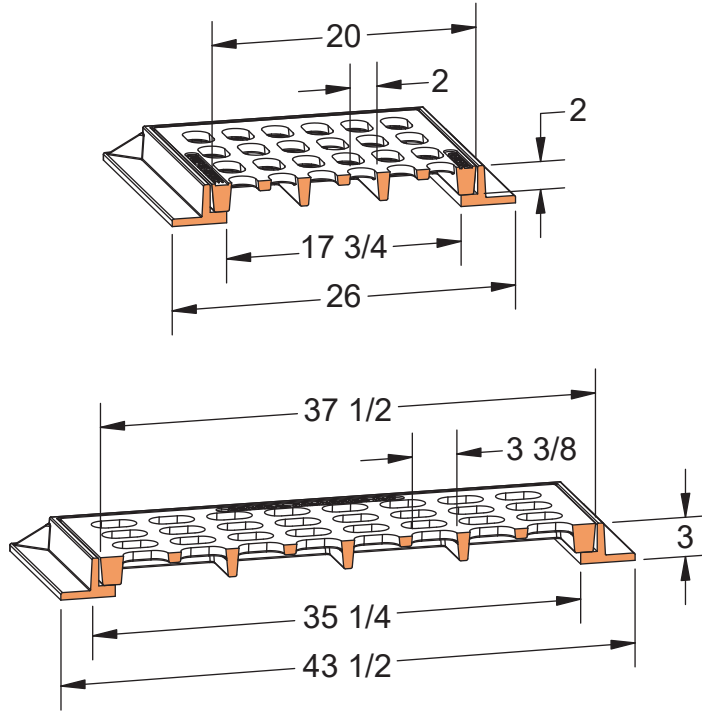
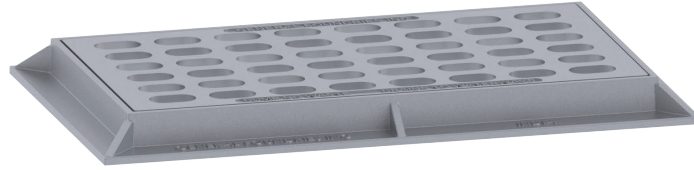


ASTM  
A48



Gray Iron  
Class 35B

PRODUCT #20372-OVL  
Brookhaven Frame & Grate



Flow Area  
~285 in<sup>2</sup>



Heavy Duty



H-20



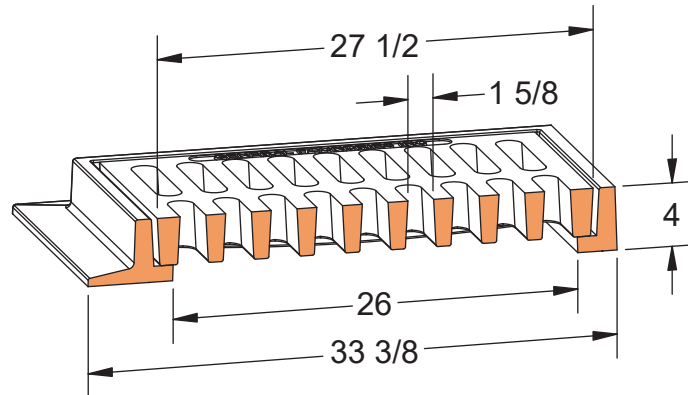
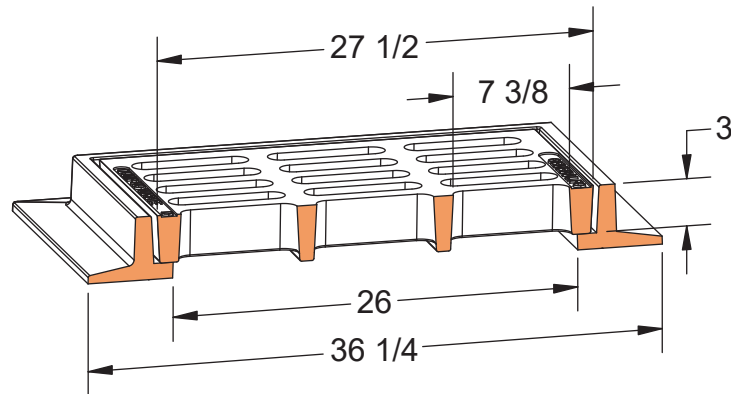
ASTM A48



Gray Iron Class 35B

**PRODUCT #BSE43**

BWSC E 4" 3 Flange Frame & Grate



**Flow Area**  
~305 in<sup>2</sup>



Heavy Duty



AASHTO M306



ASTM A48



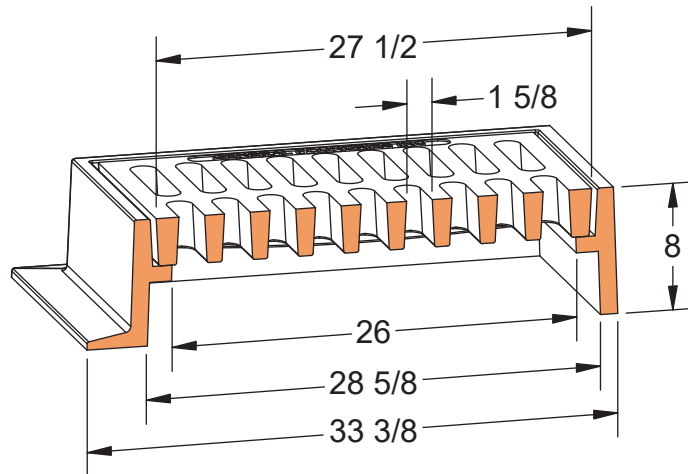
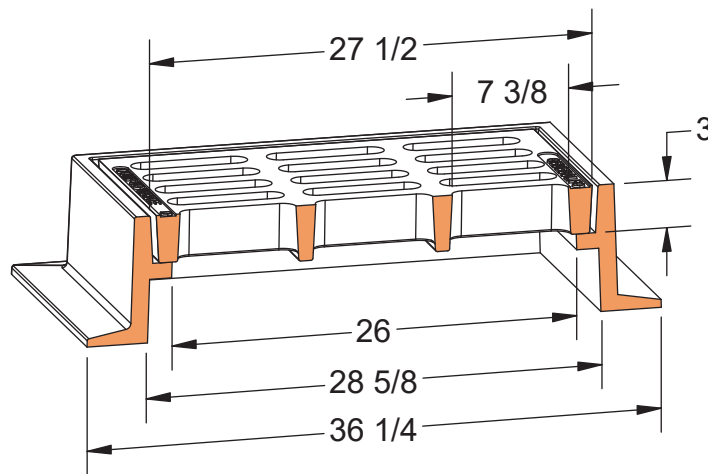
Gray Iron Class 35B



Bicycle Safe

**PRODUCT #BSE83**

BWSC E 8" 3 Flange Frame & Grate



**Flow Area**  
~305 in<sup>2</sup>



Heavy Duty



AASHTO M306



ASTM A48



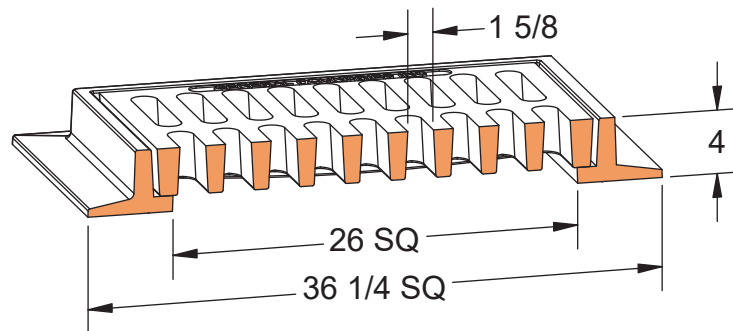
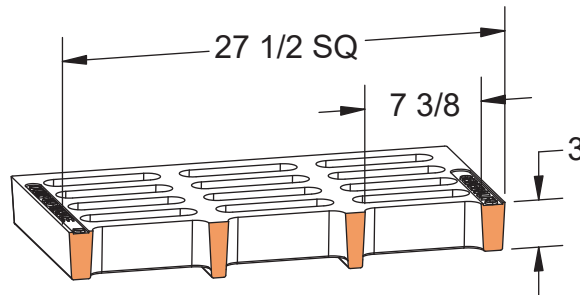
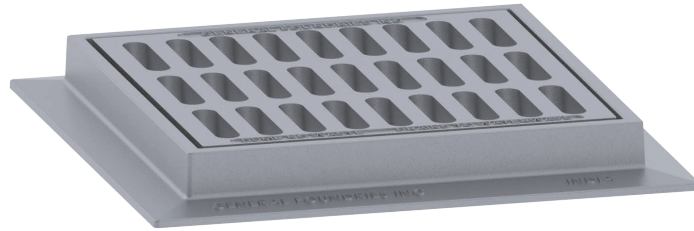
Gray Iron Class 35B



Bicycle Safe

**PRODUCT #BSE44**

BWSC E 4" 4 Flange Frame & Grate



**Flow Area**  
~305 in<sup>2</sup>



Heavy Duty



AASHTO M306



ASTM A48

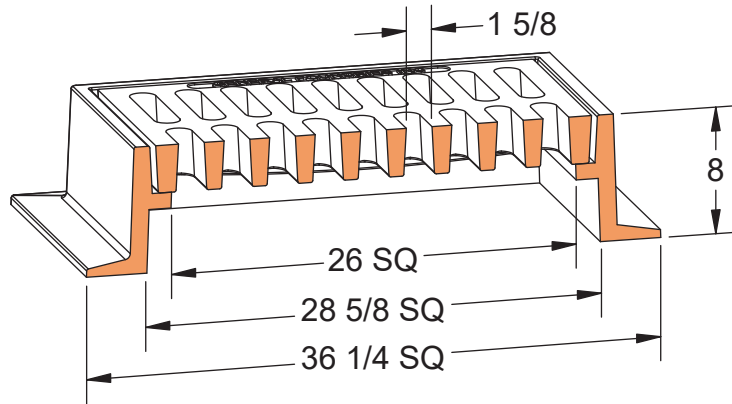
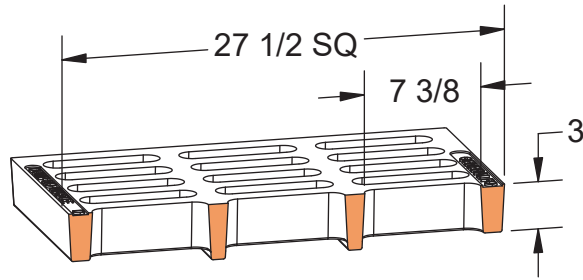
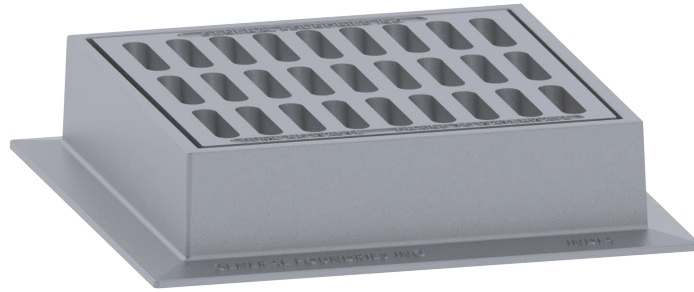


Gray Iron Class 35B



Bicycle Safe

**PRODUCT #BSE84**  
BWSC E 8" 4 Flange Frame & Grate



**Flow Area**  
~305 in<sup>2</sup>



Heavy Duty



AASHTO M306



ASTM A48



Gray Iron Class 35B



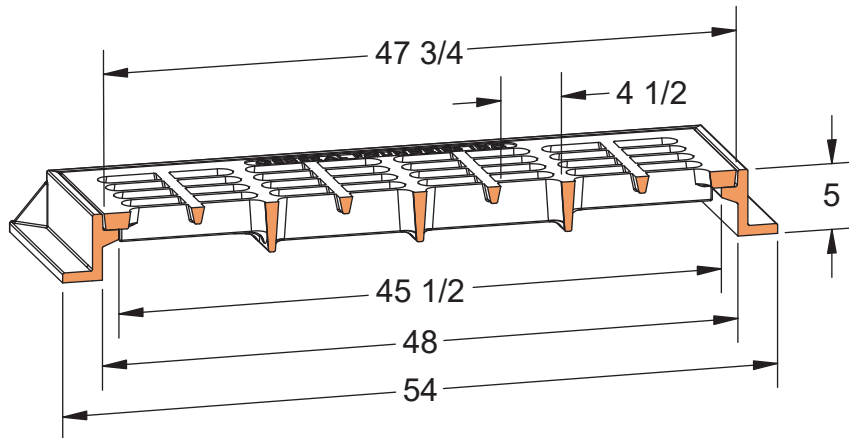
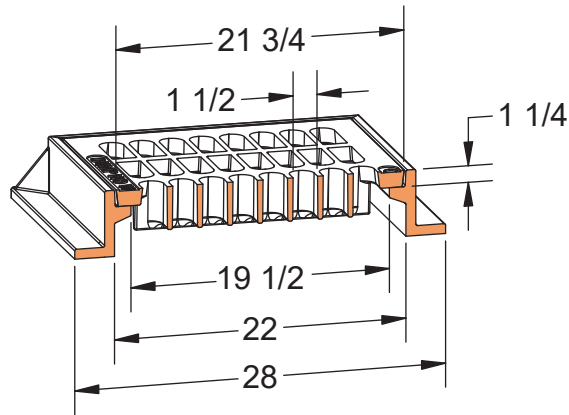
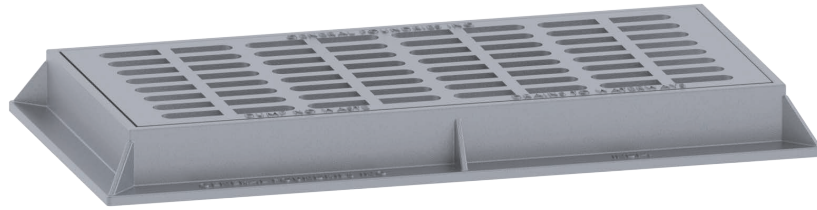
Bicycle Safe

**Inlet Frames & Grates Summary**

Summary of inlet frames and grates listed in order of smallest **clear opening** and **frame height**.

Product	Grate Dimensions	Seat Height	Clear Opening	Frame Seat ID	Frame Seat OD	Frame Height	Load Rating	Flow Area(in <sup>2</sup> )
23405	21-3/4 x 47-3/4	1-1/4	19-1/2 x 45-1/2	22 x 48	28 x 54	5	M306	415
23425	21-3/4 x 47-3/4	1-1/4	19-7/8 x 45-1/2	45 x 48	51 x 54	5	M306	415
23407	25-3/4 x 47-3/4	1-1/4	23-1/2 x 45-1/2	26 x 48	32 x 54	5	M306	415
23408	30 x 49-1/2	1-1/4	23-1/2 x 45-1/2	30-1/4 x 49-1/2	36 x 55-1/2	5	M306	600
22633-6R	21-3/4 x 35-3/4	1-1/4	28-7/8 x 33-3/4	30 x 36	36 x 42	5-1/2	M306	310
22633-8R	21-3/4 x 35-3/4	1-1/4	28-7/8 x 33-3/4	30 x 36	36 x 42	5-1/2	M306	310
22596-6N	25-3/4 x 47-3/4	1-1/4	28-7/8 x 45-1/2	31 x 48	37 x 54	5-1/2	M306	415
22596-8N	25-3/4 x 47-3/4	1-1/4	28-7/8 x 45-1/2	31 x 48	37 x 54	5-1/2	M306	415
22596-6R	25-3/4 x 47-3/4	1-1/4	28-7/8 x 45-1/2	31 x 48	37 x 54	5-1/2	M306	415
22596-8R	25-3/4 x 47-3/4	1-1/4	28-7/8 x 45-1/2	31 x 48	37 x 54	5-1/2	M306	415
22617-6N	21-3/4 x 47-3/4	1-1/4	28-7/8 x 45-3/4	30 x 48	36 x 54	5-1/2	M306	415
22617-8N	21-3/4 x 47-3/4	1-1/4	28-7/8 x 45-3/4	30 x 48	36 x 54	5-1/2	M306	415
22617-6R	21-3/4 x 47-3/4	1-1/4	28-7/8 x 45-3/4	30 x 48	36 x 54	5-1/2	M306	415
22617-8R	21-3/4 x 47-3/4	1-1/4	28-7/8 x 45-3/4	30 x 48	36 x 54	5-1/2	M306	415
22639-6R	30 x 49-1/4	1-1/4	35 x 46-3/4	36 x 49	42 x 54	5-1/2	M306	600
22639-8R	30 x 49-1/4	1-1/4	35 x 46-3/4	36 x 49	42 x 54	5-1/2	M306	600
22618-6N	21-3/4 x 47-3/4	1-1/4	39-1/2 x 45-1/2	42 x 48	48 x 54	5-1/2	M306	415
22618-8N	21-3/4 x 47-3/4	1-1/4	39-1/2 x 45-1/2	42 x 48	48 x 54	5-1/2	M306	415
22618-6R	21-3/4 x 47-3/4	1-1/4	39-1/2 x 45-1/2	42 x 48	48 x 54	5-1/2	M306	415
22618-8R	21-3/4 x 47-3/4	1-1/4	39-1/2 x 45-1/2	42 x 48	48 x 54	5-1/2	M306	415
22594-6N	25-3/4 x 47-3/4	1-1/4	39-3/4 x 45-3/4	42 x 48	48 x 56	5-1/2	M306	415
22594-8N	25-3/4 x 47-3/4	1-1/4	39-3/4 x 45-3/4	42 x 48	48 x 56	5-1/2	M306	415
22594-6R	25-3/4 x 47-3/4	1-1/4	39-3/4 x 45-3/4	42 x 48	48 x 56	5-1/2	M306	415
22594-8R	25-3/4 x 47-3/4	1-1/4	39-3/4 x 45-3/4	42 x 48	48 x 56	5-1/2	M306	415

**PRODUCT #23405**  
A-Inlet Frame & Grate



**Flow Area**  
~415 in<sup>2</sup>



Heavy Duty



AASHTO M306



ASTM A48

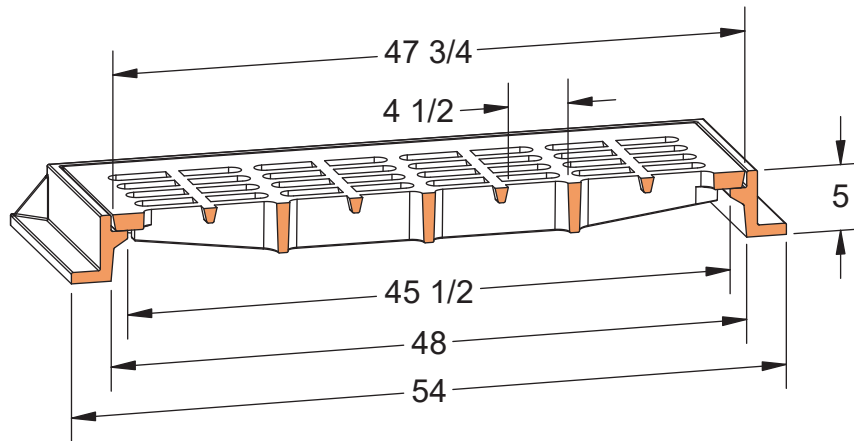
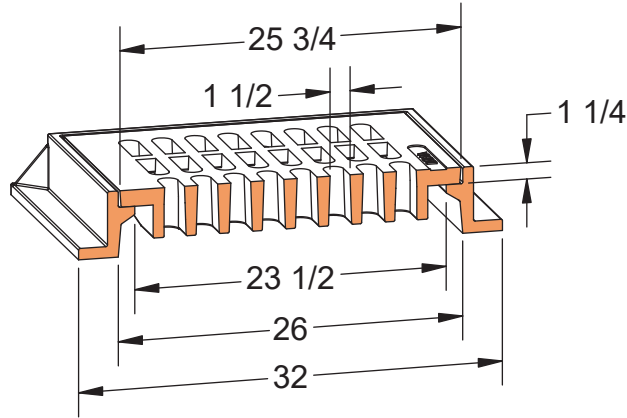
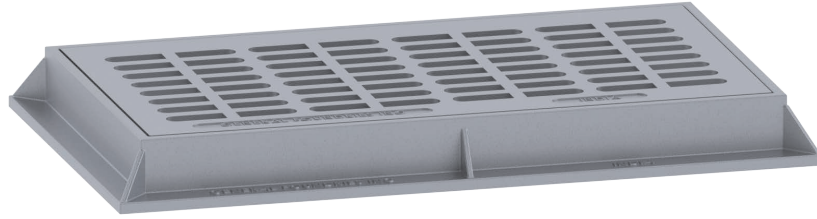


Gray Iron Class 35B



Bicycle Safe

PRODUCT #23407  
NYC Type 2 Frame & Grate



**Flow Area**  
~415 in<sup>2</sup>

**Notes**

Frame conforms to NYCDEP STD. DWG. SE58A  
Grate and Back Plate conforms to NYCDEP STD. DWG. SE59A & SE59B



Heavy Duty



AASHTO M306



ASTM A48



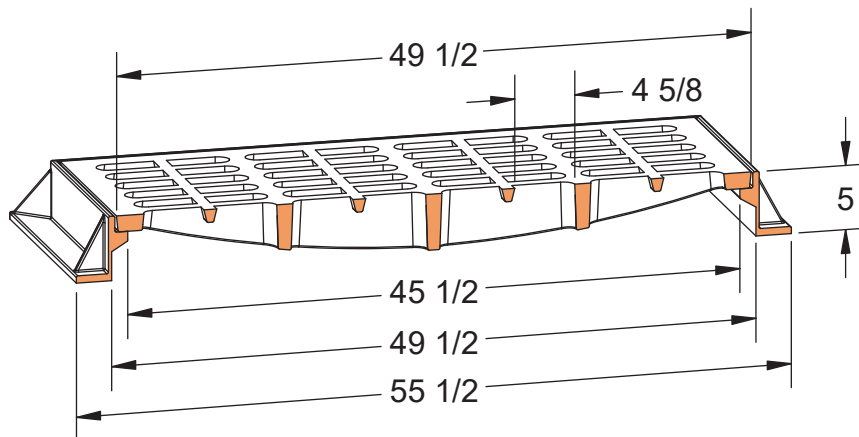
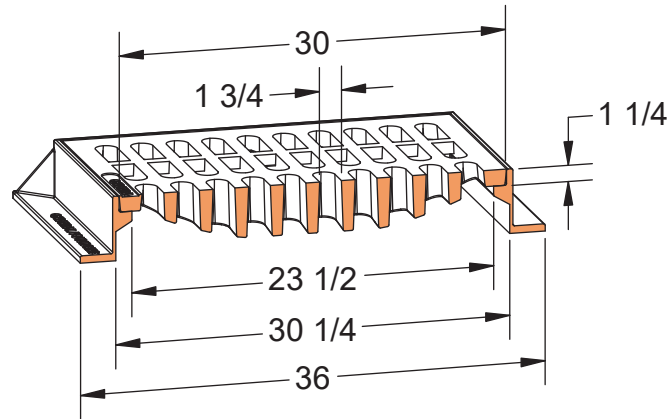
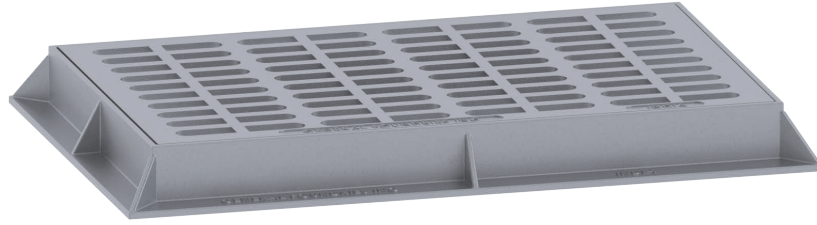
Gray Iron Class 35B



Bicycle Safe

PRODUCT #23408

30" x 49" Frame & Grate



Flow Area  
~600 in<sup>2</sup>



Heavy Duty



AASHTO M306



ASTM A48

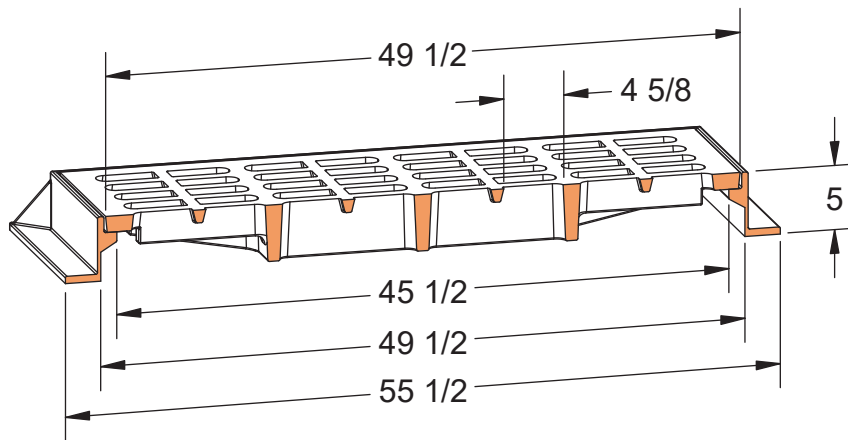
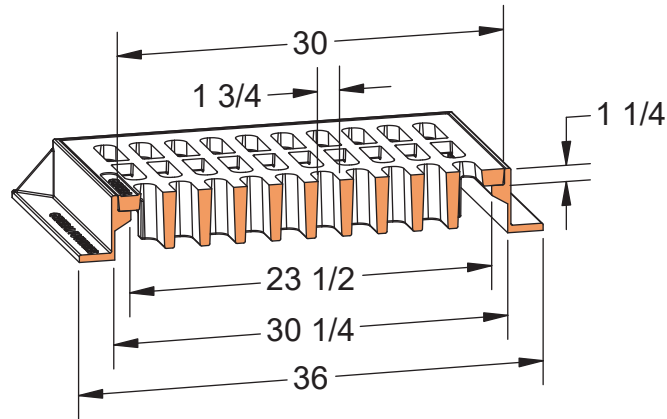
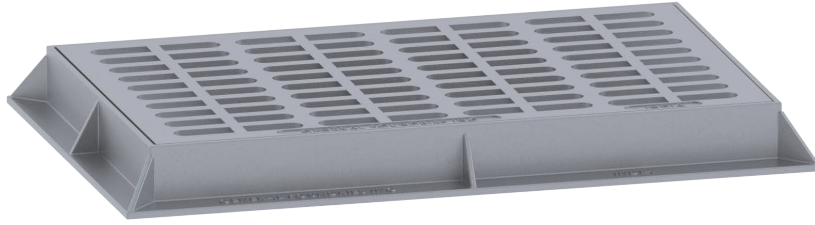


Gray Iron Class 35B



Bicycle Safe

**PRODUCT #23408PA**  
 30" x 49" Frame & Grate



**Flow Area**  
 ~600 in<sup>2</sup>



Heavy Duty



AASHTO M306



ASTM A48



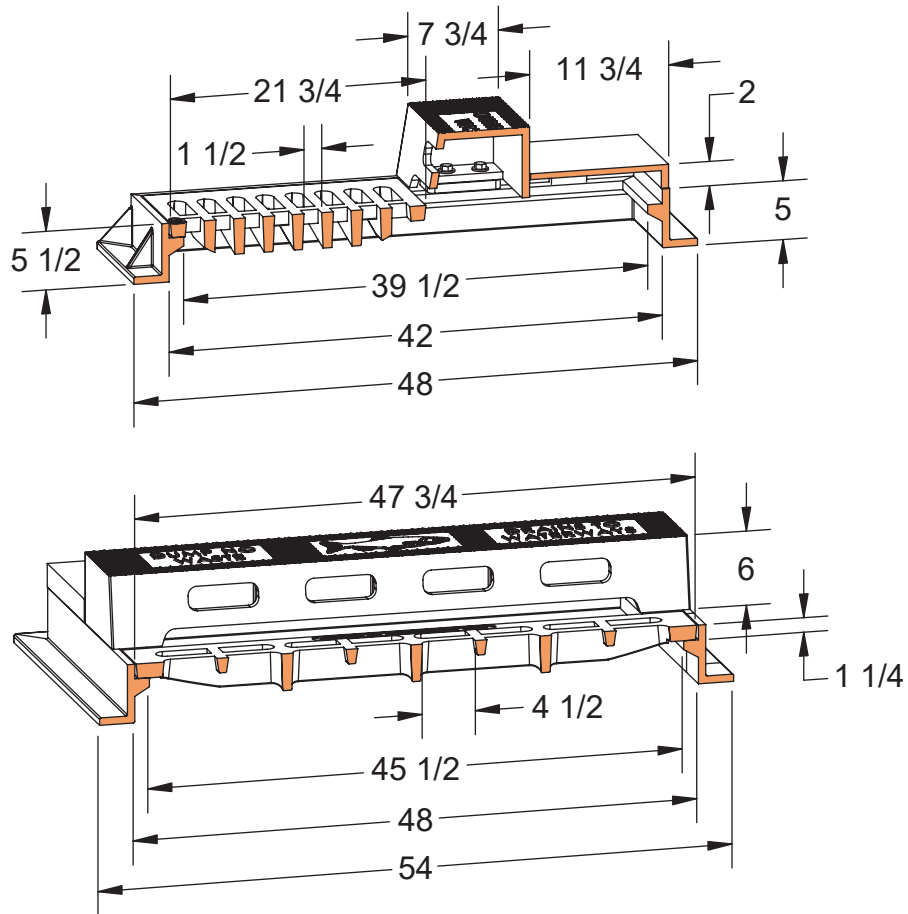
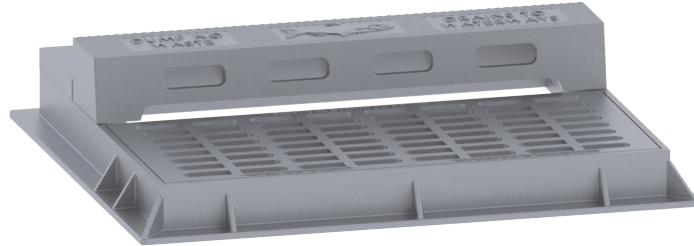
Gray Iron Class 35B



Bicycle Safe

**PRODUCT #22618-6N**

B-Inlet Frame, Grate, 6" Curb (N-Style), Back Plate



**Flow Area**  
~415 in<sup>2</sup>



Heavy Duty



AASHTO M306



ASTM A48



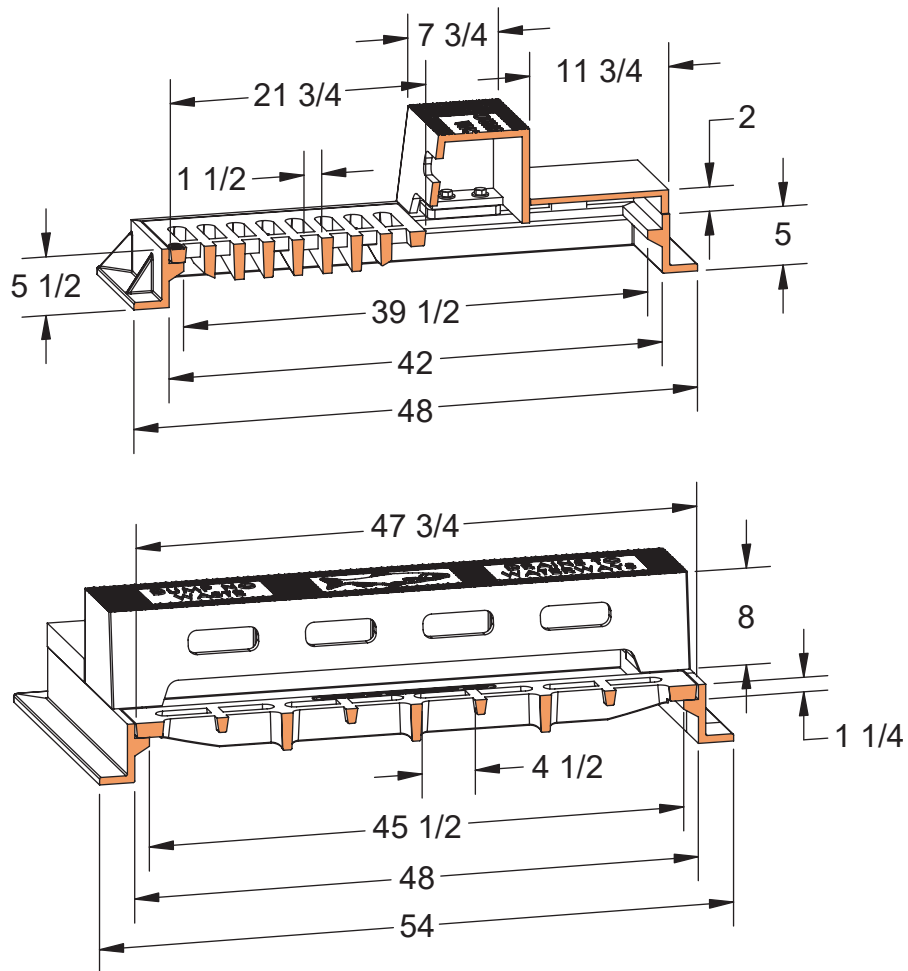
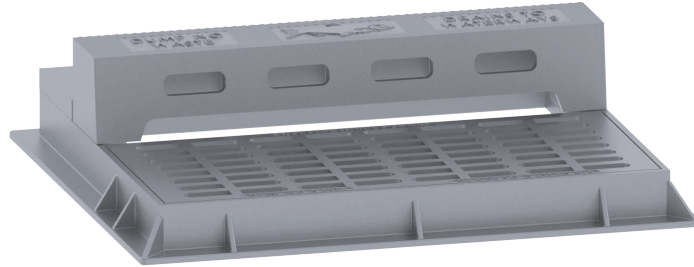
Gray Iron Class 35B



Bicycle Safe

**PRODUCT #22618-8N**

B-Inlet Frame, Grate, 8" Curb (N-Style), Back Plate



**Flow Area**  
~415 in<sup>2</sup>



Heavy Duty



AASHTO M306



ASTM A48



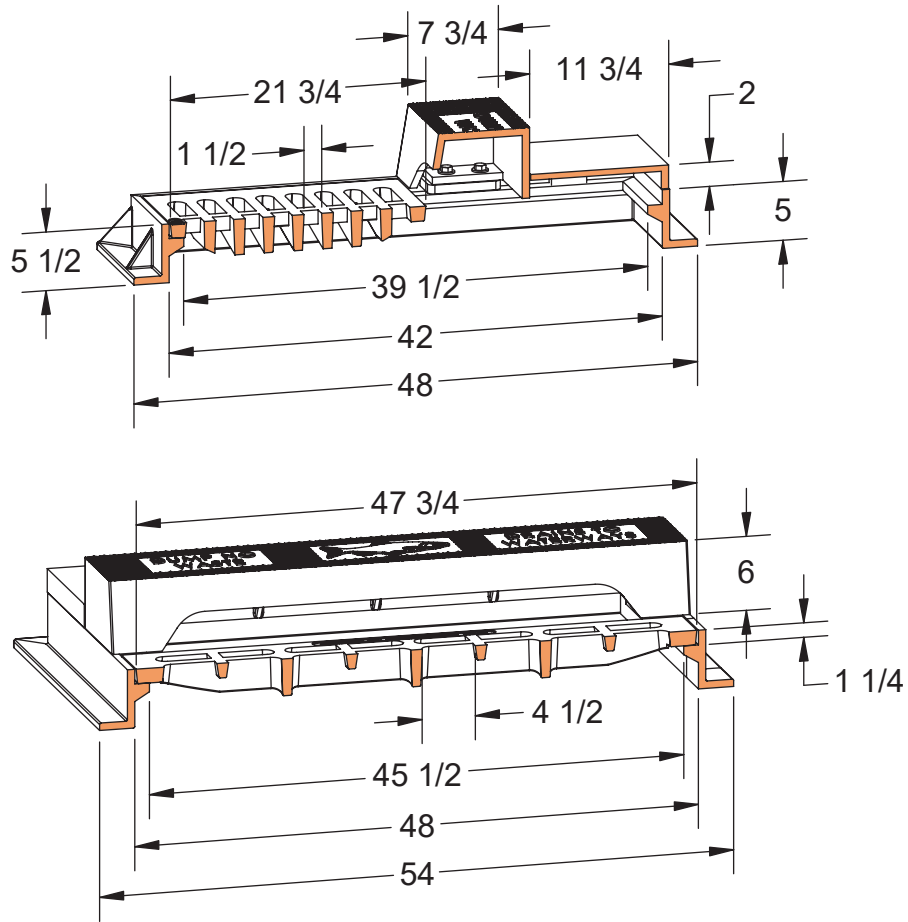
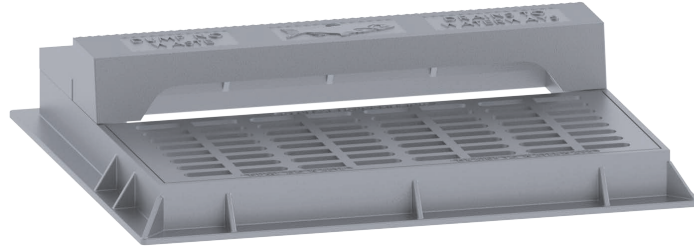
Gray Iron Class 35B



Bicycle Safe

**PRODUCT #22618-6R**

B-Inlet Frame, Grate, 6" Curb (R-Style), Back Plate



**Flow Area**  
~415 in<sup>2</sup>



Heavy Duty



AASHTO M306



ASTM A48



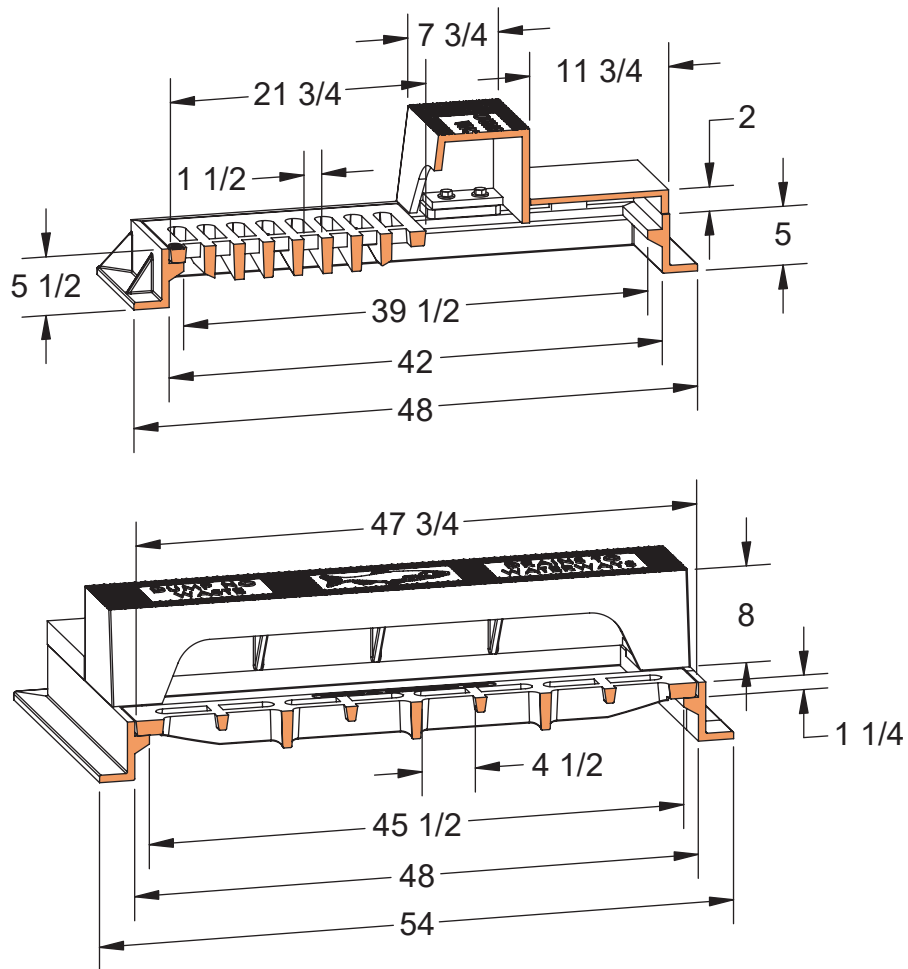
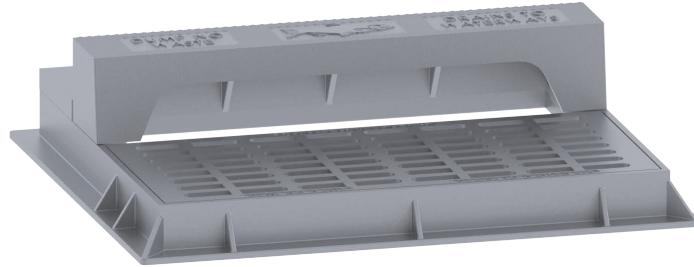
Gray Iron Class 35B



Bicycle Safe

**PRODUCT #22618-8R**

B-Inlet Frame, Grate, 8" Curb (R-Style), Back Plate



**Flow Area**  
~415 in<sup>2</sup>



Heavy Duty



AASHTO M306



ASTM A48



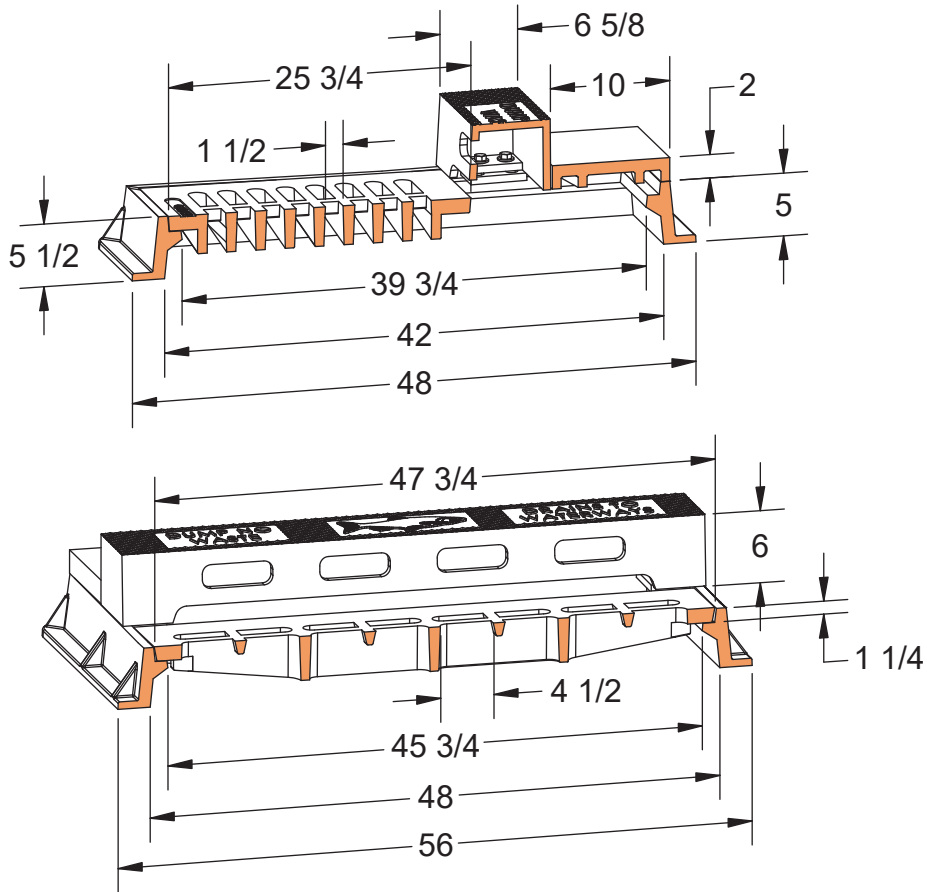
Gray Iron Class 35B



Bicycle Safe

**PRODUCT #22594-6N**

NYC Type 1 Frame, Grate, 6" Curb (N-Style), Back Plate



**Flow Area**  
~415 in<sup>2</sup>

**Notes**

Frame conforms to NYCDEP STD. DWG. SE57  
Grate, Back Plate & Curb conform to NYCDEP STD. DWG. SE59A & SE59B



Heavy Duty



AASHTO M306



ASTM A48



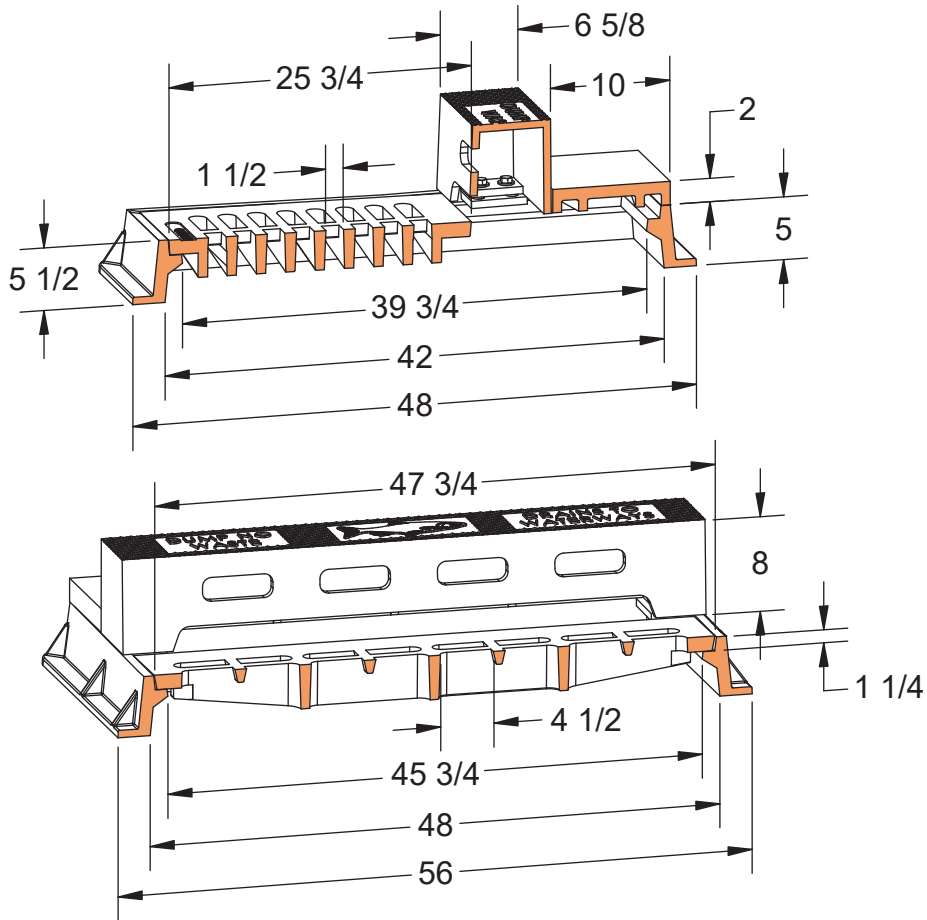
Gray Iron Class 35B



Bicycle Safe

**PRODUCT #22594-8N**

NYC Type 1 Frame, Grate, 8" Curb (N-Style), Back Plate



**Flow Area**  
~415 in<sup>2</sup>

**Notes**

Frame conforms to NYCDEP STD. DWG. SE57  
Grate, Back Plate & Curb conform to NYCDEP STD. DWG. SE59A & SE59B



Heavy Duty



AASHTO M306



ASTM A48



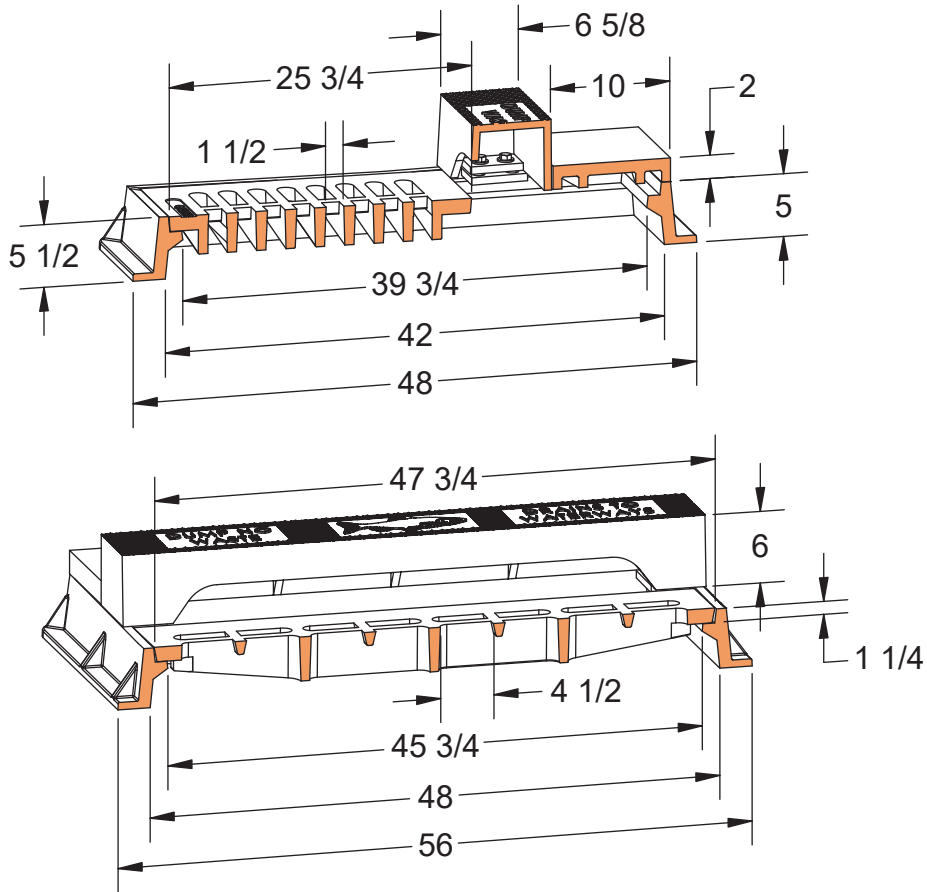
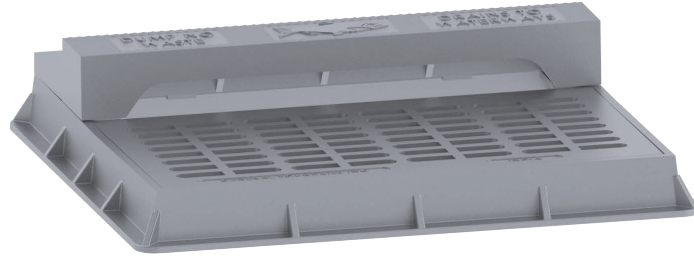
Gray Iron Class 35B



Bicycle Safe

**PRODUCT #22594-6R**

NYC Type 1 Frame, Grate, 6" Curb (R-Style), Back Plate



**Flow Area**  
~415 in<sup>2</sup>

**Notes**

Frame conforms to NYCDEP STD. DWG. SE57  
Grate, Back Plate & Curb conform to NYCDEP STD. DWG. SE59A & SE59B



Heavy Duty



AASHTO M306



ASTM A48



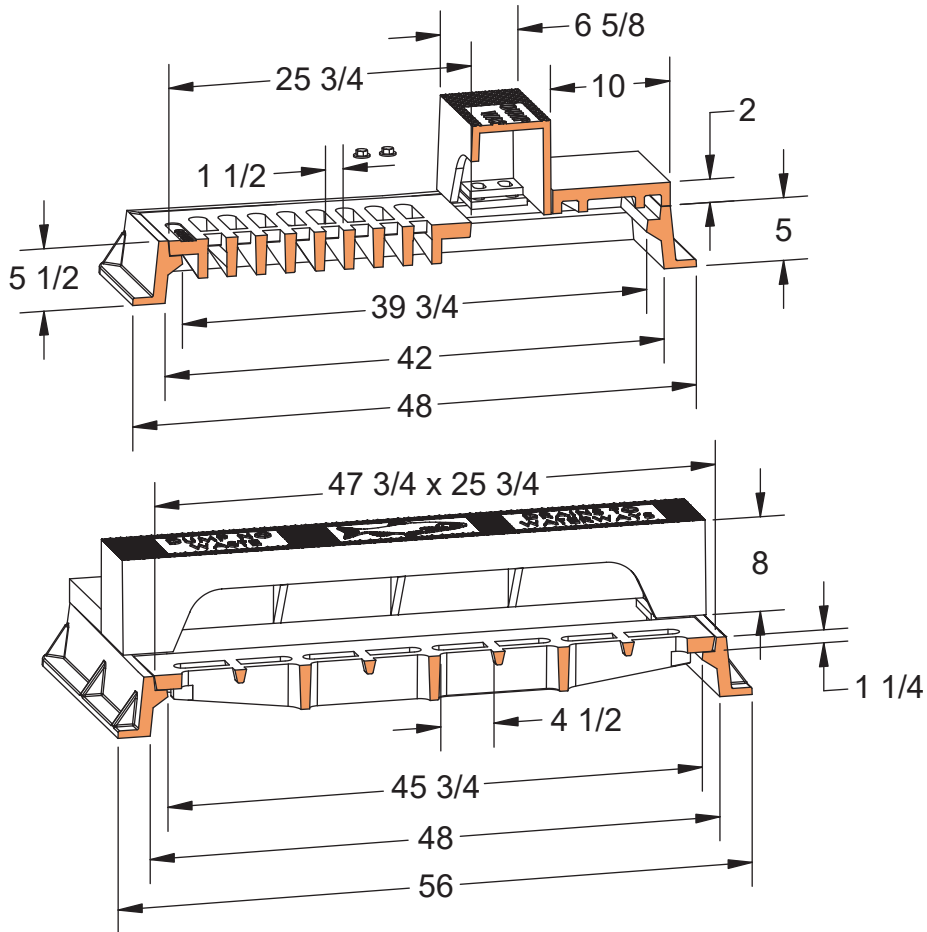
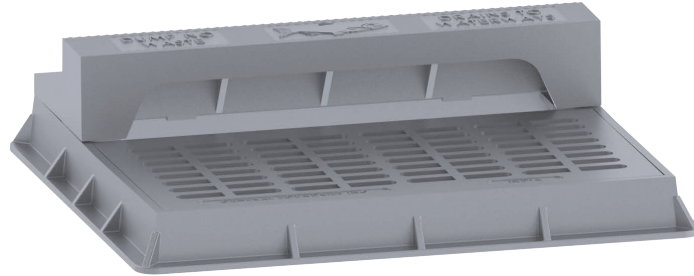
Gray Iron Class 35B



Bicycle Safe

**PRODUCT #22594-8R**

NYC Type 1 Frame, Grate, 8" Curb (R-Style), Back Plate



**Flow Area**  
~415 in<sup>2</sup>

**Notes**

Frame conforms to NYCDEP STD. DWG. SE57  
Grate, Back Plate & Curb conform to NYCDEP STD. DWG. SE59A & SE59B



Heavy Duty



AASHTO M306



ASTM A48



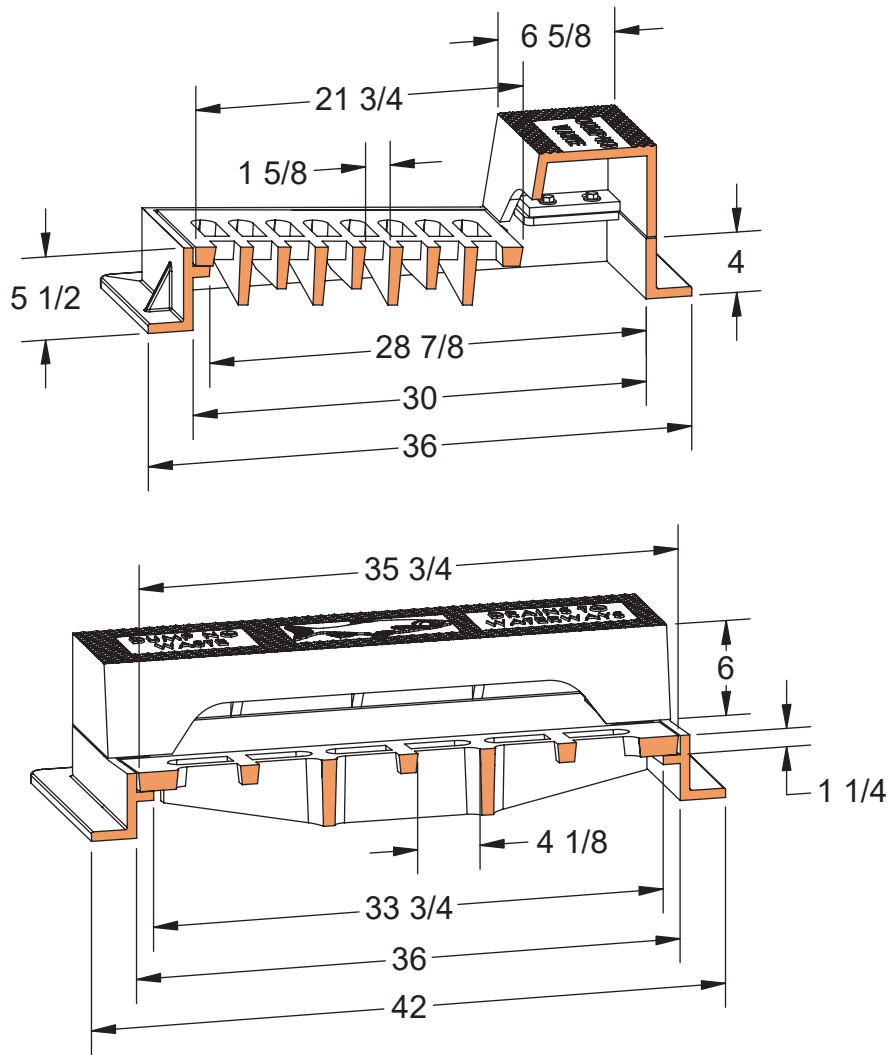
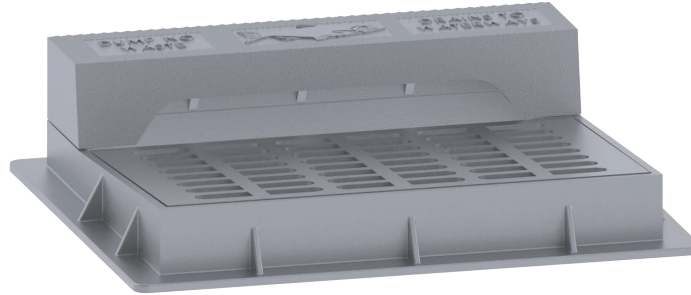
Gray Iron Class 35B



Bicycle Safe

**PRODUCT #22633-6R**

30" x 36" Frame, Grate, 6" Curb (R-Style)



**Flow Area**  
~310 in<sup>2</sup>



Heavy Duty



AASHTO M306



ASTM A48

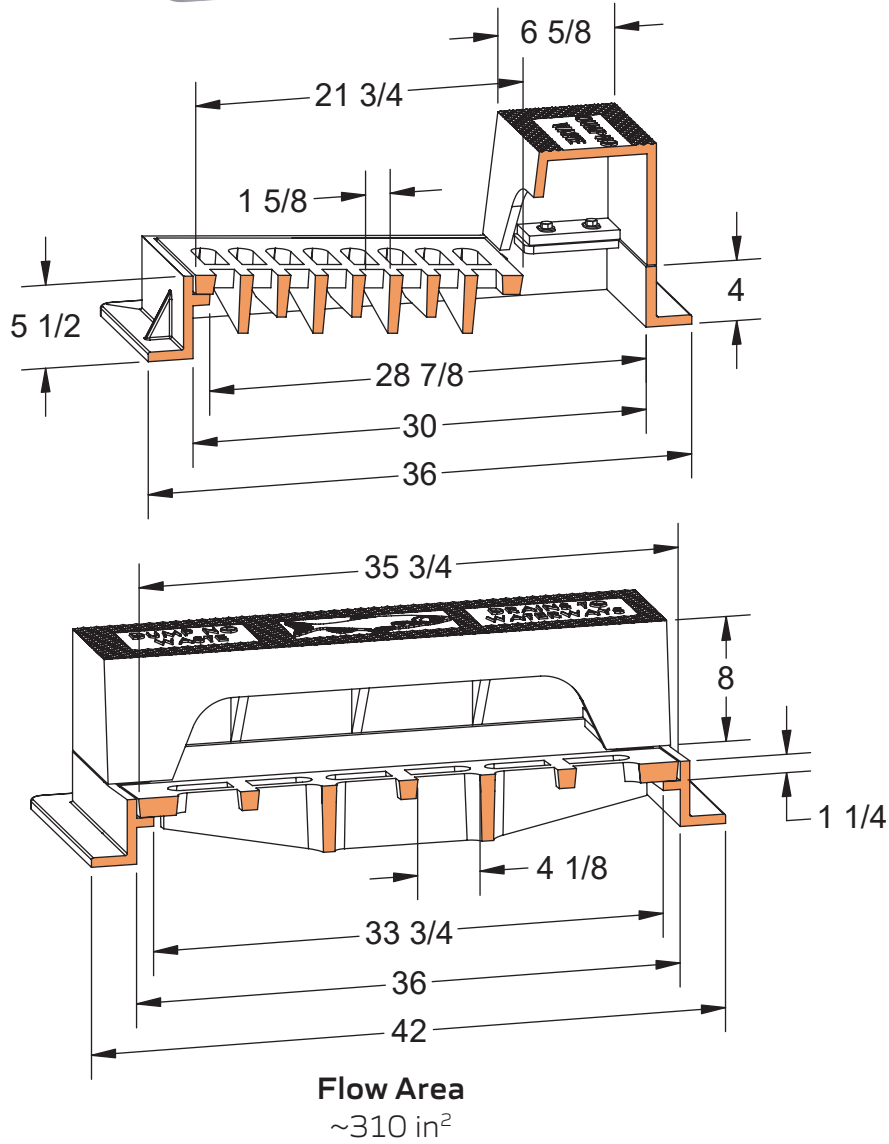
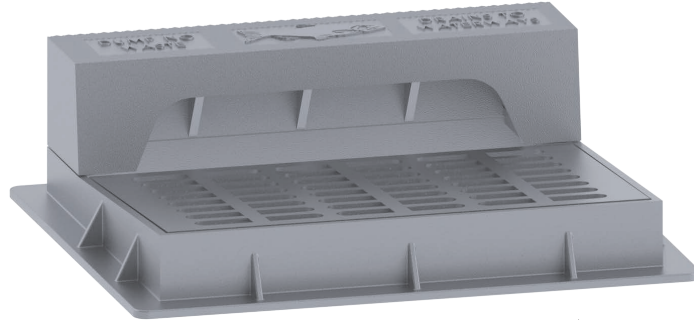


Gray Iron Class 35B



Bicycle Safe

**PRODUCT #22633-8R**  
 30" x 36" Frame, Grate, 8" Curb (R-Style)



Heavy Duty



AASHTO M306



ASTM A48



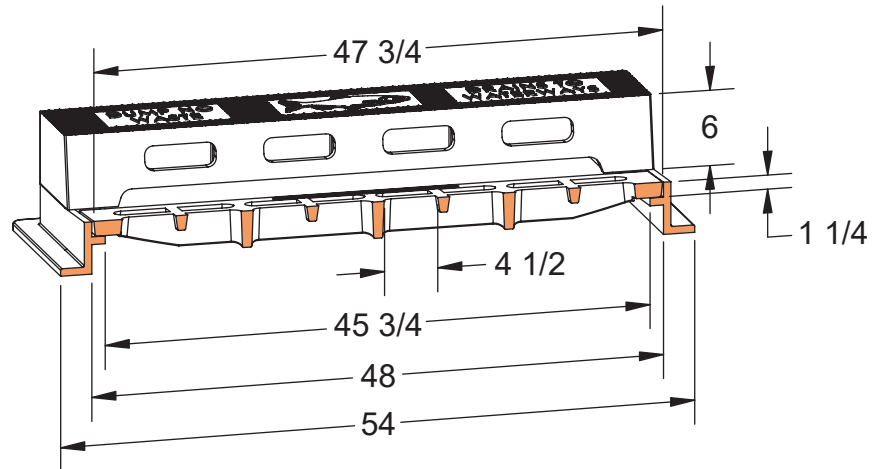
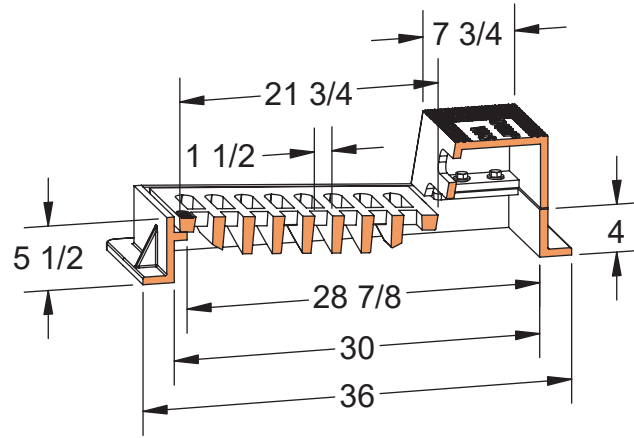
Gray Iron Class 35B



Bicycle Safe

**PRODUCT #22617-6N**

D-Inlet Frame, Grate, 6" Curb (N-Style)



**Flow Area**

~415 in<sup>2</sup>



Heavy Duty



AASHTO M306



ASTM A48

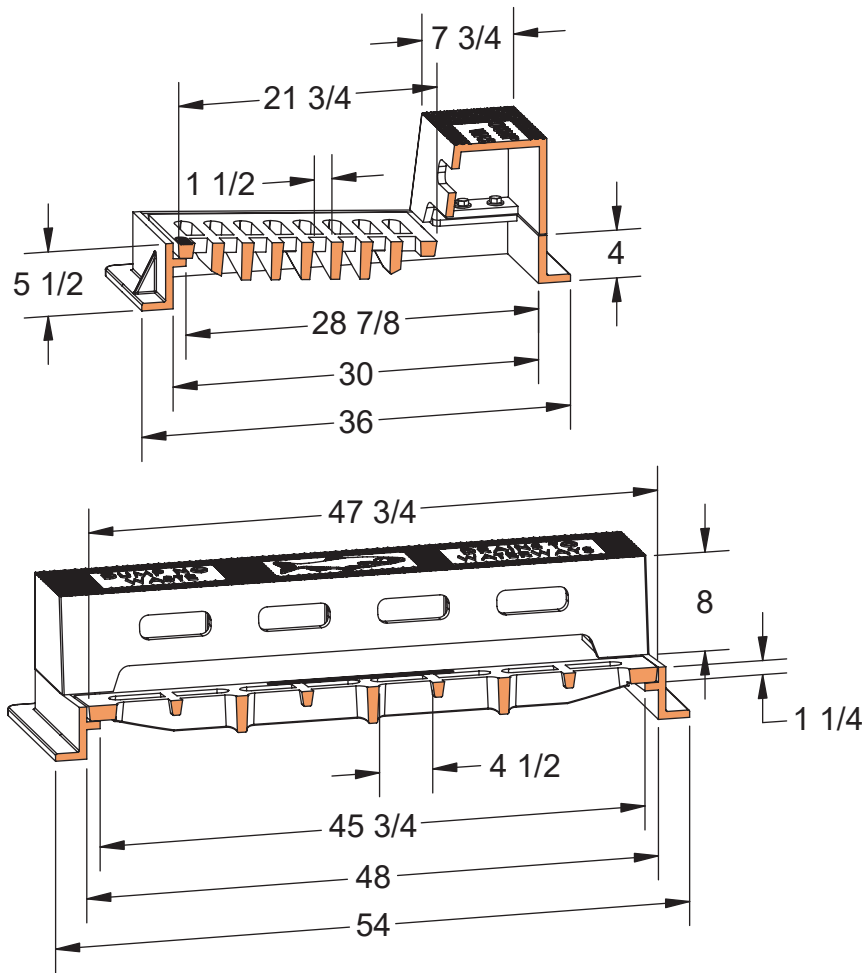
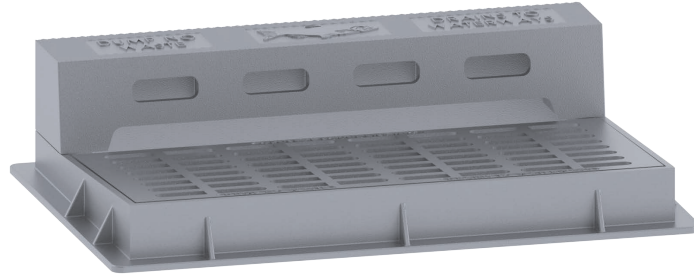


Gray Iron Class 35B



Bicycle Safe

**PRODUCT #22617-8N**  
 D-Inlet Frame, Grate, 8" Curb (N-Style)



**Flow Area**  
 ~415 in<sup>2</sup>



Heavy Duty



AASHTO M306



ASTM A48



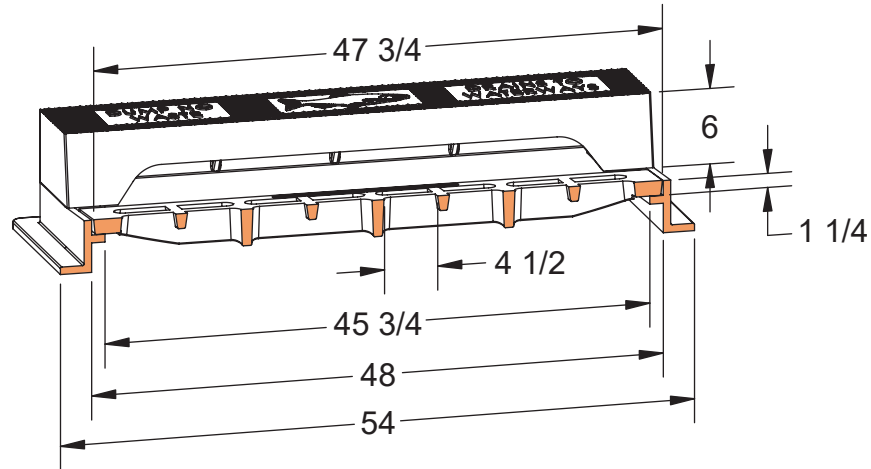
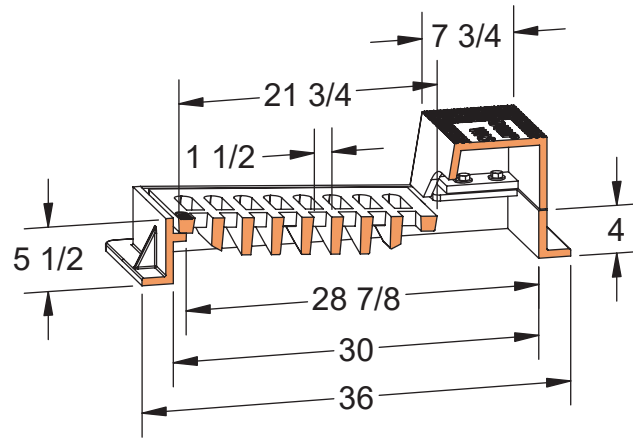
Gray Iron Class 35B



Bicycle Safe

**PRODUCT #22617-6R**

D-Inlet Frame, Grate, 6" Curb (R-Style)



**Flow Area**

~415 in<sup>2</sup>



Heavy Duty



AASHTO M306



ASTM A48



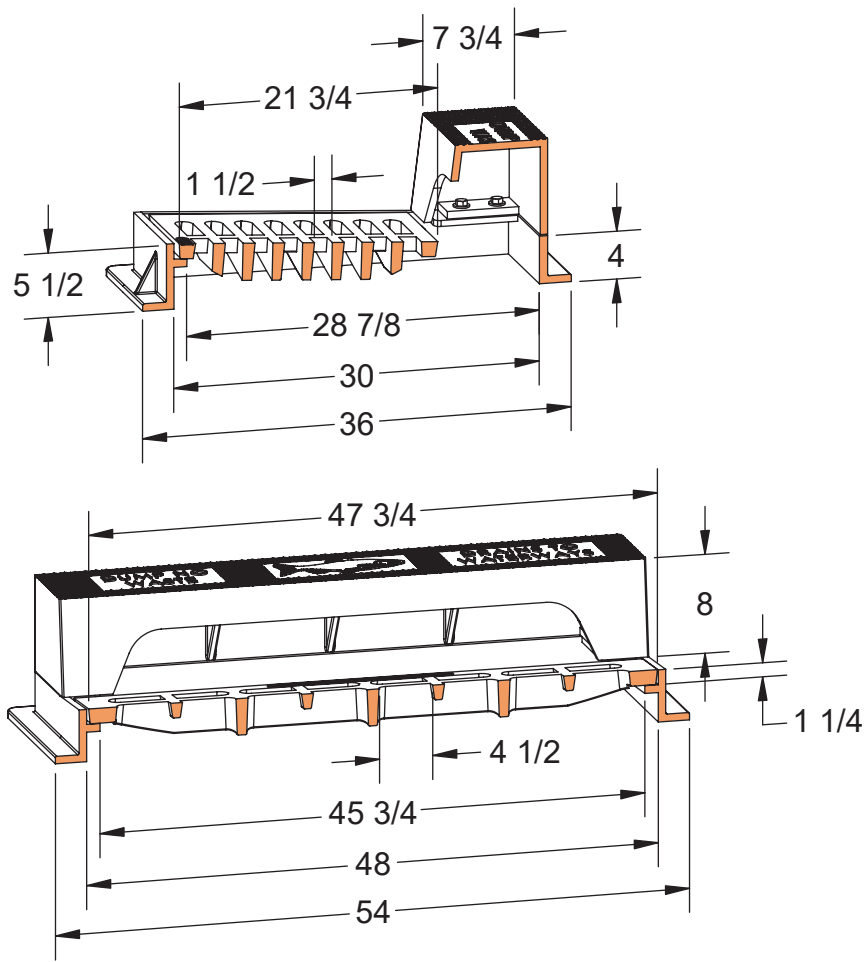
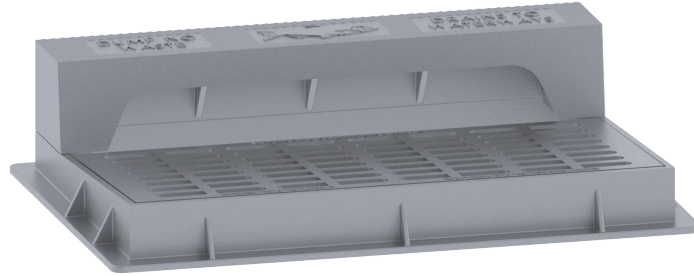
Gray Iron Class 35B



Bicycle Safe

**PRODUCT #22617-8R**

D-Inlet Frame, Grate, 8" Curb (R-Style)



**Flow Area**  
~415 in<sup>2</sup>



Heavy Duty



AASHTO M306



ASTM A48

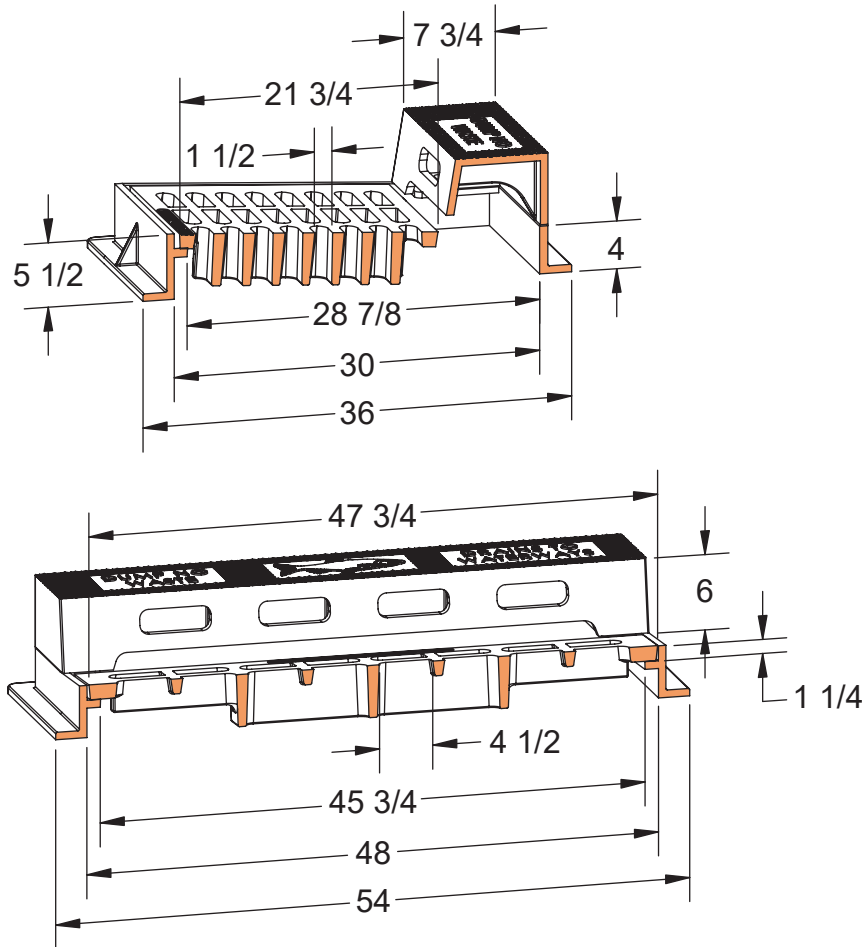


Gray Iron Class 35B



Bicycle Safe

**PRODUCT #22617PA-6N**  
 D-Inlet Frame, Grate, 6" Curb (N-Style)



**Flow Area**  
 ~415 in<sup>2</sup>



Heavy Duty



AASHTO M306



ASTM A48

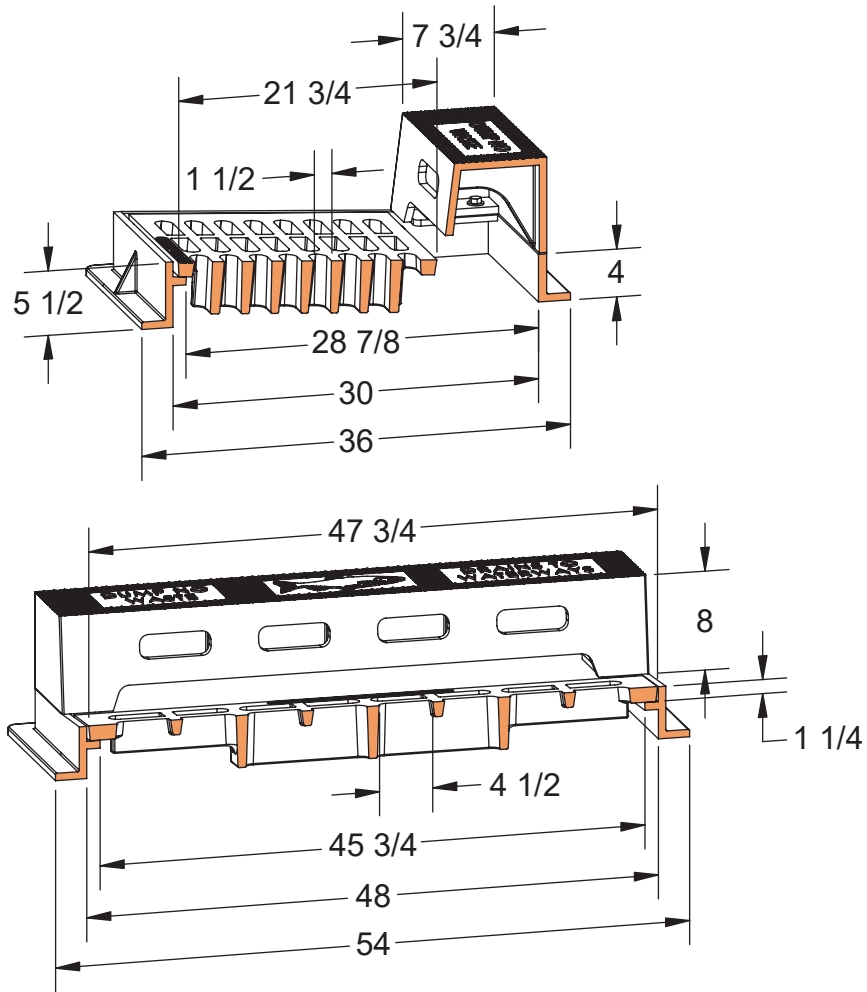
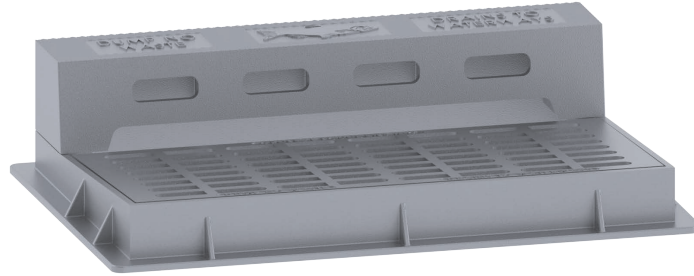


Gray Iron Class 35B



Bicycle Safe

**PRODUCT #22617PA-8N**  
D-Inlet Frame, Grate, 8" Curb (N-Style)



**Flow Area**  
~415 in<sup>2</sup>



Heavy Duty



AASHTO M306



ASTM A48

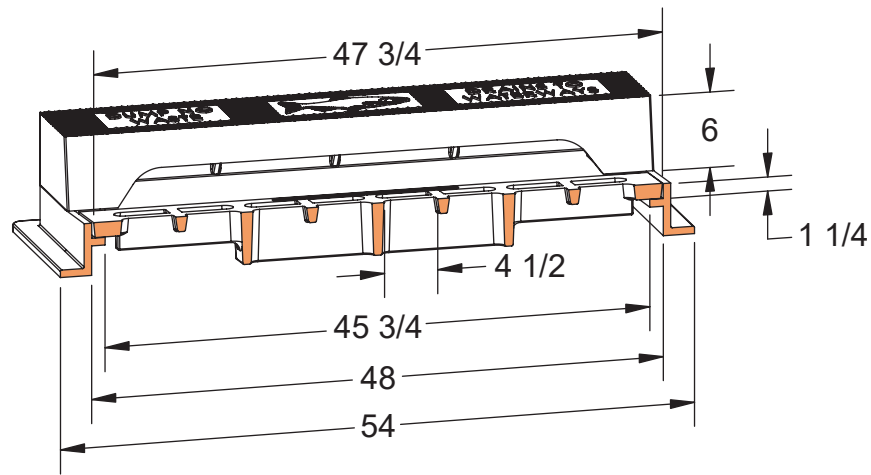
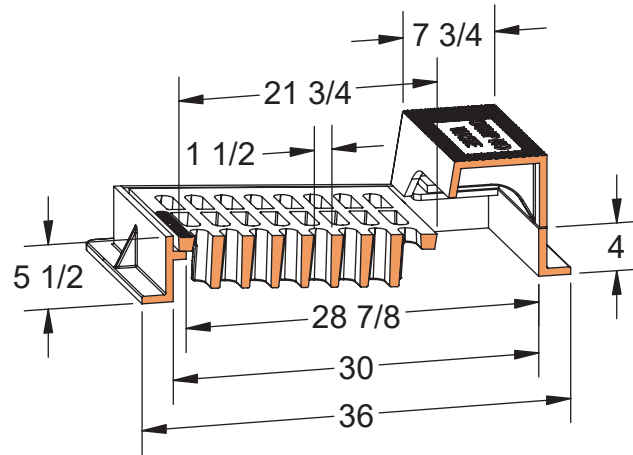


Gray Iron Class 35B



Bicycle Safe

**PRODUCT #22617PA-6R**  
 D-Inlet Frame, Grate, 6" Curb (R-Style)



**Flow Area**  
 ~415 in<sup>2</sup>



Heavy Duty



AASHTO M306



ASTM A48

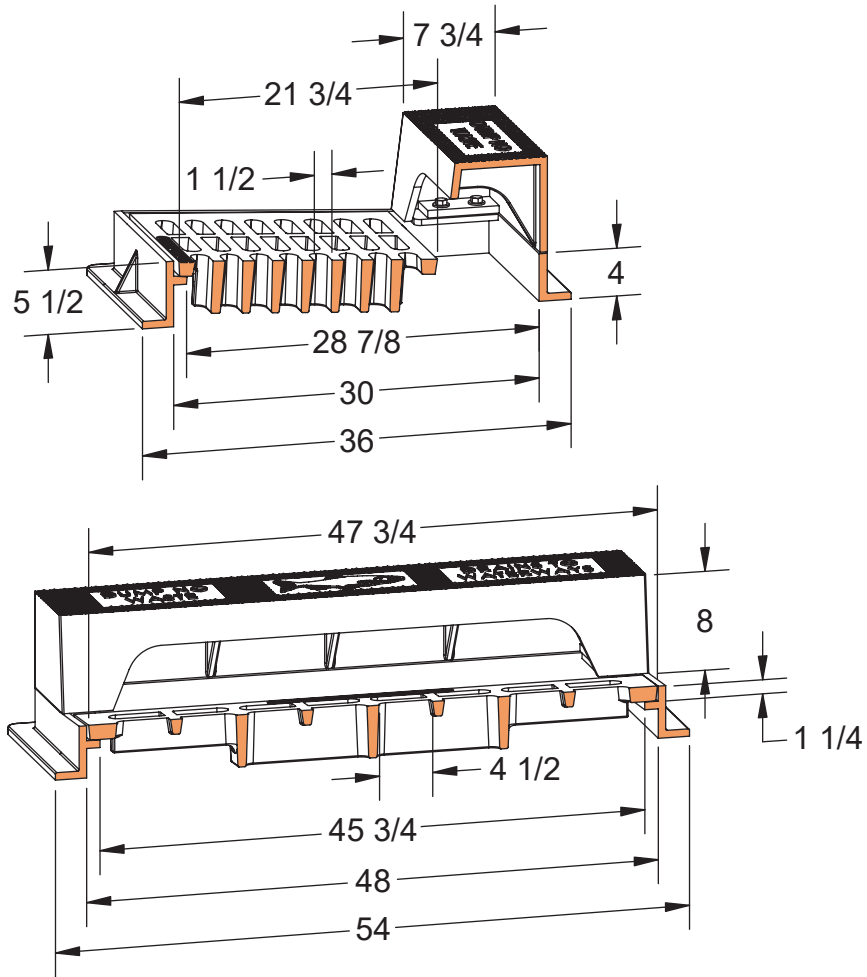
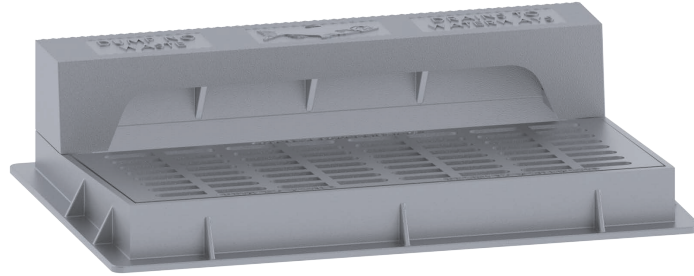


Gray Iron Class 35B



Bicycle Safe

**PRODUCT #22617PA-8R**  
D-Inlet Frame, Grate, 8" Curb (R-Style)



**Flow Area**  
~415 in<sup>2</sup>



Heavy Duty



AASHTO M306



ASTM A48



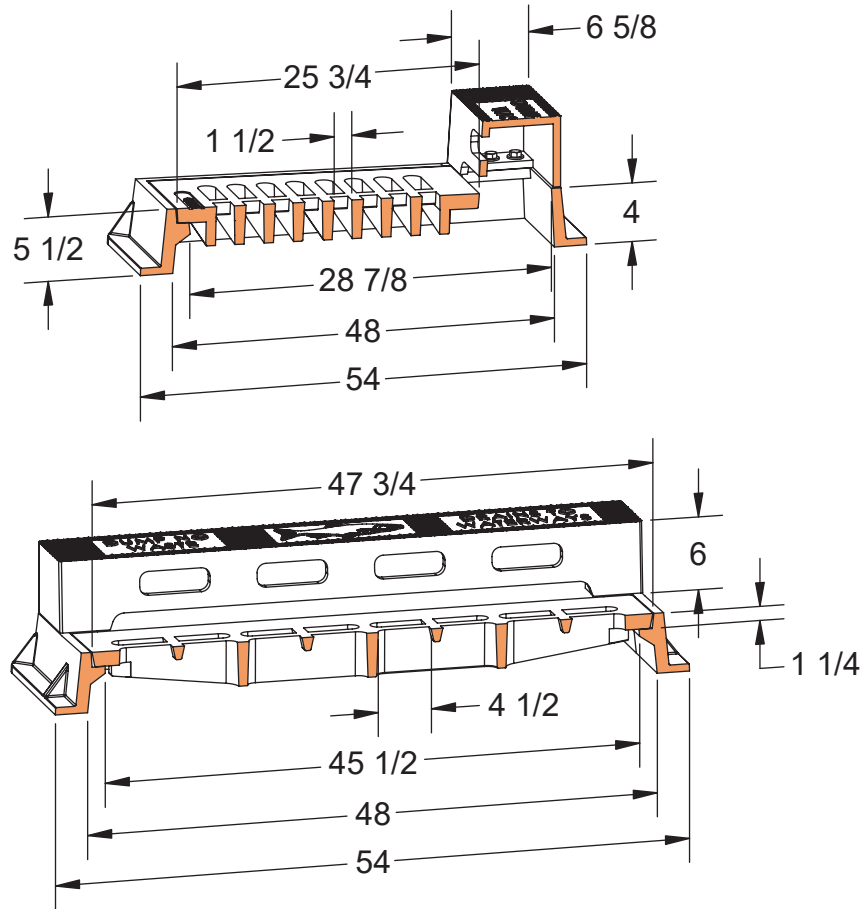
Gray Iron Class 35B



Bicycle Safe

**PRODUCT #22596-6N**

NYC Type 3 Frame, Grate, 6" Curb (N-Style)



**Flow Area**  
~415 in<sup>2</sup>

**Notes**

Frame conforms to NYC DEP STD. DWG. SE58B  
Grate & Curb conform to NYC DEP STD. DWG. SE59A & SE59B



Heavy Duty



AASHTO M306



ASTM A48



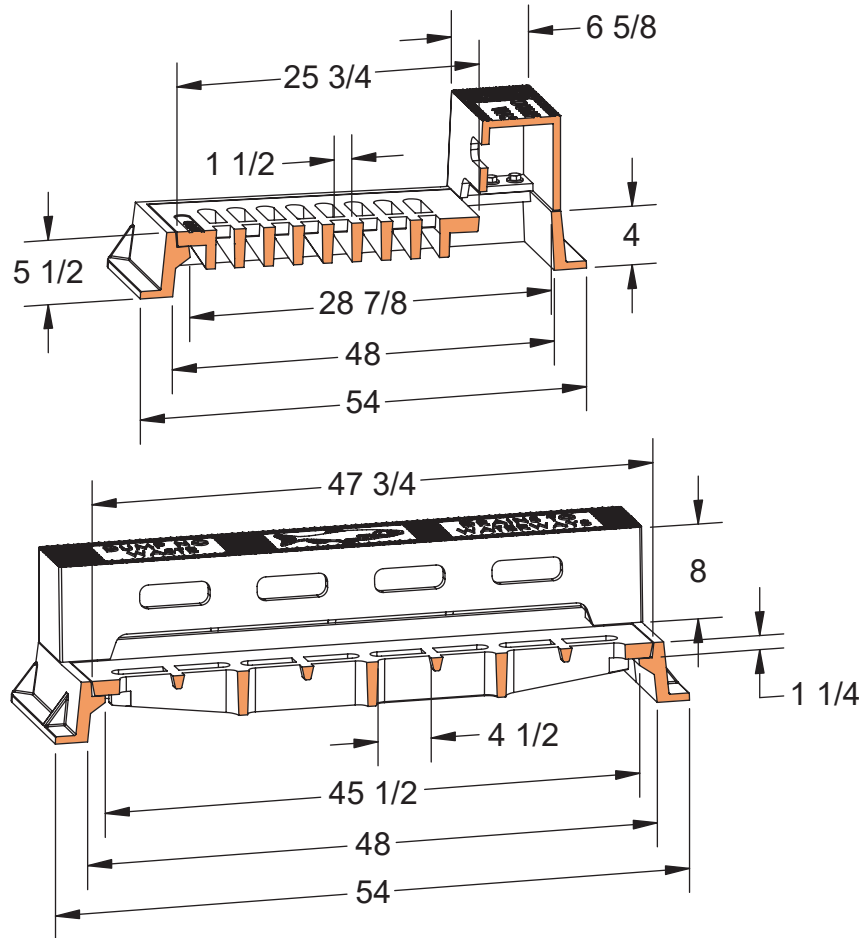
Gray Iron Class 35B



Bicycle Safe

**PRODUCT #22596-8N**

NYC Type 3 Frame, Grate, 8" Curb (N-Style)



**Flow Area**  
~415 in<sup>2</sup>

**Notes**

Frame conforms to NYC DEP STD. DWG. SE58B  
Grate & Curb conform to NYC DEP STD. DWG. SE59A & SE59B



Heavy Duty



AASHTO M306



ASTM A48



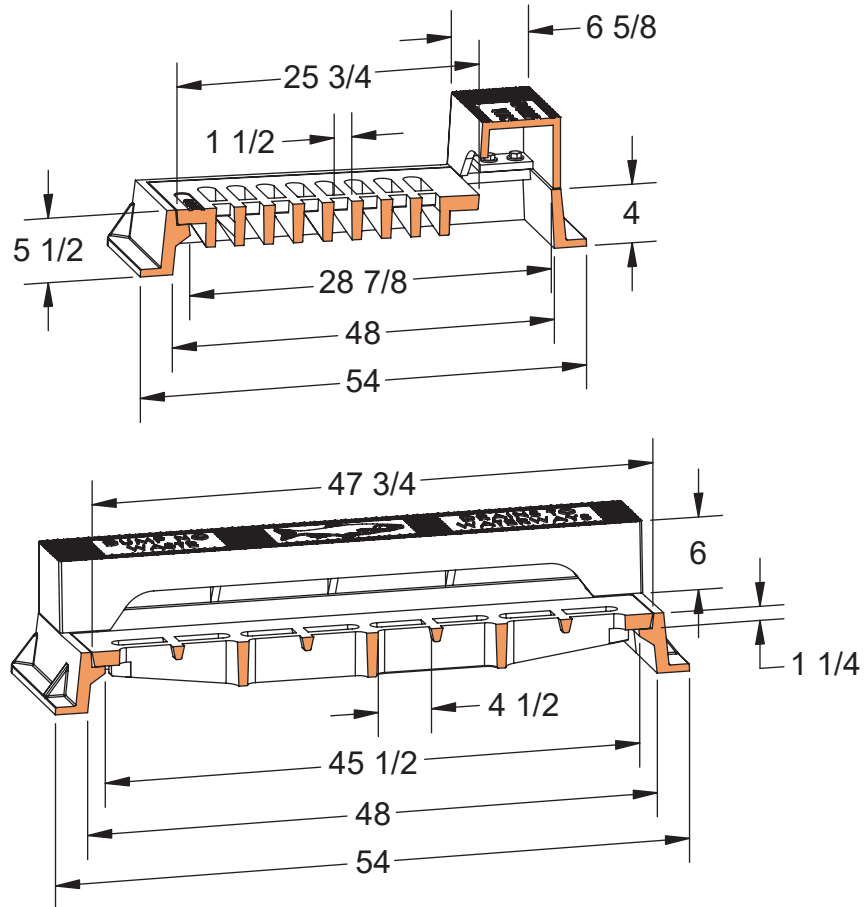
Gray Iron Class 35B



Bicycle Safe

**PRODUCT #22596-6R**

NYC Type 3 Frame, Grate, 6" Curb (R-Style)



**Flow Area**  
~415 in<sup>2</sup>

**Notes**

Frame conforms to NYC DEP STD. DWG. SE58B  
Grate & Curb conform to NYC DEP STD. DWG. SE59A & SE59B



Heavy Duty



AASHTO M306



ASTM A48



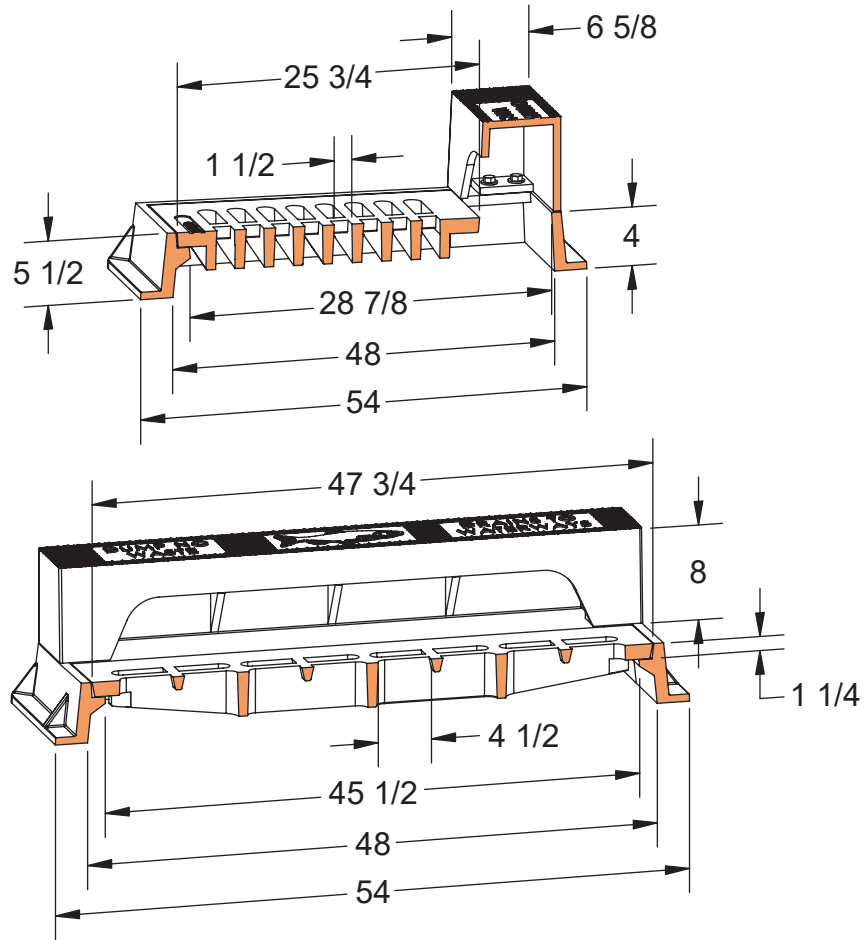
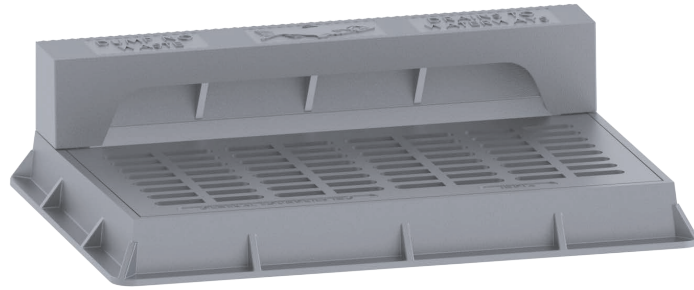
Gray Iron Class 35B



Bicycle Safe

**PRODUCT #22596-8R**

NYC Type 3 Frame, Grate, 8" Curb (R-Style)



**Flow Area**  
~415 in<sup>2</sup>

**Notes**

Frame conforms to NYC DEP STD. DWG. SE58B  
Grate & Curb conform to NYC DEP STD. DWG. SE59A & SE59B



Heavy Duty



AASHTO M306



ASTM A48

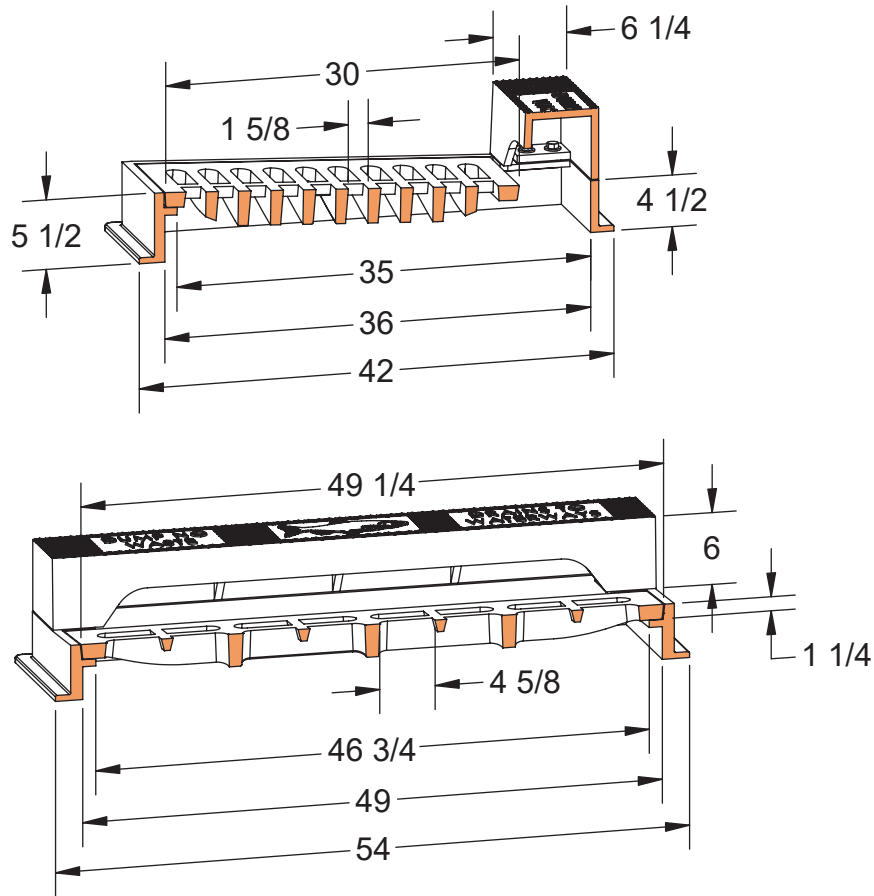
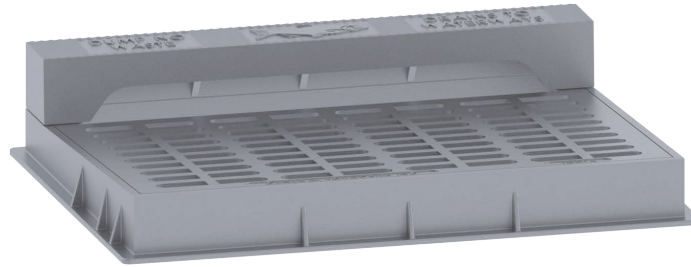


Gray Iron Class 35B



Bicycle Safe

**PRODUCT #22639-6R**  
 36" x 49" Frame, Grate, 6" Curb (R-Style)



**Flow Area**  
 ~600 in<sup>2</sup>



Heavy Duty



AASHTO M306



ASTM A48



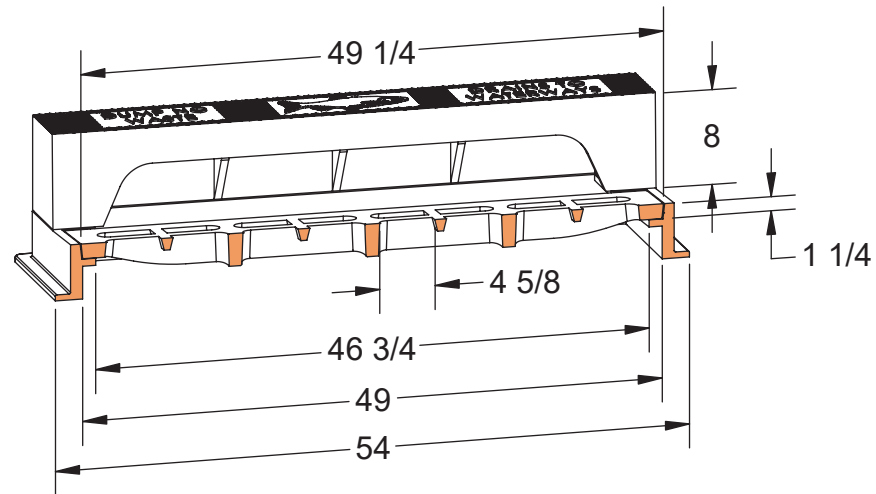
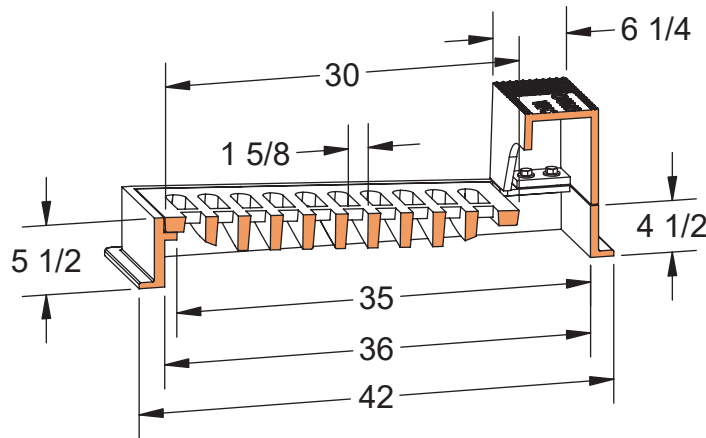
Gray Iron Class 35B



Bicycle Safe

**PRODUCT #22639-8R**

36" x 49" Frame, Grate, 8" Curb (R-Style)



**Flow Area**  
~600 in<sup>2</sup>



Heavy Duty



AASHTO M306



ASTM A48

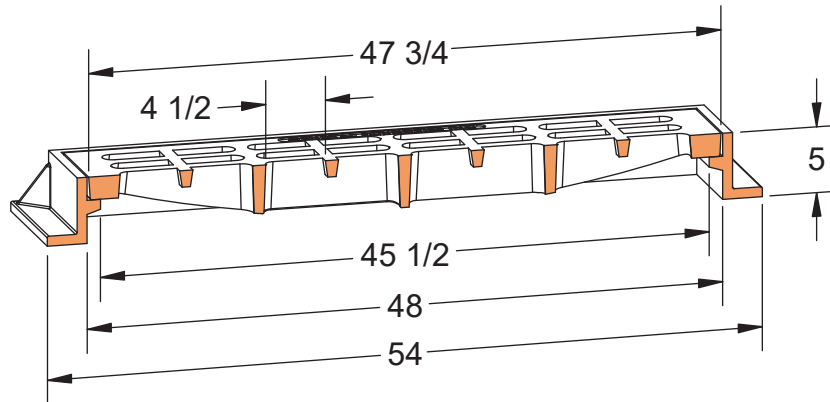
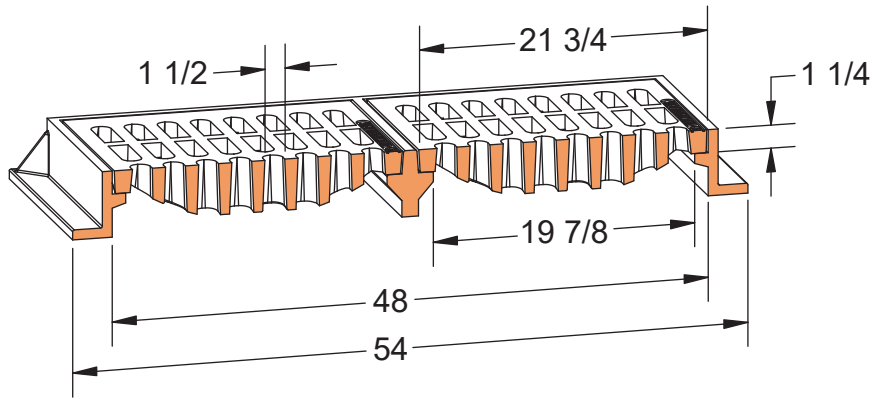
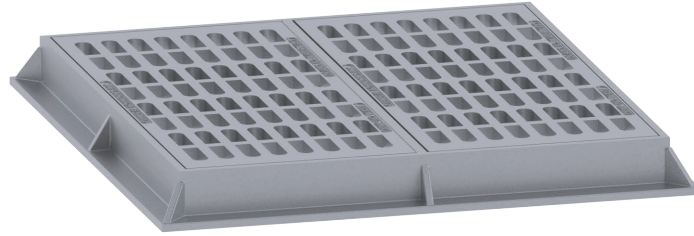


Gray Iron Class 35B



Bicycle Safe

**PRODUCT #23425**  
E-Inlet Frame & Grates



**Flow Area**  
~415 in<sup>2</sup>



Heavy Duty



AASHTO M306



ASTM A48

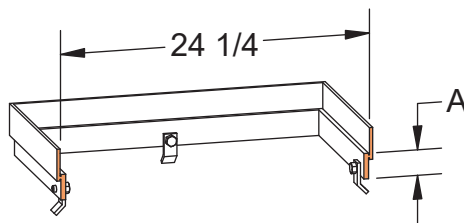
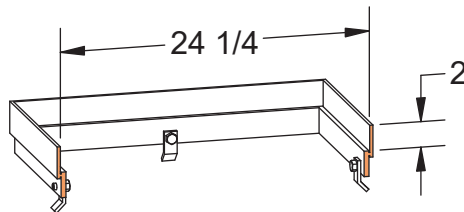
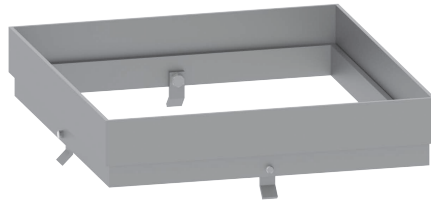


Gray Iron Class 35B



Bicycle Safe

PRODUCT #22420 (Shown)  
Fixed



Product	A (Raise)
22410	1
22415	1-1/2
22420	2
22425	2-1/2
22430	3

**Notes**

Suitable for use with Product No.  
22443, 22463, 22483  
22444, 22464, 22484

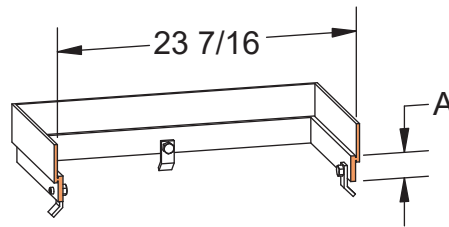
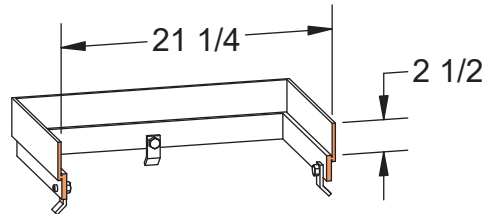


ASTM  
A36



Steel

**PRODUCT #22320** (Shown)  
New Hampshire Catch Basin Risers



Product	A (Raise)
22310	1
22315	1-1/2
22320	2

**Notes**

Suitable for use with Product No.  
22143, 22163, 22183  
22144, 22164, 22184

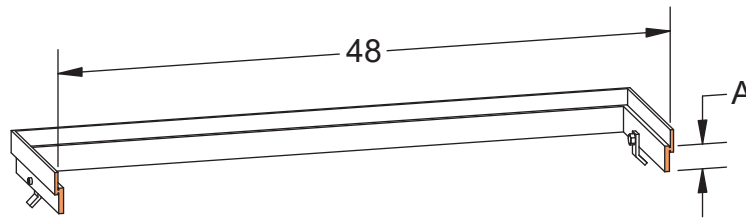
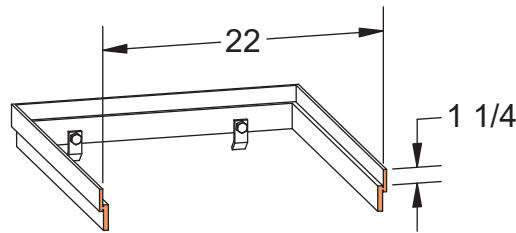
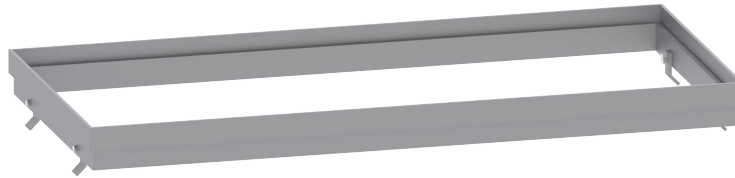


ASTM  
A36



Steel

**PRODUCT #23520** (Shown)  
A-Inlet Riser



Product	A (Raise)
23510	1
23515	1-1/2
23520	2

**Notes**

Suitable for use with  
Product No. 23405

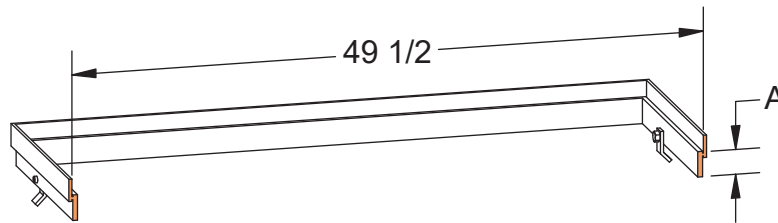
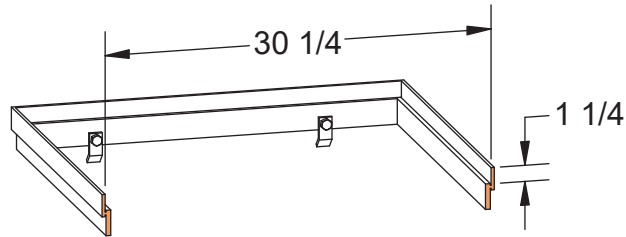
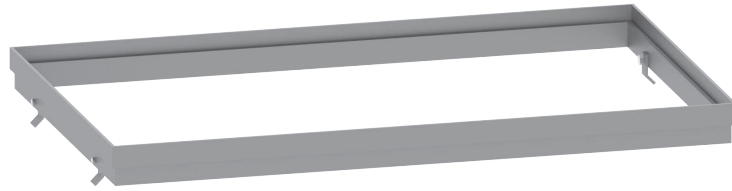


ASTM  
A36



Steel

**PRODUCT #23820** *(Shown)*  
 Fat A-Inlet Riser



Product	A (Raise)
23810	1
23815	1-1/2
23820	2

**Notes**

Suitable for use with  
 Product No. 23408

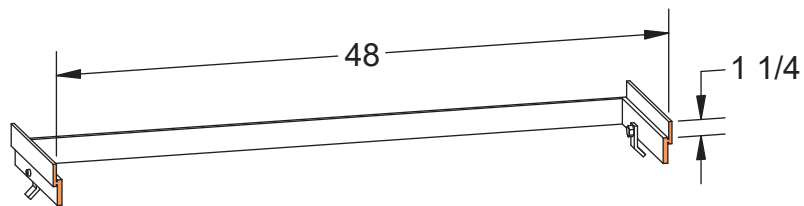
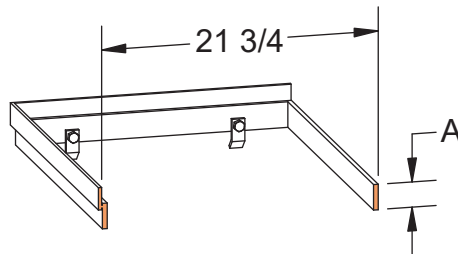


ASTM  
 A36



Steel

**PRODUCT #22620** (Shown)  
B & D-Inlet Riser



Product	A (Raise)
22610	1
22615	1-1/2
22620	2

**Notes**

Suitable for use with  
Product No. 22617, 22618

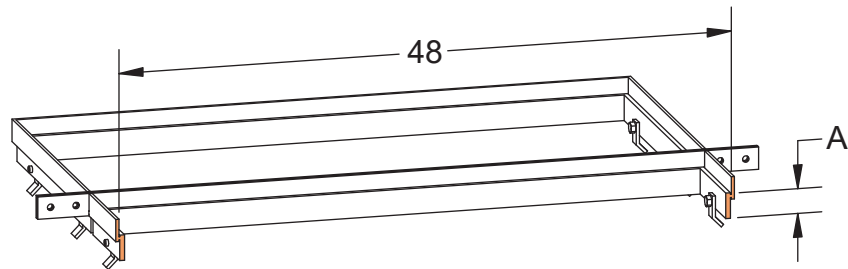
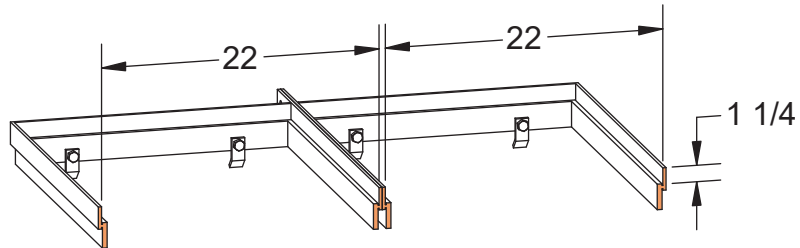
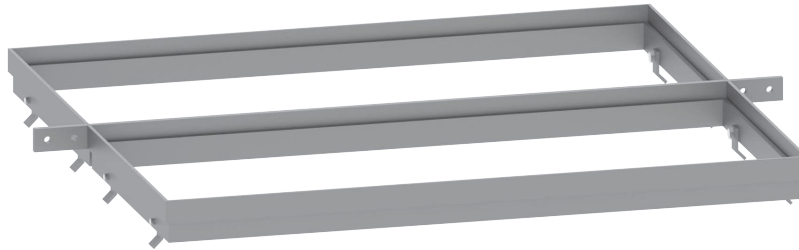


ASTM  
A36



Steel

PRODUCT #24520 (Shown)  
E-Inlet Riser



Product	A (Raise)
24510	1
24515	1-1/2
24520	2

**Notes**

Suitable for use with  
Product No. 23425

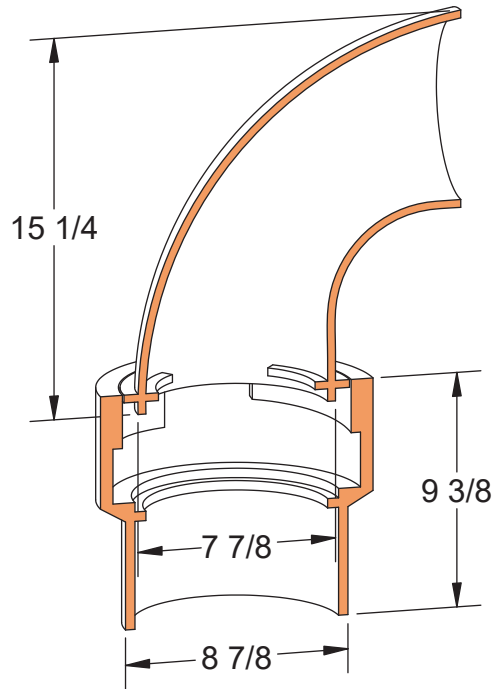


ASTM  
A36



Steel

**PRODUCT #WORCT**  
Worcester Green Trap

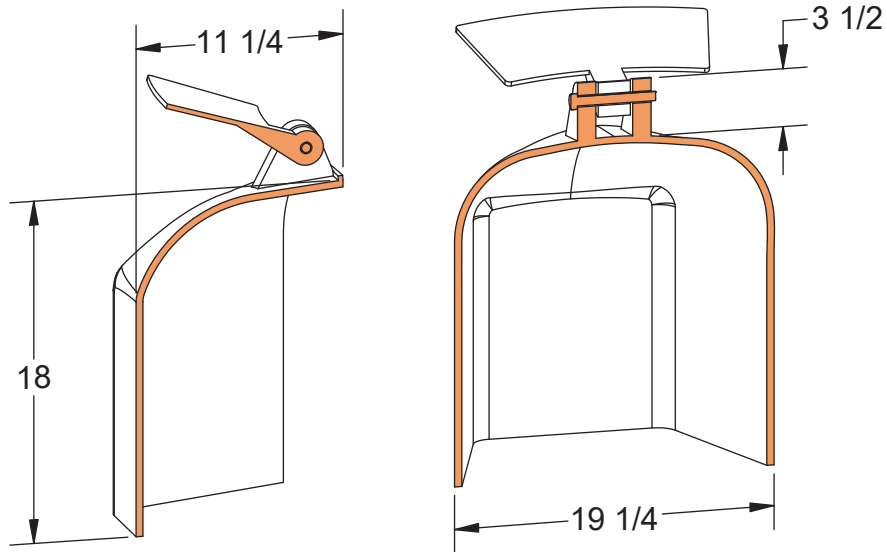


ASTM  
A48



Gray Iron  
Class 35B

**PRODUCT #MATRP**  
Massachusetts Trap with Flap

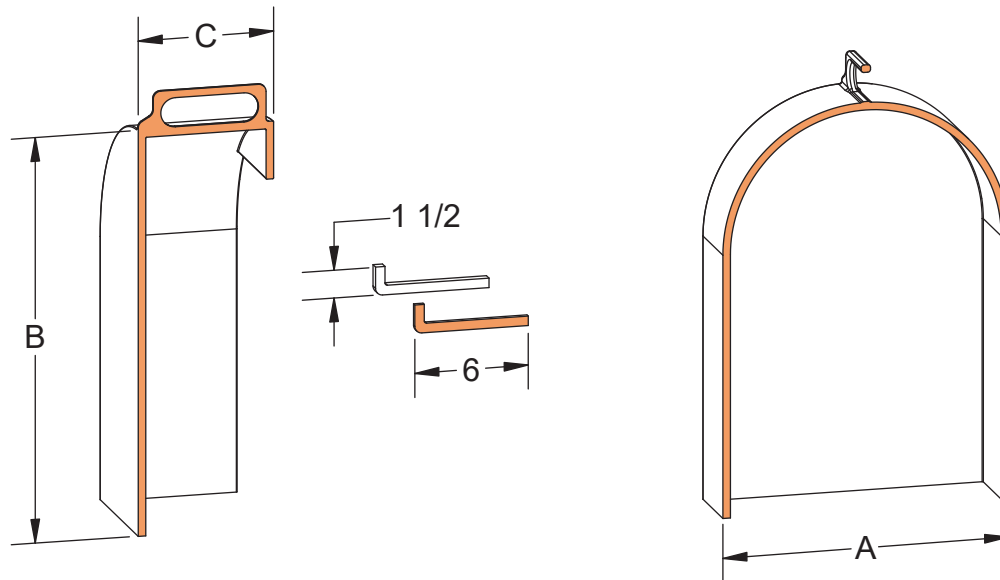


ASTM  
A48

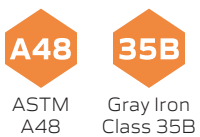


Gray Iron  
Class 35B

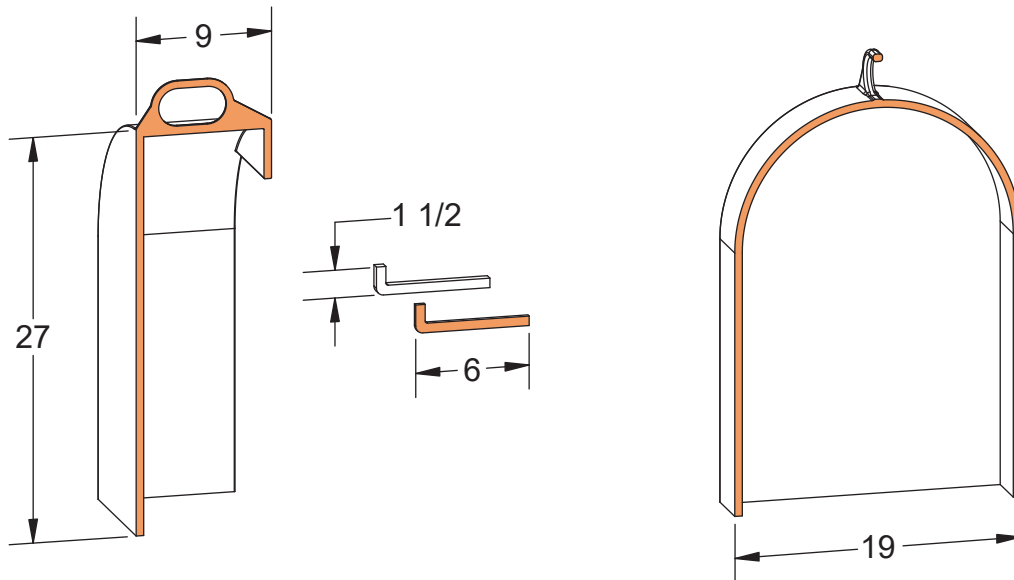
**PRODUCT #22565** *(Shown)*  
Catch Basin Hoods



Product	A	B	C	Pipe OD
22561	10	16	5	6, 8
22563	15-3/4	26	7-1/4	10, 12
22564	18	27	9	12, 15
22565	20	27	10	18



PRODUCT #22564  
NYC Hood



**Notes**

Conforms to NYCDEP SE60



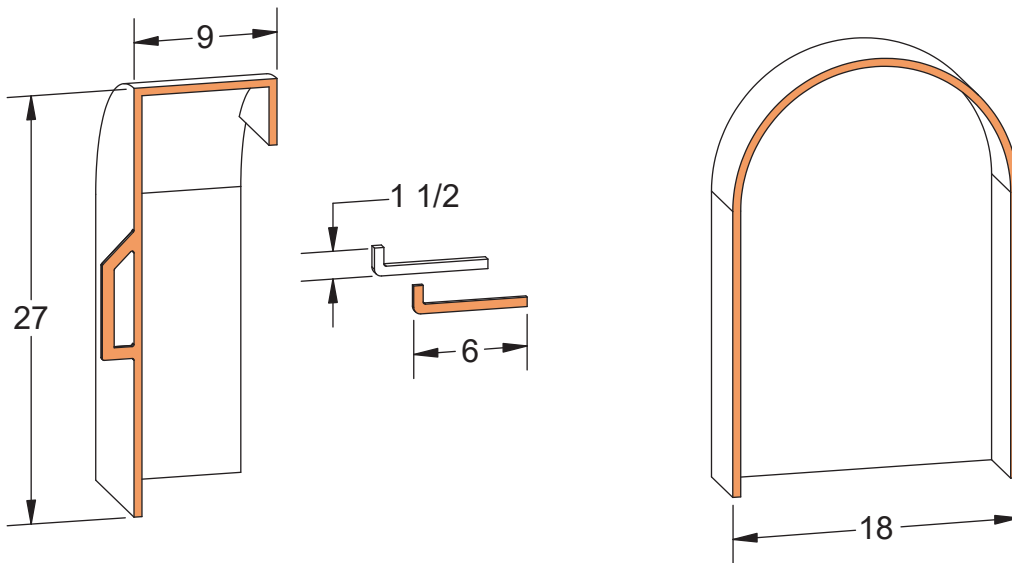
ASTM  
A48



Gray Iron  
Class 35B

**PRODUCT #22566**

Modified Catch Basin Hood

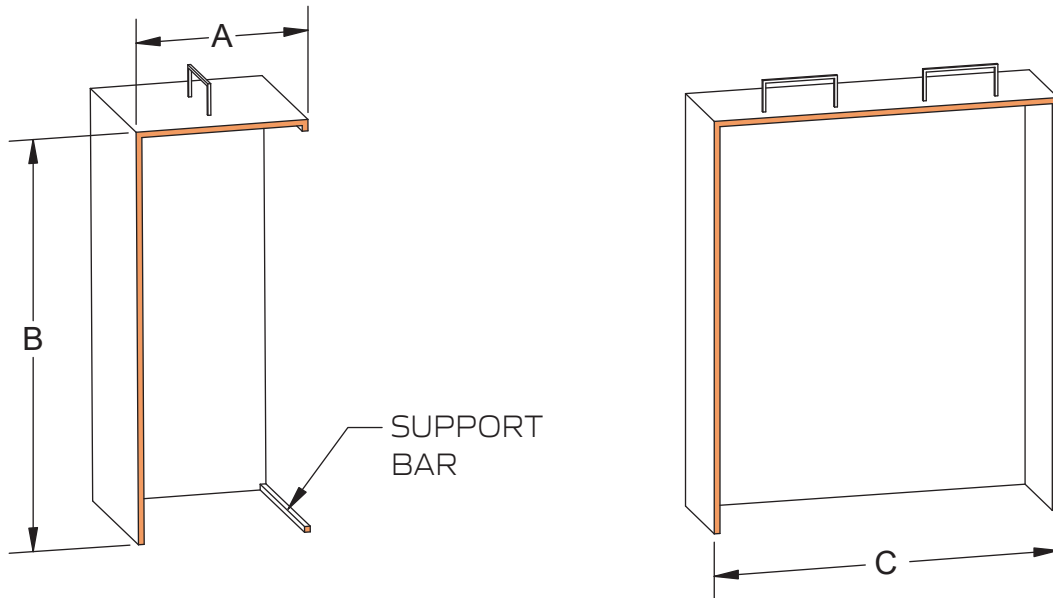


ASTM  
A48



Gray Iron  
Class 35B

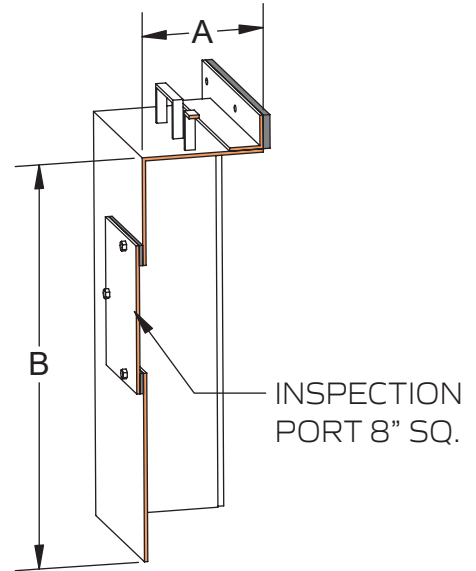
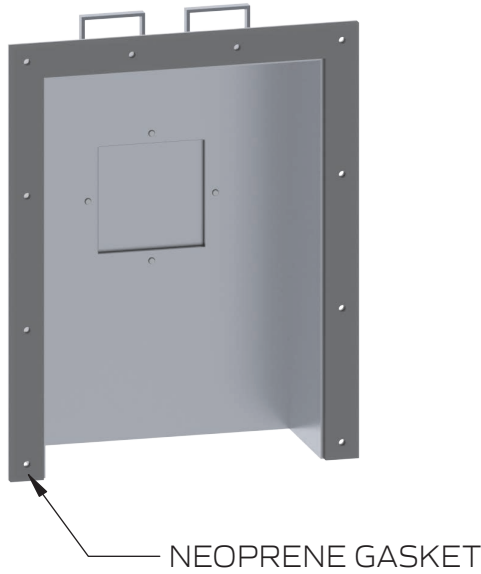
**PRODUCT #FBT24** (Shown)  
Fabricated Steel Trap



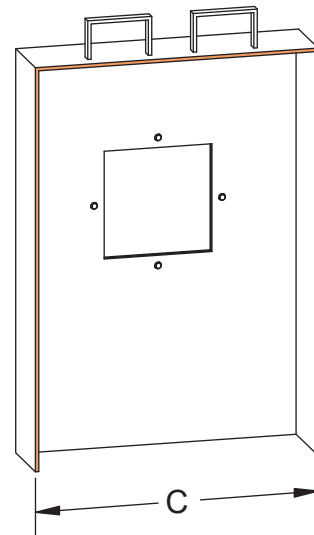
Product	A	B	C	Pipe OD
FBT24	15	36	30	24
FBT30	20	42	36	30
FBT36	25	48	42	36



**PRODUCT #AVT12** (Shown)  
Aluminum Vapor Trap



Product	A	B	C	Pipe Size
AVT06	6	20	10	6
AVT08	6	22	13	8
AVT10	6	24	15	10
AVT12	9	26	17	12
AVT15	9	30	21	15
AVT18	12	33	24	18
AVT21	12	36	30	21
AVT24	15	40	32	24
AVT30	15	48	38	30
AVT36	15	54	44	36



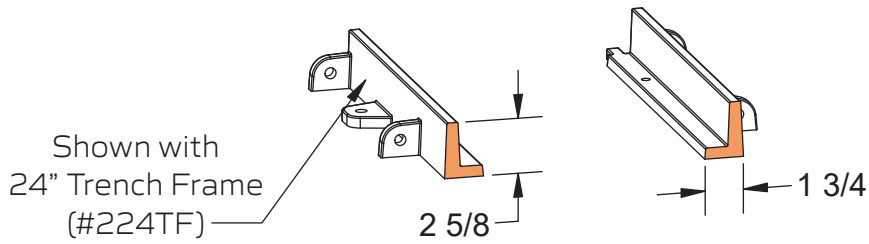
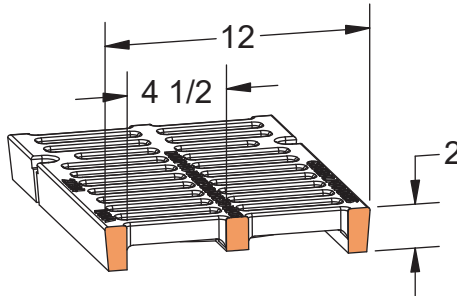
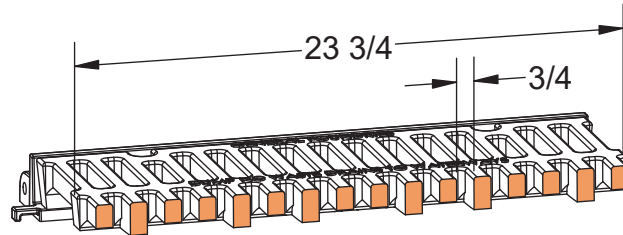
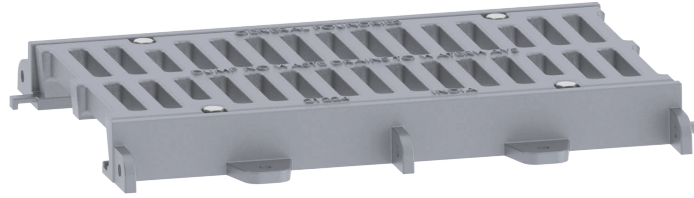
**Trench Frames and Grates Summary**

Summary of trench frames and grates listed in order of smallest **clear opening** and **frame height**.

Product	Grate Dimension	Seat Height	Clear Opening	Frame Seat ID	Frame Seat OD	Frame Height	Load Rating	Flow Area(in <sup>2</sup> )
21224	12 x 23-3/4	2	10	10	13-1/2	2-1/2	M306	105
21424	14 x 23-3/4	2	12	12	15-1/2	2-1/2	M306	105
22024	20 x 23-3/4	2	18	18	21-1/2	2-1/2	M306	105
22424	24 x 23-3/4	2	22	22	25-1/2	2-1/2	M306	105
22624	26 x 23-3/4	2	24	24	27-1/2	2-1/2	M306	105

**PRODUCT #21224**

12" Trench Frame & Grate



**Flow Area**  
~105 in<sup>2</sup>



Heavy  
Duty



AASHTO  
M306



ASTM  
A48



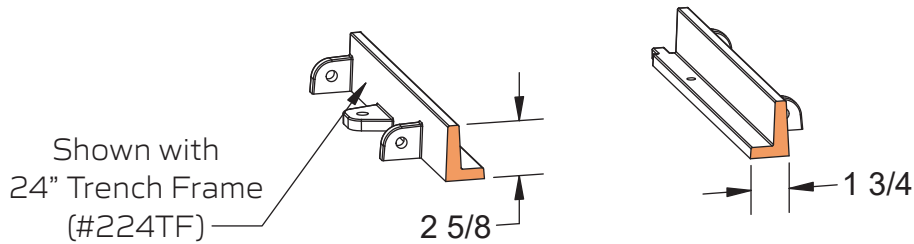
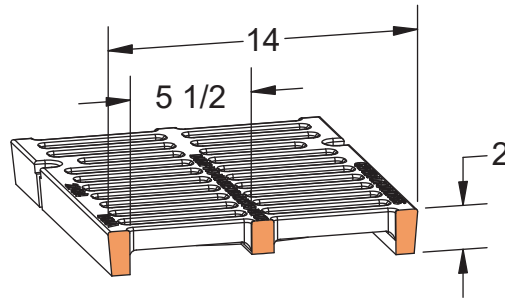
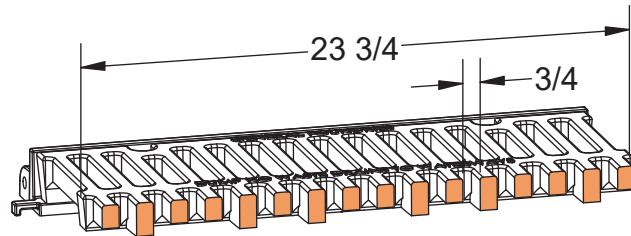
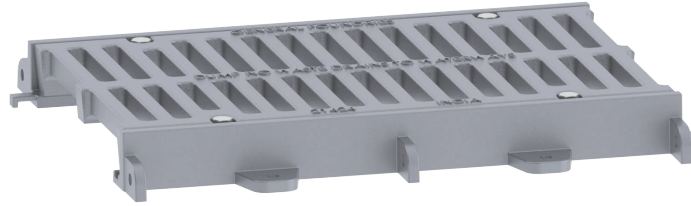
Gray Iron  
Class 35B



Bolted

**PRODUCT #21424**

14" Trench Frame & Grate



**Flow Area**  
~130 in<sup>2</sup>



Heavy Duty



AASHTO M306



ASTM A48

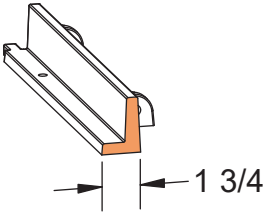
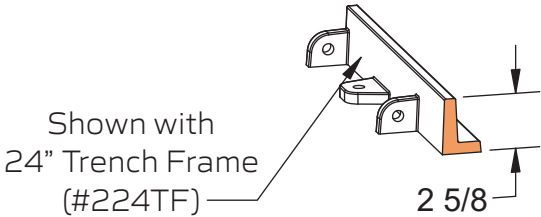
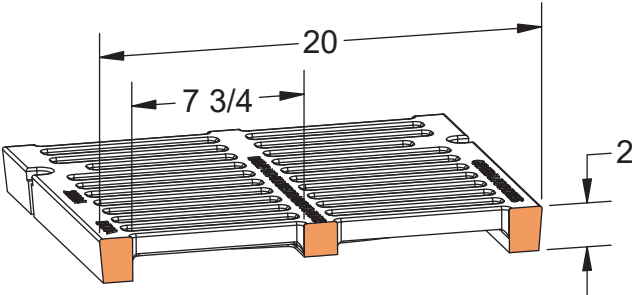
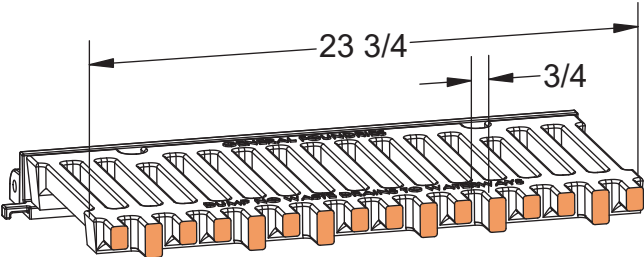


Gray Iron Class 35B



Bolted

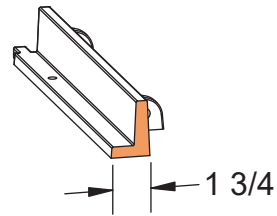
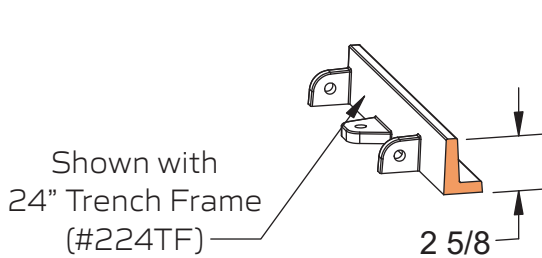
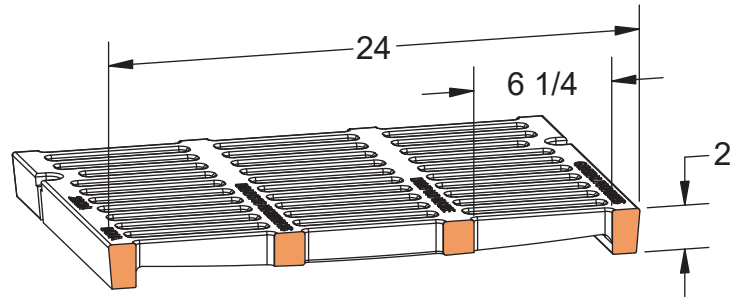
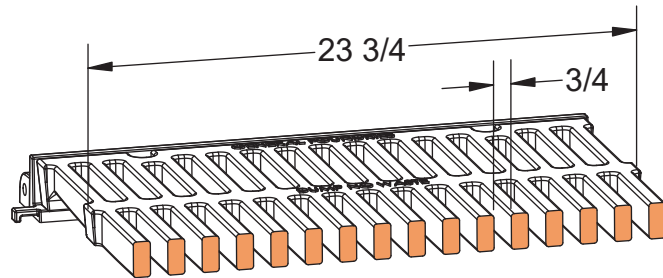
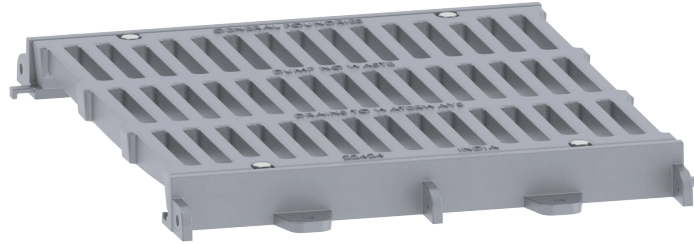
**PRODUCT #22024**  
20" Trench Frame & Grate



**Flow Area**  
~200 in<sup>2</sup>

- HD**  
Heavy Duty
- M306**  
AASHTO M306
- A48**  
ASTM A48
- 35B**  
Gray Iron Class 35B
-   
Bolted

**PRODUCT #22424**  
24" Trench Frame & Grate



**Flow Area**  
~250 in<sup>2</sup>



Heavy Duty



AASHTO M306



ASTM A48

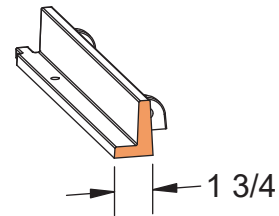
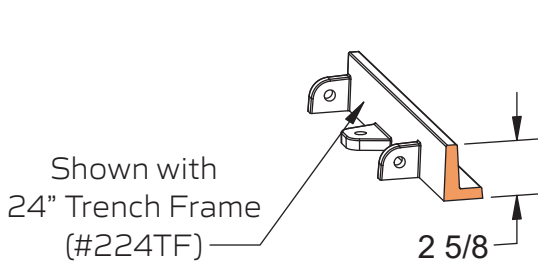
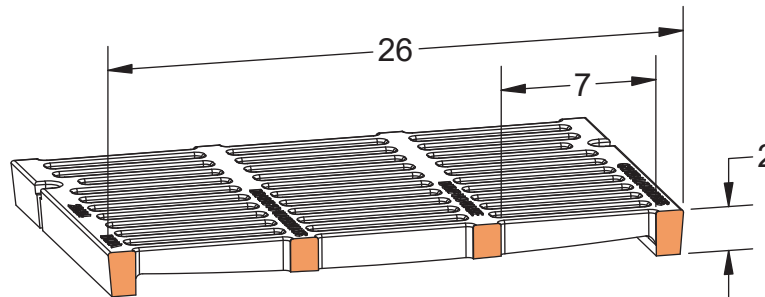
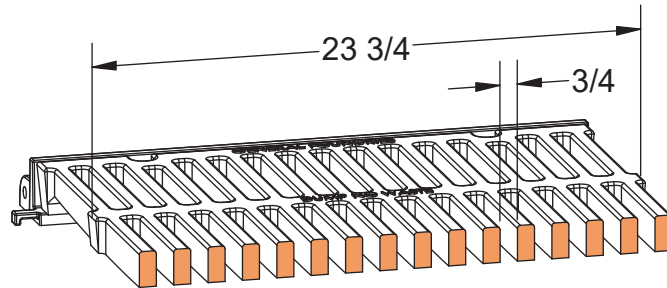
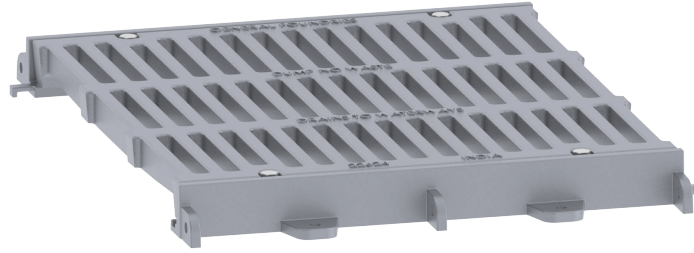


Gray Iron Class 35B



Bolted

**PRODUCT #22624**  
26" Trench Frame & Grate



**Flow Area**  
~275 in<sup>2</sup>



Heavy  
Duty



AASHTO  
M306



ASTM  
A48



Gray Iron  
Class 35B



Bolted

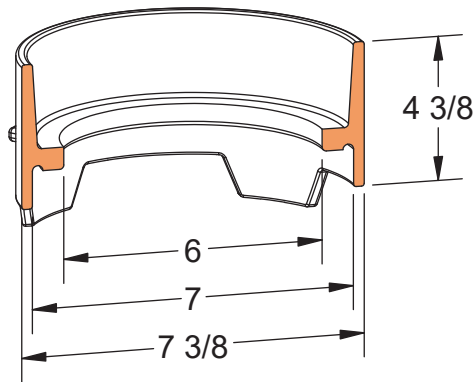
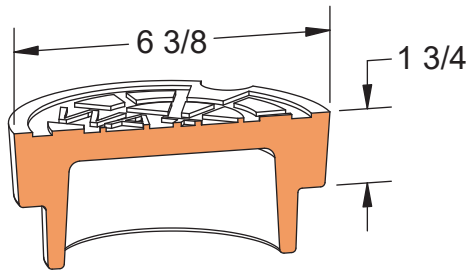
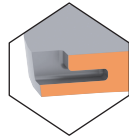
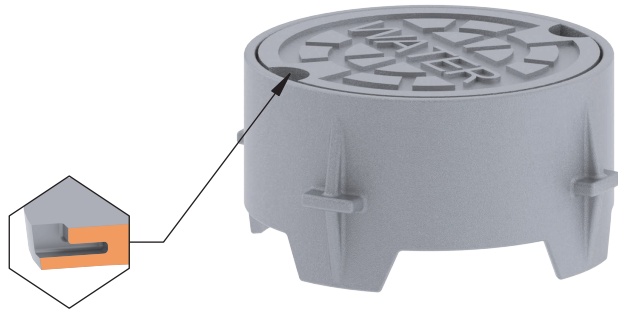
**Cleanout / Monument Boxes Summary**

Summary of cleanout / monument boxes listed in order of smallest **clear opening** and **frame height**.

Product	Cover Diameter	Seat Height	Clear Opening	Frame Seat ID	Frame Seat OD	Frame Height	Load Rating
17051	7-1/4	2	5-3/4	6-11/16	10-1/2	5-1/4	Light Duty
36108	8-7/8 SQ	7/8	5-3/4 SQ	5-3/4 SQ	10-5/8	9-1/2	Heavy Duty
17101	7-5/16	2-9/16	5-3/4	6-3/16	9-1/2	10	Light Duty
17041	6-3/8	1-3/4	6	7	7-3/8	4-3/8	Light Duty
18111	8-1/16	7/8	6-3/4	8-1/2	11-3/4	10-1/2	Heavy Duty
11041	9-5/8	1-1/2	8	9-7/8	13-1/2	3-3/4	Heavy Duty
11081	10-11/16	2	9-1/4	9-1/4	16	8	Heavy Duty
11181	11-1/4	1-5/16	10-1/8	13-3/16	20	8	Heavy Duty
11671	16	7/8	15	15	23	7-1/2	Heavy Duty

**PRODUCT #17041**

Frame & Cover for 4" Cleanout



**Available Markings**

- Fire
- Gas
- Open Left Arrow
- Open Right Arrow
- Plain
- Sewer
- Water



Light  
Duty



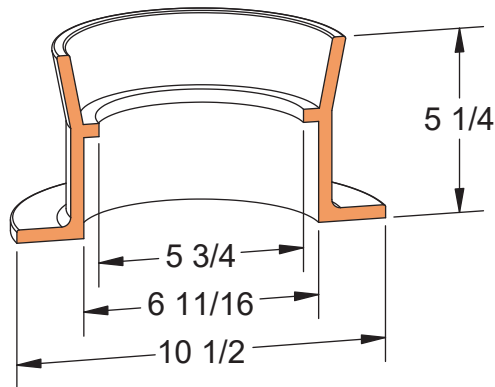
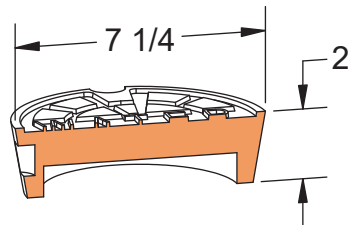
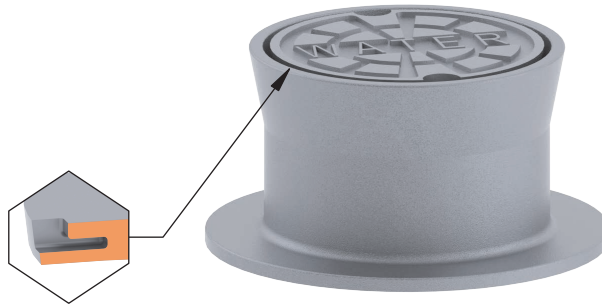
ASTM  
A48



Gray Iron  
Class 35B

**PRODUCT #17051**

Frame & Cover for 4" Cleanout



**Available Markings**

- Fire
- Gas
- Open Left Arrow
- Open Right Arrow
- Plain
- Sewer
- Water



Light  
Duty



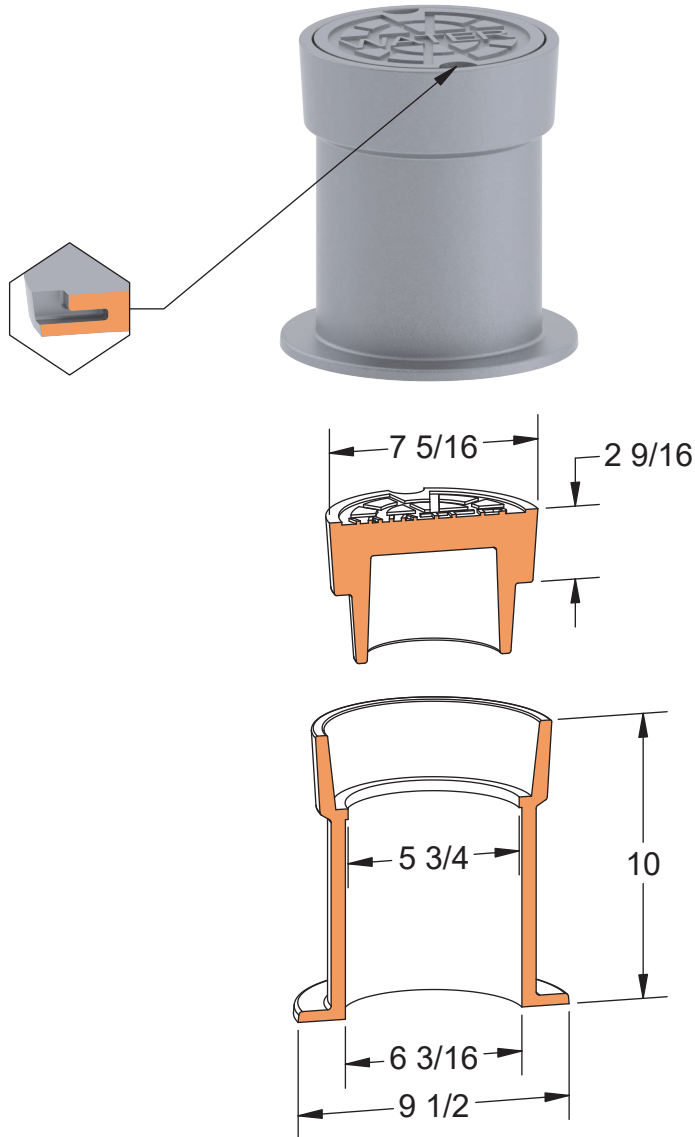
ASTM  
A48



Gray Iron  
Class 35B

**PRODUCT #17101**

Frame & Cover for 4" Cleanout



**Available Markings**

- Fire
- Gas
- Open Left Arrow
- Open Right Arrow
- Plain
- Sewer
- Water



Light  
Duty



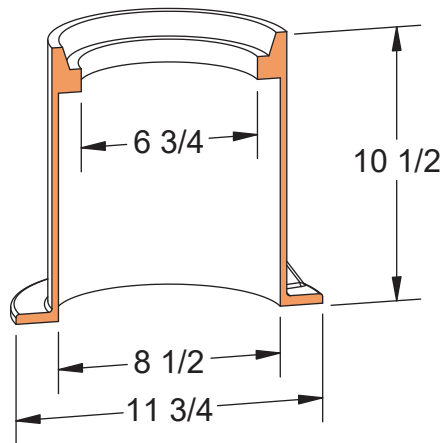
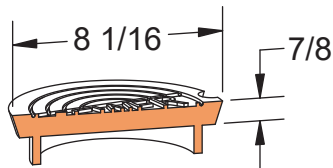
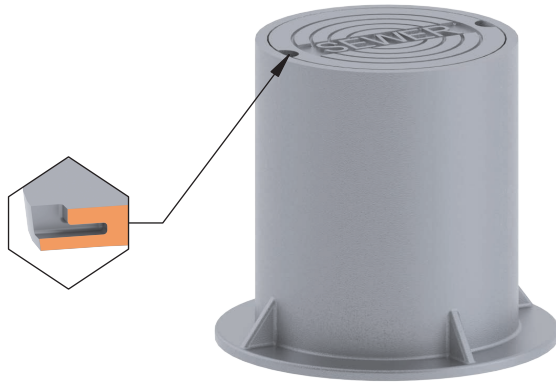
ASTM  
A48



Gray Iron  
Class 35B

**PRODUCT #18111**

Frame & Cover for 6" Cleanout



**Available Markings**

- Cleanout
- Plain
- Sewer
- Water



Heavy  
Duty

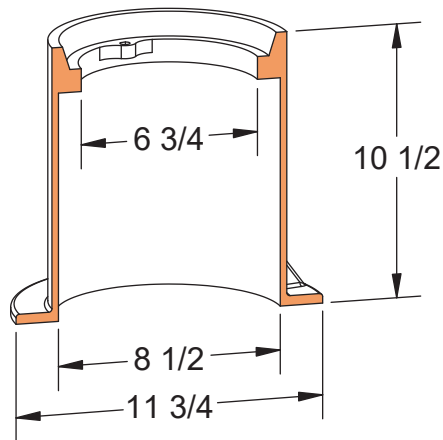
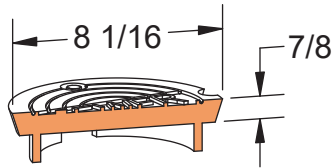
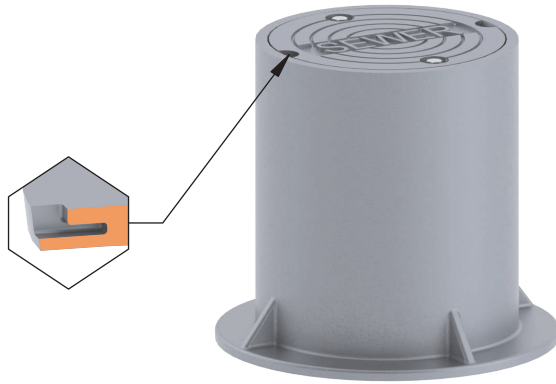


ASTM  
A48



Gray Iron  
Class 35B

**PRODUCT #18111-BLT**  
Bolted Frame & Cover for 6" Cleanout



**Available Markings**

- Cleanout
- Plain
- Sewer
- Water



Heavy Duty



ASTM A48



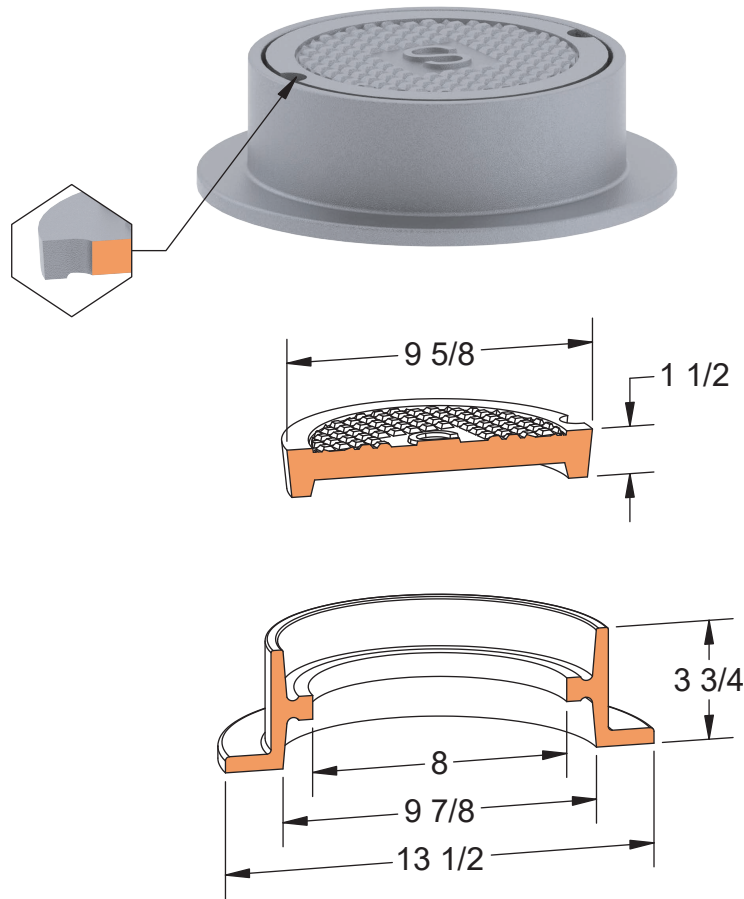
Gray Iron Class 35B



Bolted

**PRODUCT #11041**

Frame & Cover for 6" Cleanout



**Available Markings**

- D
- Plain
- S



Heavy Duty



AASHTO M306



ASTM A48



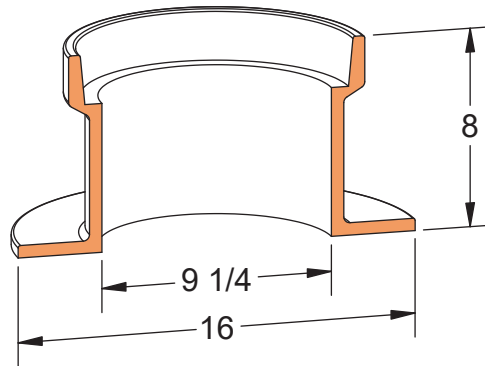
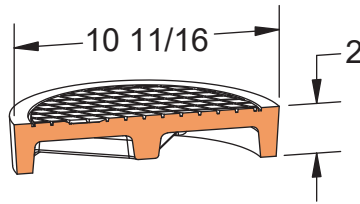
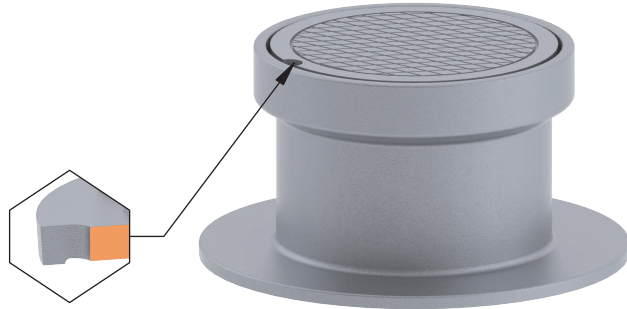
Gray Iron Class 35B



Reversible

**PRODUCT #11081**

Frame & Cover for 8" Cleanout



**Available Markings**

- Cleanout
- Plain
- S
- Sewer
- Storm



Heavy Duty



AASHTO M306



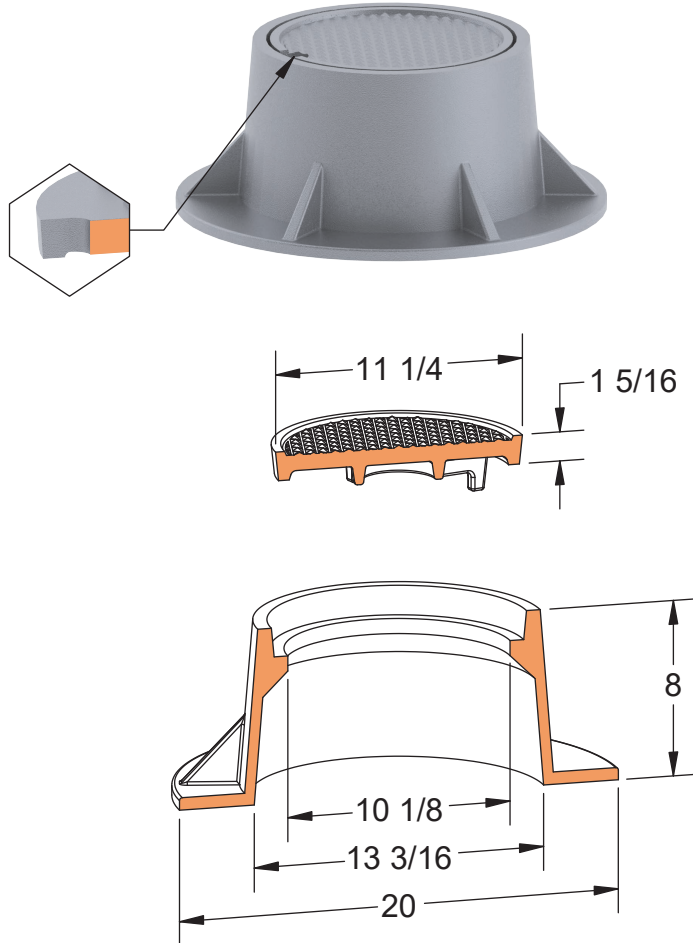
ASTM A48



Gray Iron Class 35B

**PRODUCT #11181**

Frame & Cover for 10" Cleanout



**Available Markings**

- Cleanout
- Drain
- Plain
- Sanitary
- Sewer
- Storm



Heavy Duty



AASHTO M306

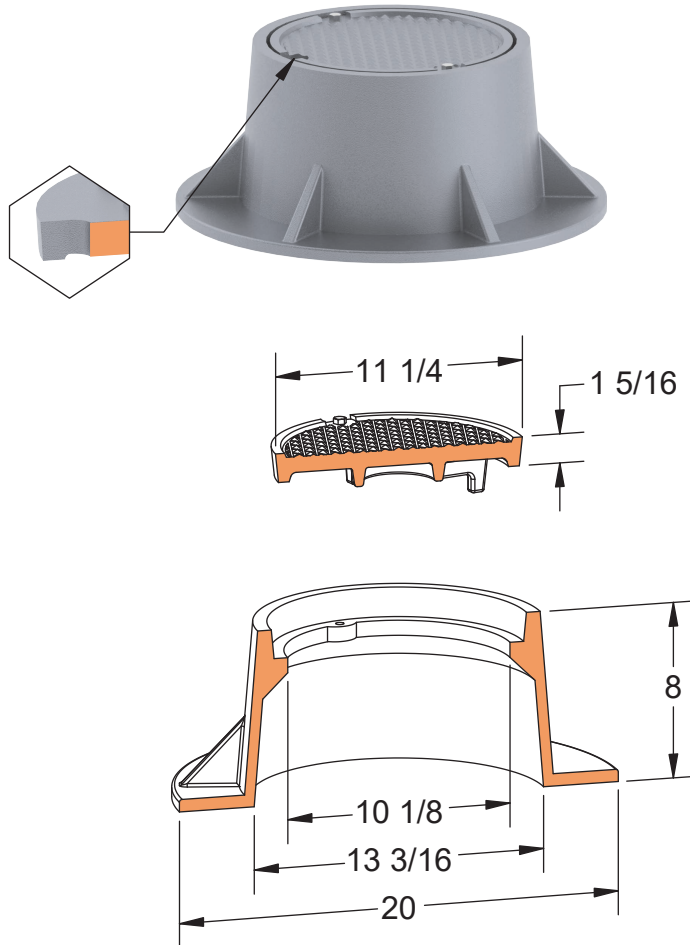


ASTM A48



Gray Iron Class 35B

**PRODUCT #11181-BLT**  
Bolted Frame & Cover for 10" Cleanout



**Available Markings**

- Cleanout
- Drain
- Plain
- Sanitary
- Sewer
- Storm



Heavy  
Duty



AASHTO  
M306



ASTM  
A48



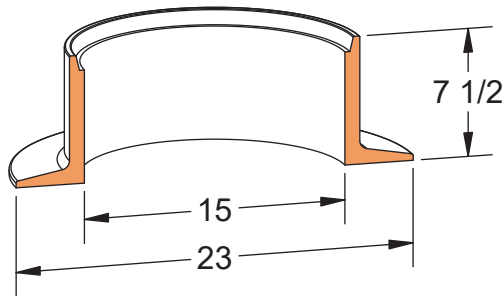
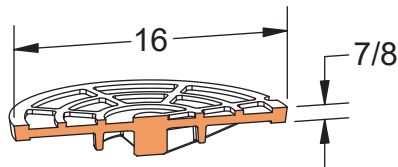
Gray Iron  
Class 35B



Bolted

**PRODUCT #11671**

Wilmington Frame & Cover



**Available Markings**

Plain  
S



Heavy  
Duty



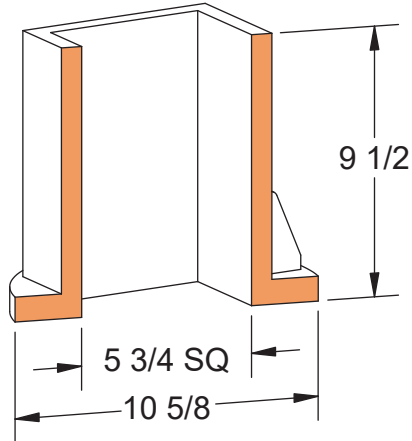
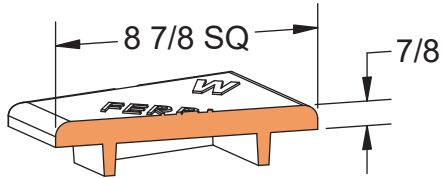
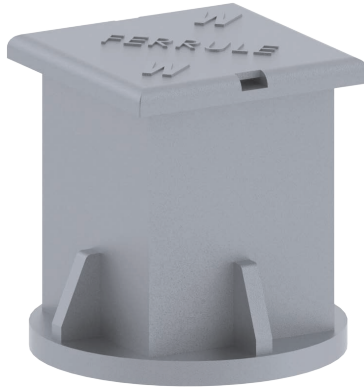
ASTM  
A48



Gray Iron  
Class 35B

**PRODUCT #36108**

Ferrule Cleanout Frame & Cover



Heavy  
Duty

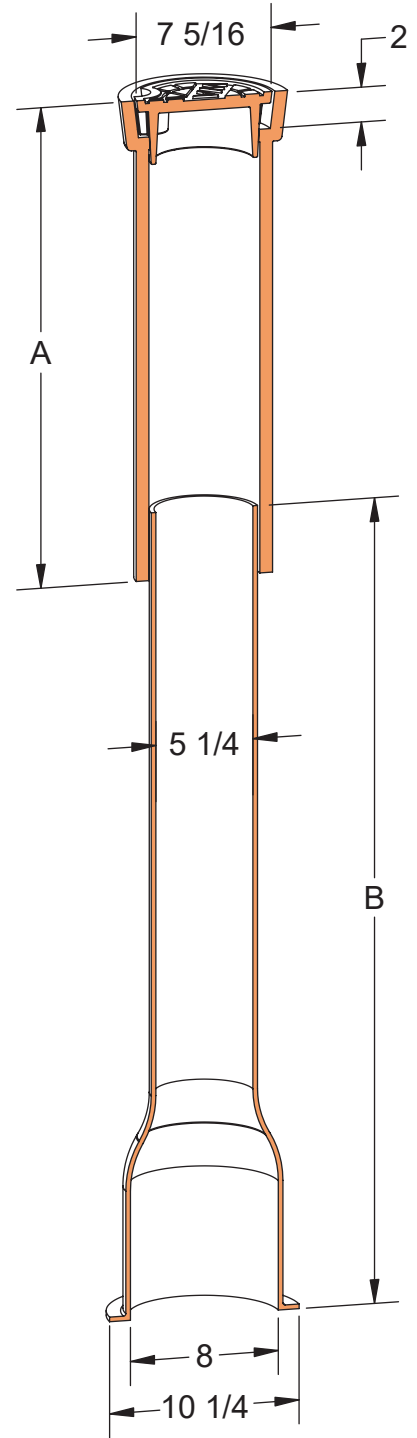


ASTM  
A48



Gray Iron  
Class 35B

**PRODUCT #30664NF** (Shown)  
Slip Type, No Flange



Product	A	B	Range
30461NF	10	15	20 - 24
30462NF	10	24	28 - 33
30562NF	16	24	28 - 38
30564NF	16	36	40 - 51
30664NF	26	36	40 - 61
30666NF	26	48	52 - 82
30668NF	26	60	63 - 83
30669NF	36	36	50 - 80



Heavy Duty

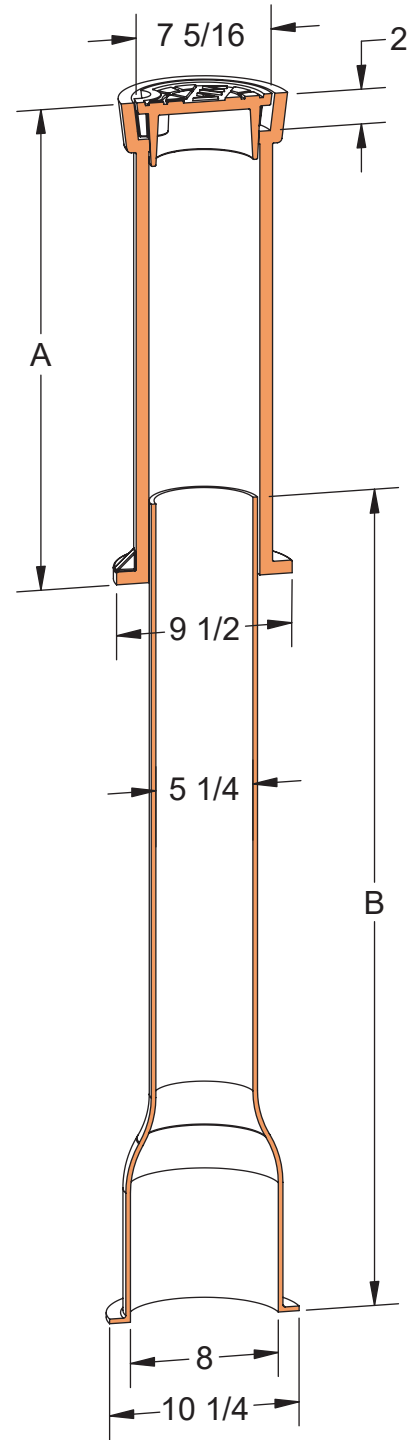


ASTM A48



Gray Iron Class 35B

**PRODUCT #30664BF** (Shown)  
Slip Type, Bottom Flange



Product	A	B	Range
30461BF	10	15	20 - 24
30462BF	10	24	28 - 33
30562BF	16	24	28 - 38
30564BF	16	36	40 - 51
30664BF	26	36	40 - 61
30666BF	26	48	52 - 82
30668BF	26	60	63 - 83
30669BF	36	36	50 - 80



Heavy Duty

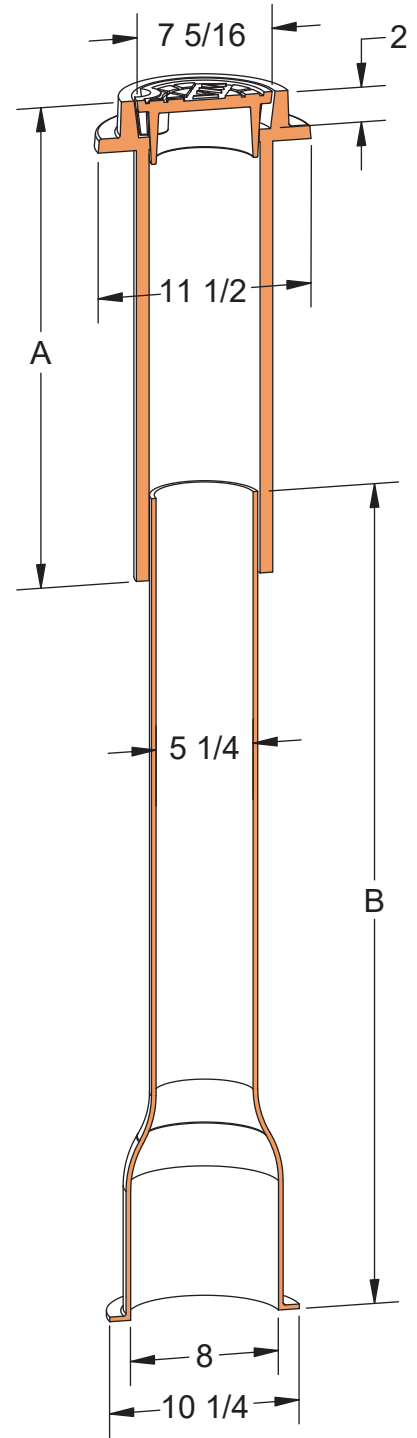


ASTM A48



Gray Iron Class 35B

**PRODUCT #30664TF** (Shown)  
Slip Type, Top Flange



Product	A	B	Range
30461TF	10	15	20 - 24
30462TF	10	24	28 - 33
30562TF	16	24	28 - 38
30564TF	16	36	40 - 51
30664TF	26	36	40 - 61
30666TF	26	48	52 - 82
30668TF	26	60	63 - 83
30669TF	36	36	50 - 80



Heavy Duty

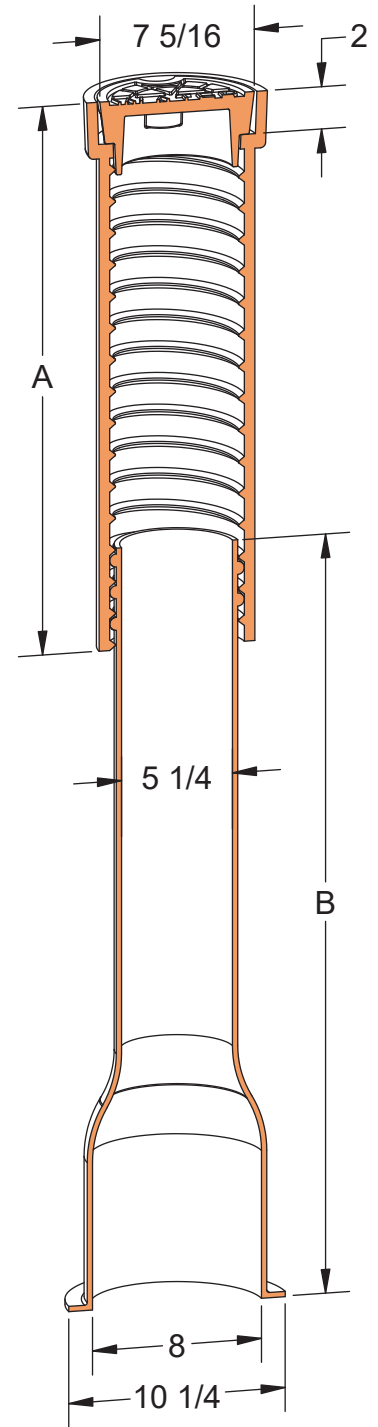


ASTM A48



Gray Iron Class 35B

**PRODUCT #32664** (Shown)  
Screw Type



Product	A	B	Range
32461	10	15	19 - 22
32462	10	24	27 - 32
32562	16	24	27 - 37
32563	16	30	33 - 43
32564	16	36	39 - 50
32662	26	30	36 - 52
32664	26	36	39 - 60
32666	26	48	51 - 71
32668	26	60	62 - 82



Heavy Duty



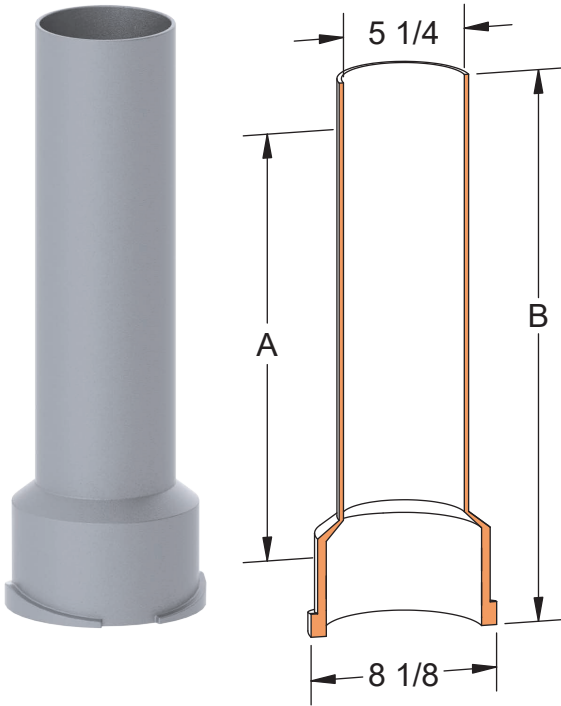
ASTM A48



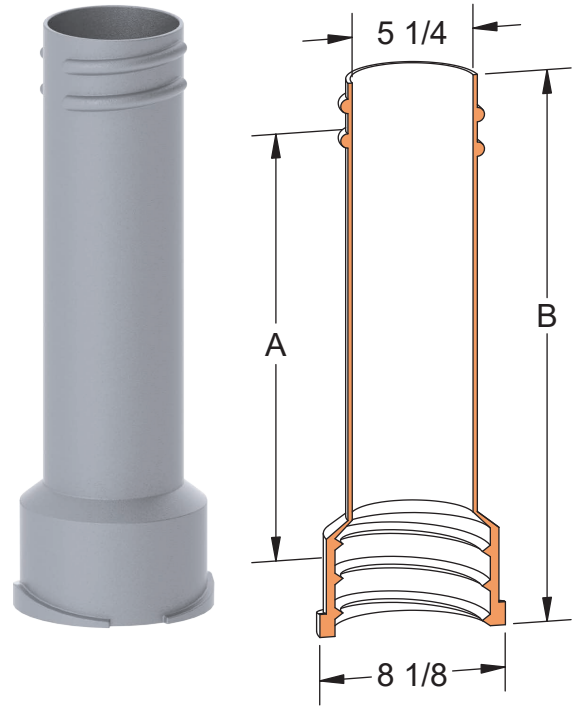
Gray Iron Class 35B

EXTENSIONS/LOCKING BOTTOMS

Slip Type



Screw Type



Product	A (Extension)	B
31014	14	18
31018	18	24
31024	24	30

Product	A (Extension)	B
33010	10	14
33014	14	18
33018	18	24
33024	24	30
33030	30	36



ASTM  
A48

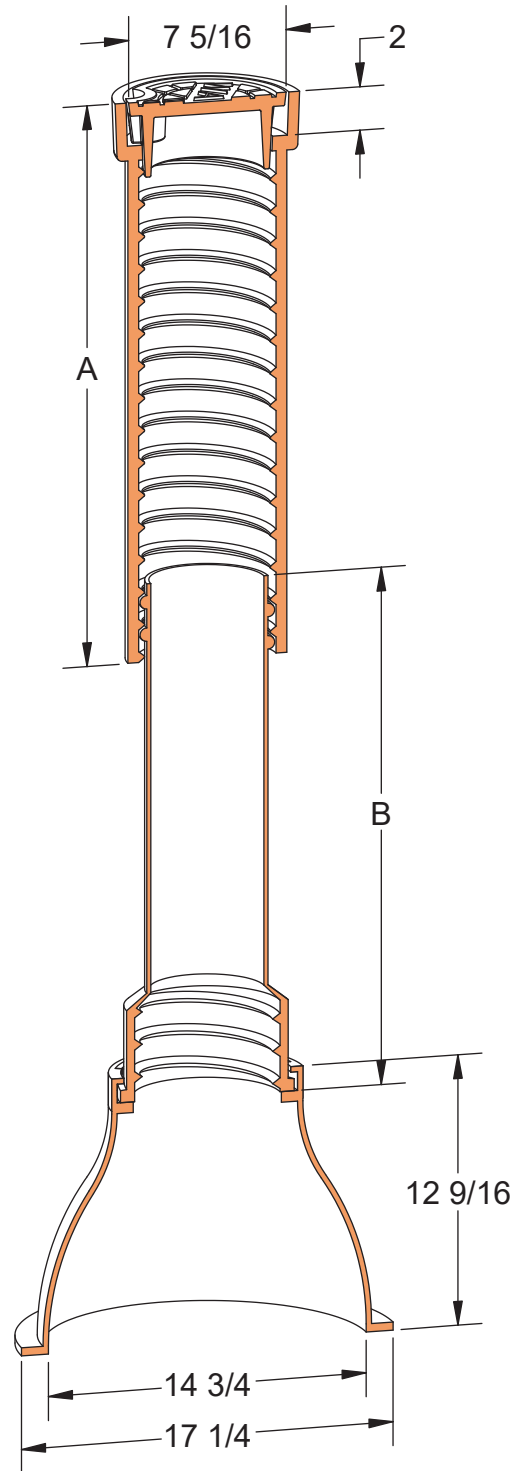


Gray Iron  
Class 35B

**PRODUCT #340C0** (Shown)  
Screw Type, 3 Piece



Product	A	B	Range
340AA	10	14	27 - 31
340AO	16	18	33 - 42
340BO	16	24	39 - 49
340C0	16	30	45 - 54
340CC	16	36	51 - 60
340DO	26	30	45 - 66
340DD	26	36	51 - 72
340EO	16	48	63 - 72
340FO	26	48	63 - 84
340GO	26	60	74 - 94



Heavy Duty



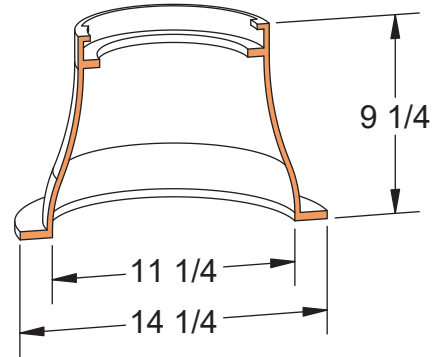
ASTM A48



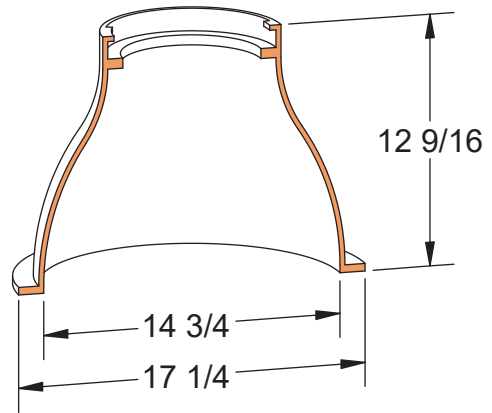
Gray Iron Class 35B

VALVE BOX BASES

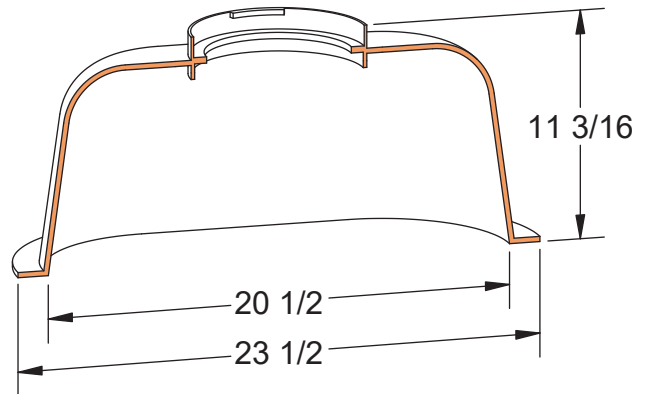
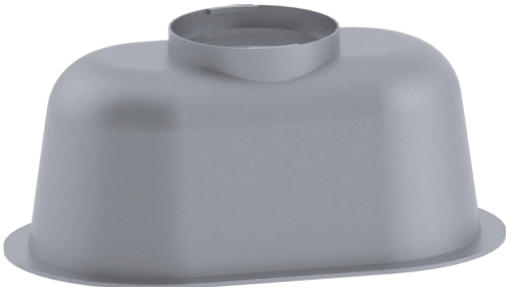
PRODUCT #30004



PRODUCT #30006

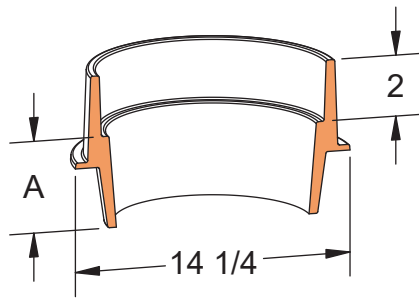


PRODUCT #30160



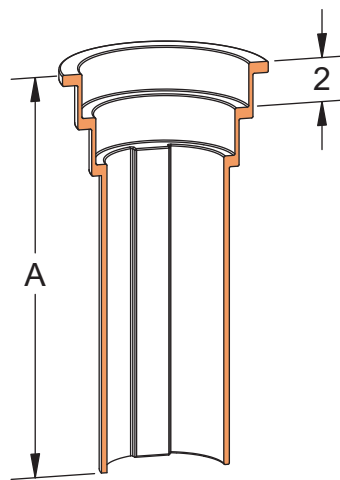
VALVE BOX RISERS

Fixed Risers



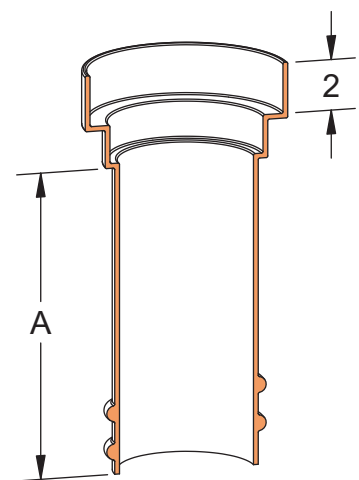
Product	A (Raise)
30210	1
30215	1-1/2
30220	2
30225	2-1/2
30230	3
30240	4
30260	6
30280	8
30300	10
30320	12

Adjustable Slip Type



Product	A (Raise)
30012	12
30018	18
30024	24

Adjustable Screw Type



Product	A (Raise)
32012	12
32018	18
32024	24



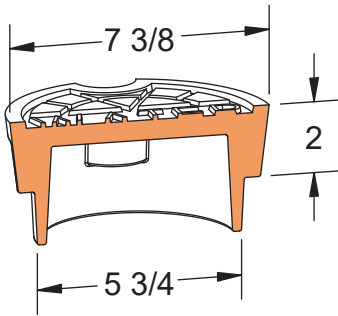
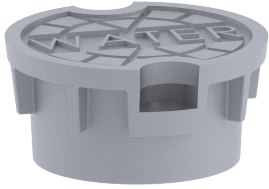
ASTM  
A48



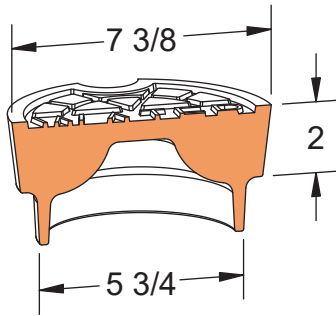
Gray Iron  
Class 35B

VALVE BOX LIDS

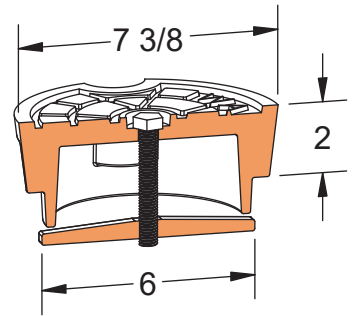
Standard



Heavy Duty



Locking Type



Available Markings

Please see page 245



Heavy Duty



ASTM A48



Gray Iron Class 35B

VALVE BOX LID MARKINGS

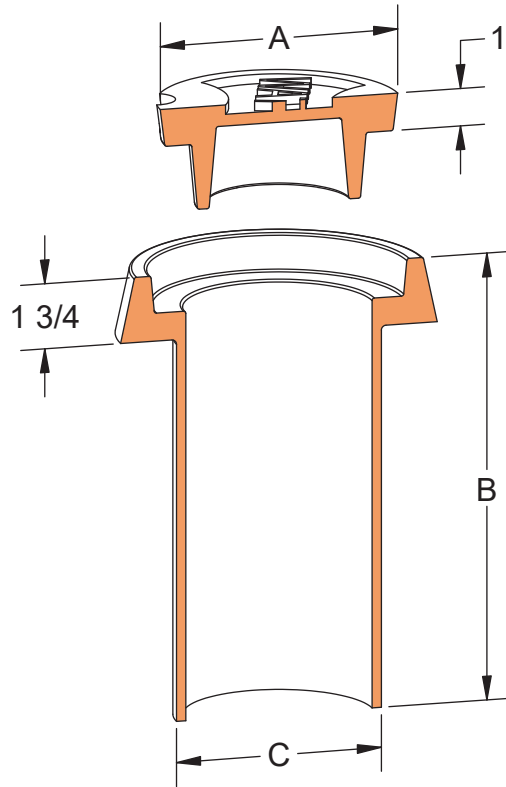


ASTM  
A48



Gray Iron  
Class 35B

**PRODUCT #30S21** (Shown)  
Pioneer Adaptor



Product	A	B	C
30S10	5-5/8	6	4-1/2
30S11	5-5/8	12	4-1/2
30S20	6-3/8	6	5-1/4
30S21	6-3/8	12	5-1/4
30S22	6-3/8	18	5-1/4

**Available Markings**

- Gas
- Sewer
- Water

**Notes**

S10 and S11 are suitable for 4-1/4" Roadway Boxes.  
S20, S21, S22 are suitable for 5-1/4" Valve Boxes.



Heavy  
Duty

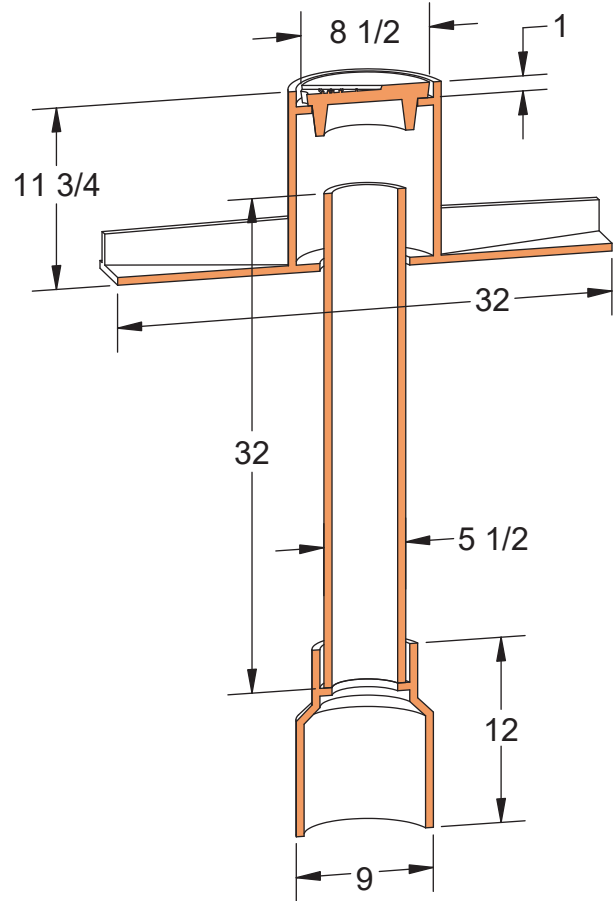


ASTM  
A48

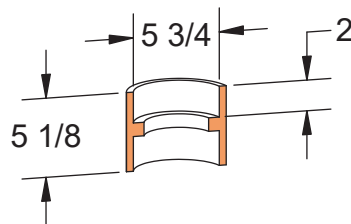
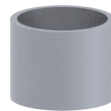


Gray Iron  
Class 35B

**PRODUCT #COLVB**  
Columbus Valve Box



**STEM SLEEVE / EXTENSION**



Heavy Duty



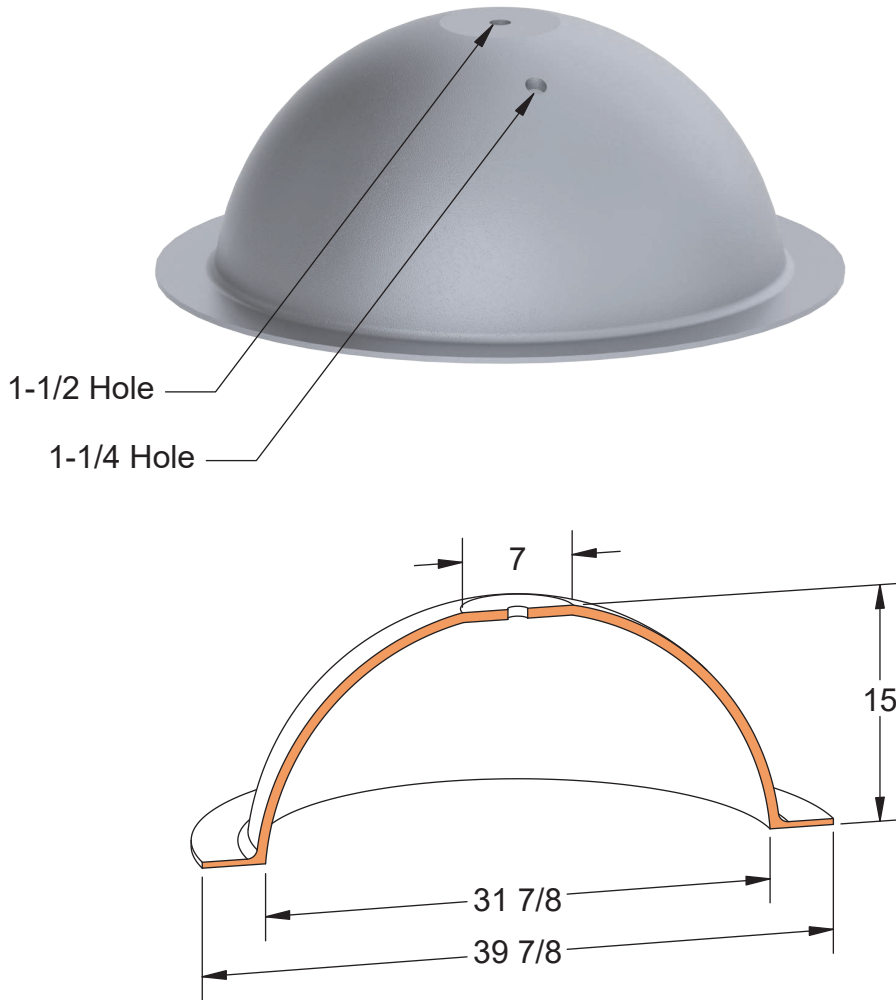
ASTM A48



Gray Iron Class 35B

**PRODUCT #34435**

NYC Hydrant Drain Base



**Notes**

Conforms to NYCDEP STD. DWG. 22809-Z



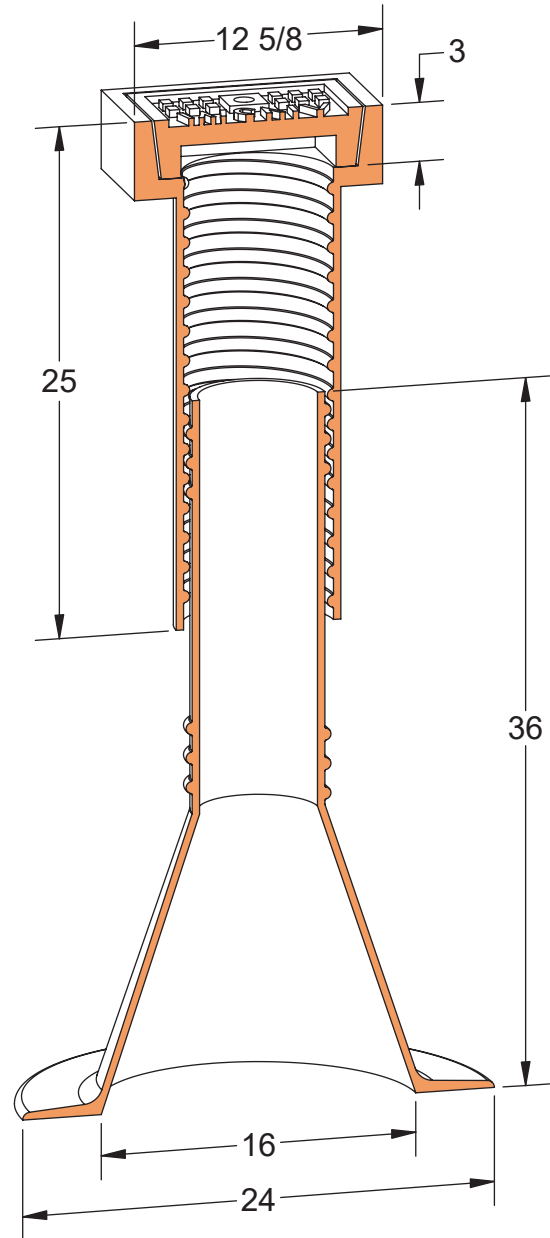
ASTM  
A48



Gray Iron  
Class 35B

**PRODUCT #34425**

NYC Hydrant Valve Box



**Notes**

Conforms to NYCDEP STD. DWG. 10241-A-Z



Heavy Duty

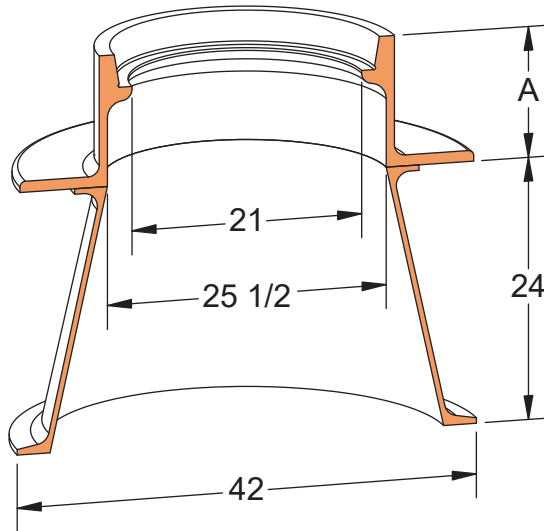
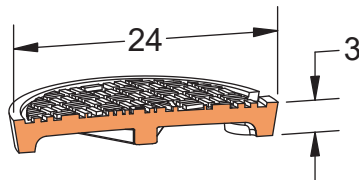
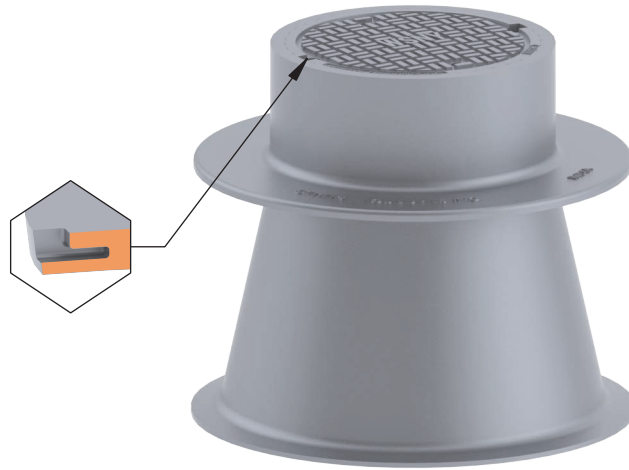


ASTM A48



Gray Iron Class 35B

**PRODUCT #34403** (Shown)  
 NYC Mainline Valve Box



Product	A
34400	6
34403	12



Heavy Duty



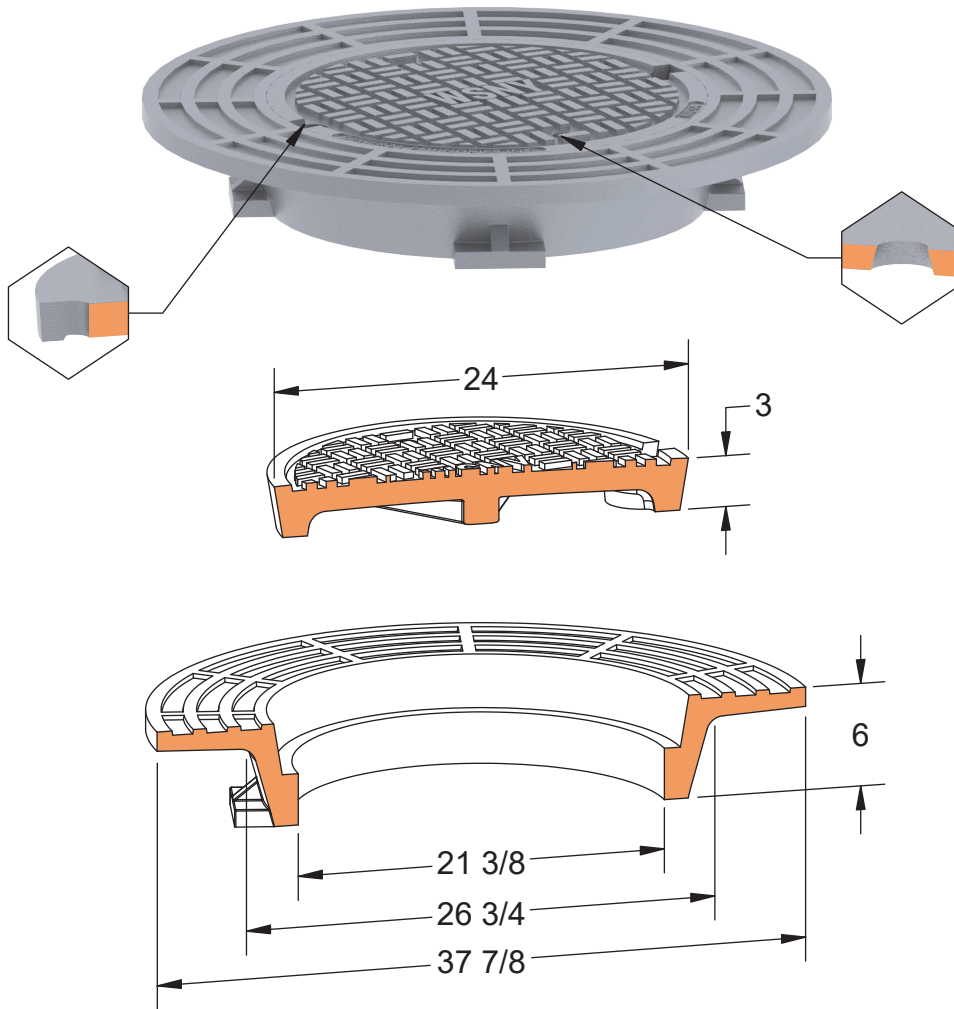
ASTM A48



Gray Iron Class 35B

**PRODUCT #34406**

6" Slab Type WSNY Frame & Cover



**Available Markings**  
WSNY



Heavy  
Duty



AASHTO  
M306



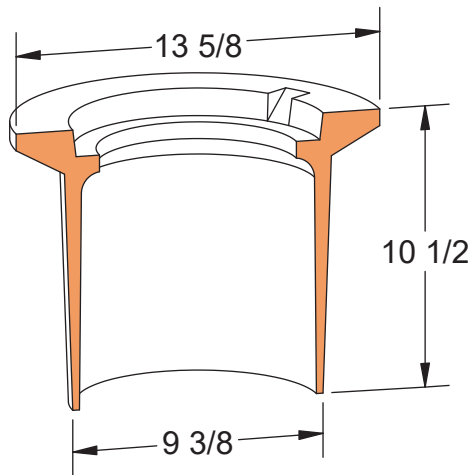
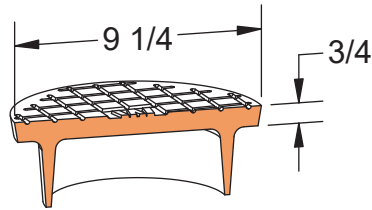
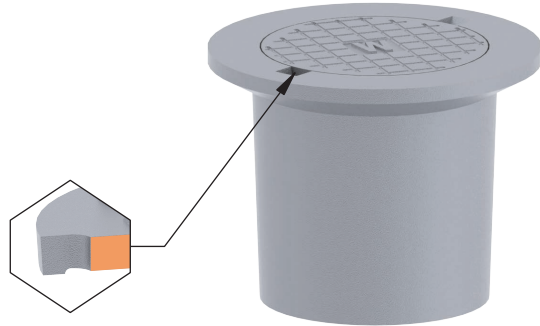
ASTM  
A48



Gray Iron  
Class 35B

**PRODUCT #10910**

Louisville Standard #2 Valve Box



Heavy  
Duty



ASTM  
A48



Gray Iron  
Class 35B

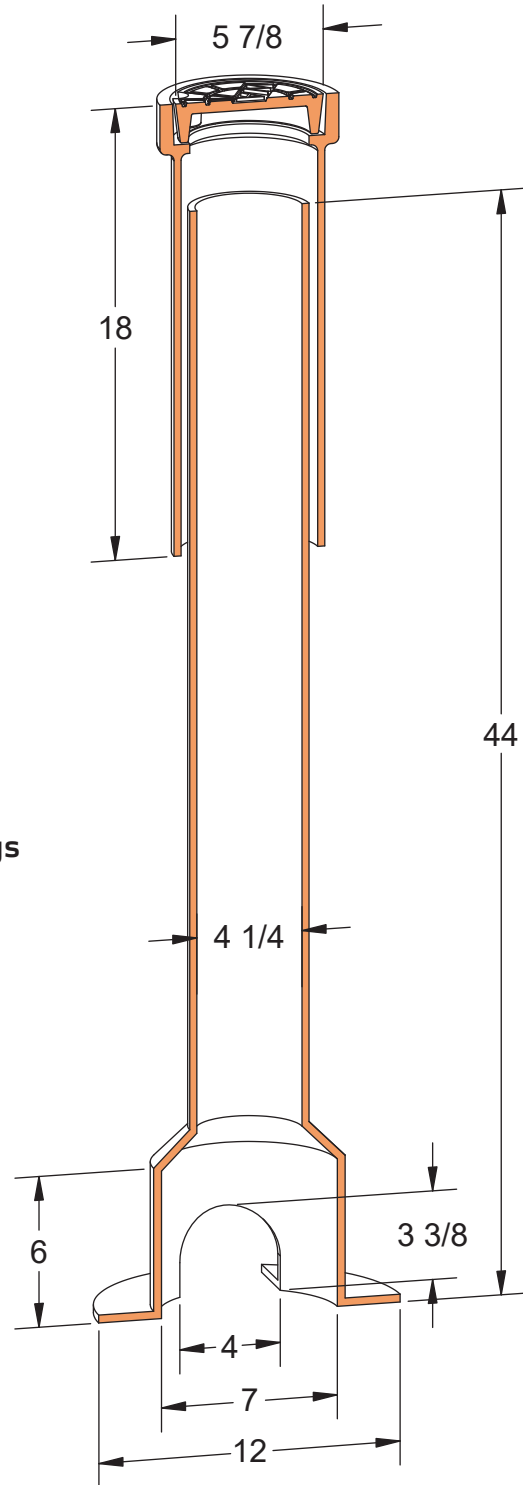
PRODUCT #38145

Slip Type



Available Markings

Sewer  
Water



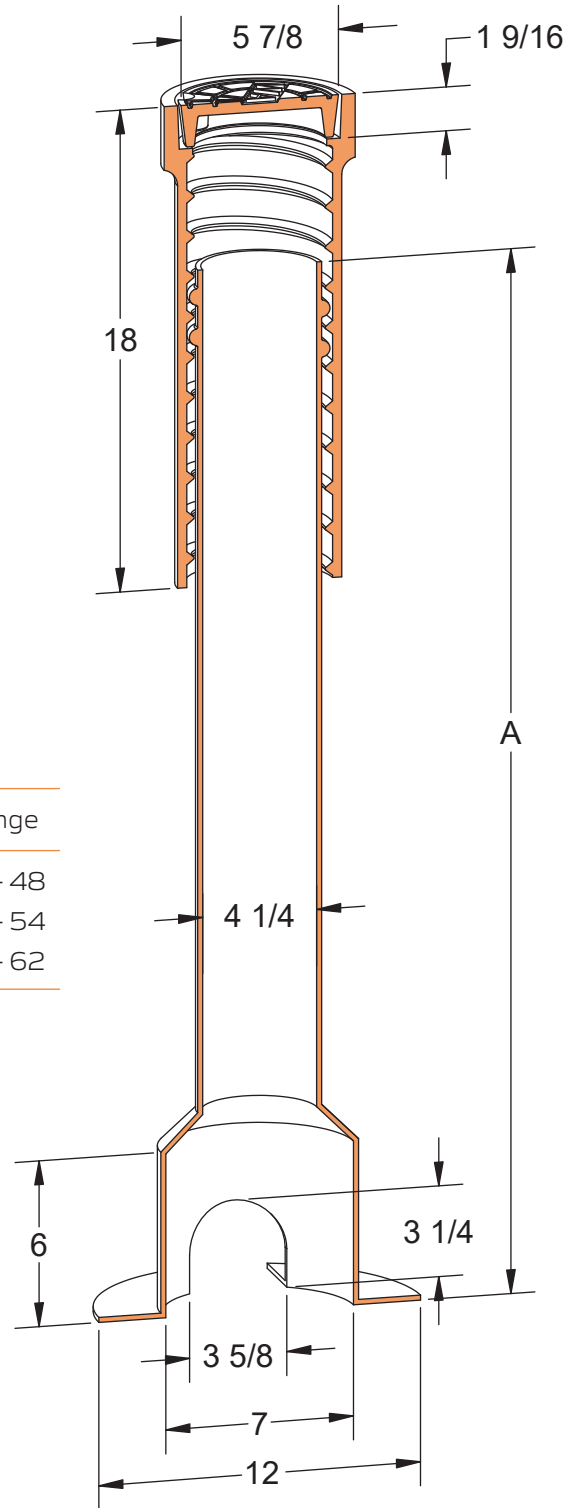
A48

ASTM  
A48

30B

Gray Iron  
Class 30B

PRODUCT #39144 (Shown)  
Screw Type



Product	A	Range
39143	34	36 - 48
39144	40	42 - 54
39145	44	49 - 62



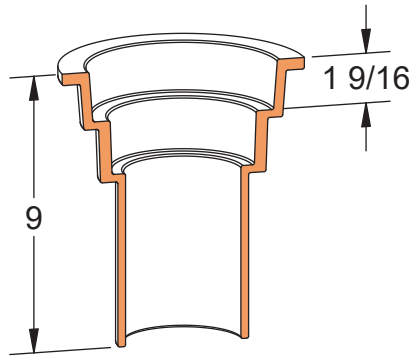
ASTM  
A48



Gray Iron  
Class 30B

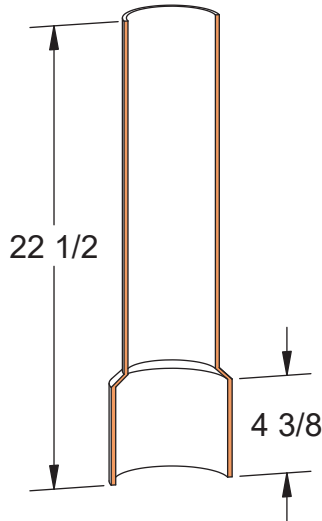
RISERS & EXTENSIONS

Top Riser



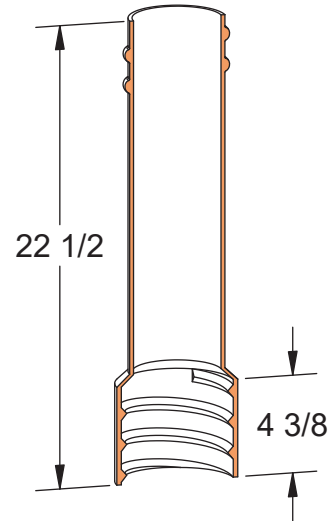
Product	Range
39009	2 - 6

Slip Extension



Product	Range
38049	5 - 18

Screw Extension



Product	Range
39049	5 - 18



ASTM  
A48



Gray Iron  
Class 30B

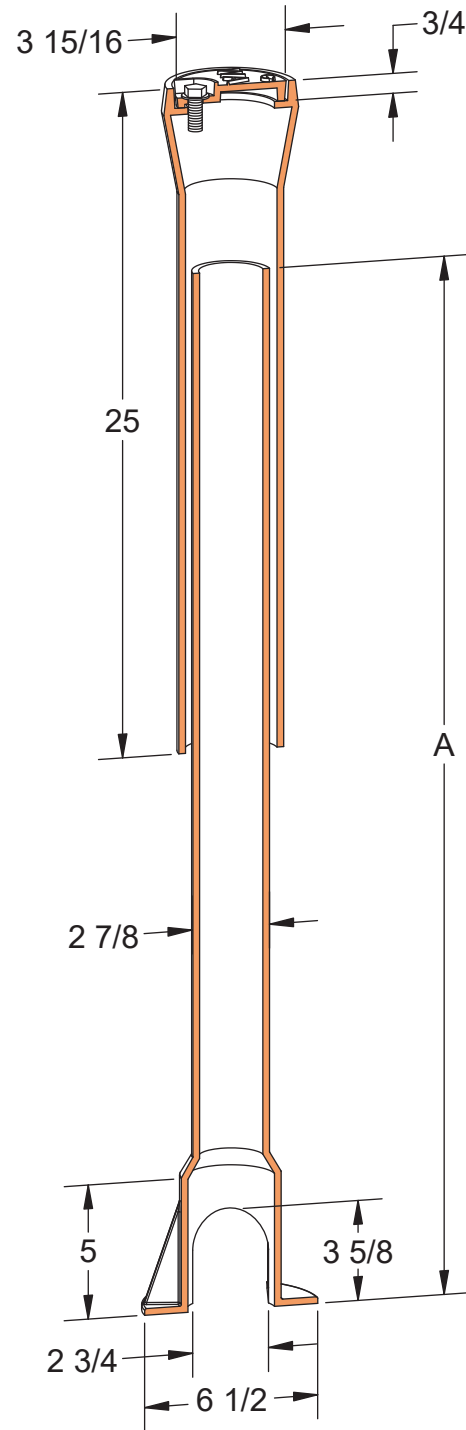
**PRODUCT #36094E** (Shown)  
Slip Type



Product	A	Range
36094E	39	42 - 60
36095E	47	41 - 64
36100E	60	54 - 72

**Available Markings**

Gas  
Sewer  
Water



ASTM  
A48

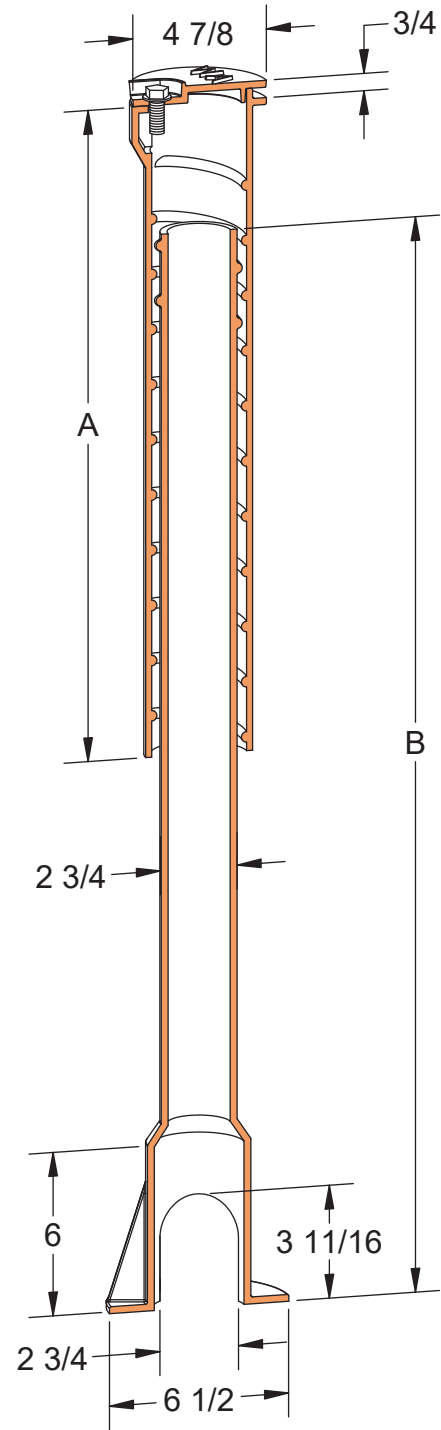


Gray Iron  
Class 30B

**PRODUCT #37094E** (Shown)  
Screw Type



Product	A	B	Range
37092D	18	27	30 - 42
37093D	18	33	36 - 48
37093E	24	33	36 - 54
37094E	24	39	42 - 60
37095E	30	39	41 - 64
37100E	24	50	54 - 72
37100F	30	50	54 - 78

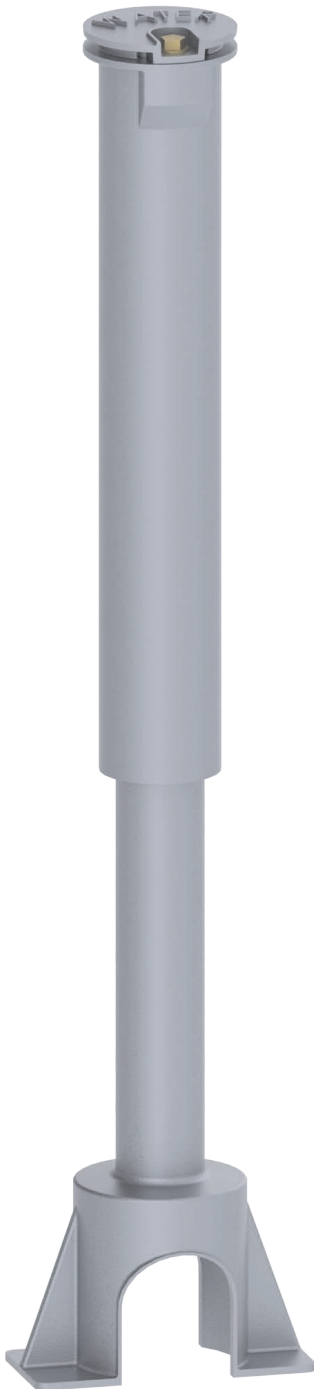


ASTM  
A48

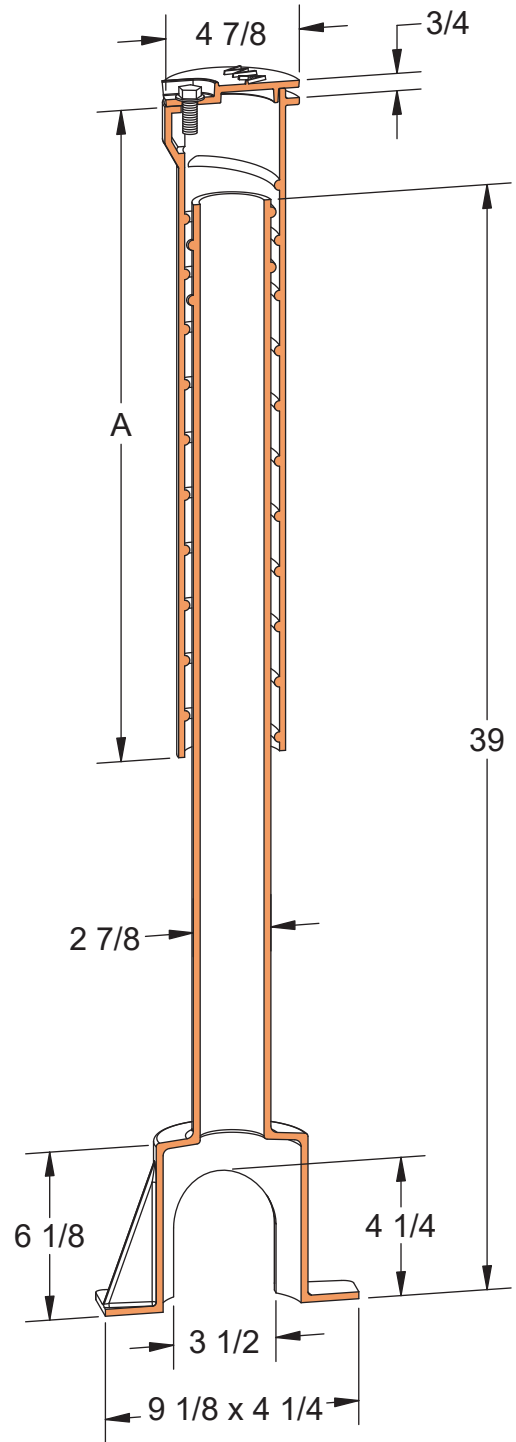


Gray Iron  
Class 30B

**PRODUCT #38094E** (Shown)  
Screw Type with Large Base



Product	A	Range
38093E	18	36 - 54
38094E	24	42 - 60
38095E	30	41 - 64



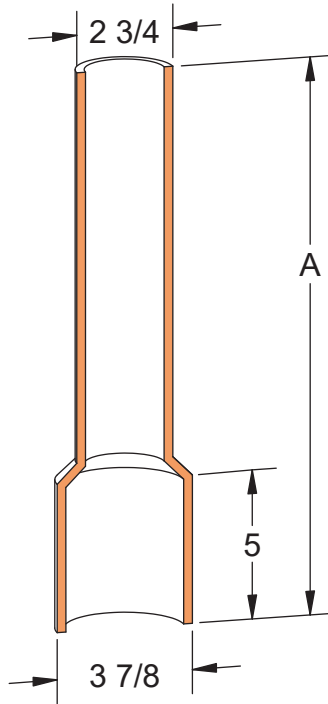
ASTM  
A48



Gray Iron  
Class 30B

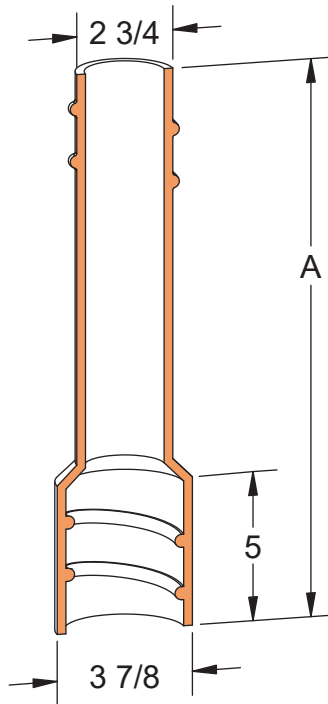
EXTENSIONS

Slip Type



Product	A
36151	9
36152	16
36153	28

Screw Type



Product	A
37151	9
37152	16
37153	28
37154	30

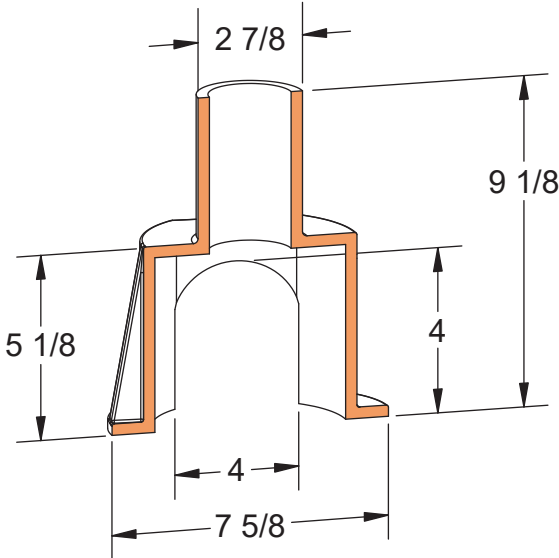
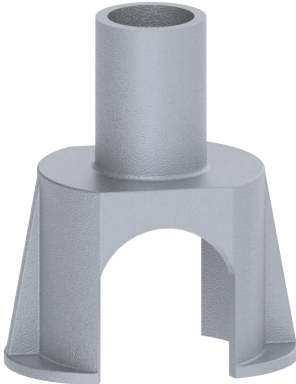


ASTM  
A48



Gray Iron  
Class 30B

PRODUCT #36500  
Enlarged Base

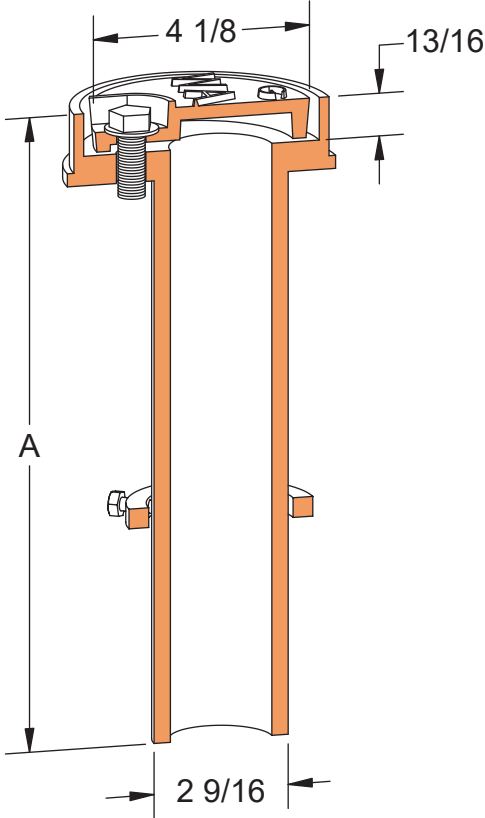


ASTM  
A48



Gray Iron  
Class 30B

**PRODUCT #37012** (Shown)  
Top Riser with Lid and Galvanized Lock Ring



Product	A
37012	12
37018	18
37024	24



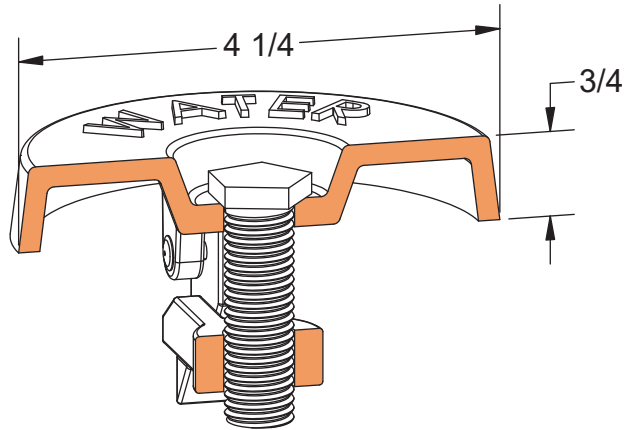
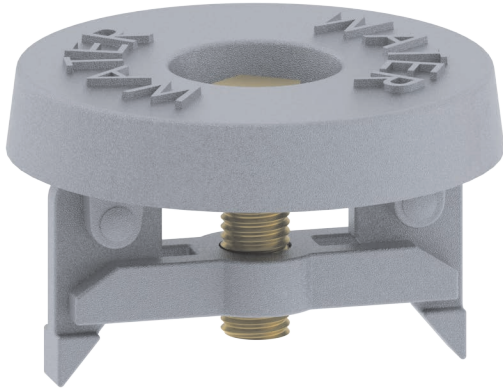
ASTM  
A48



Gray Iron  
Class 30B

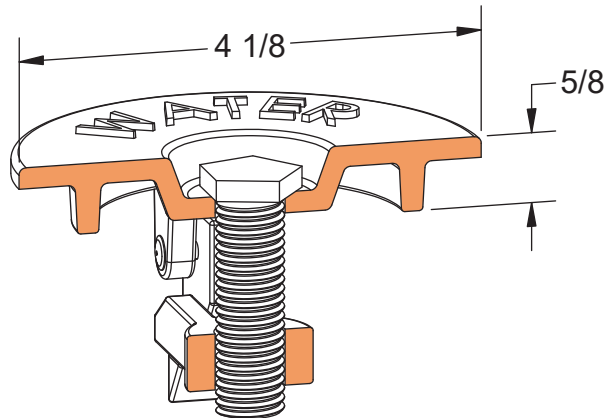
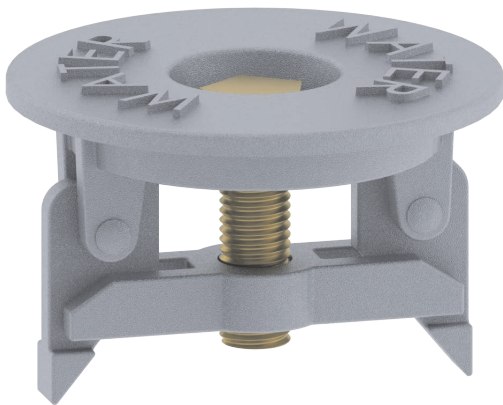
**PRODUCT #36700**

Outer Repair Lid



**PRODUCT #36701**

Inner Repair Lid



ASTM  
A48

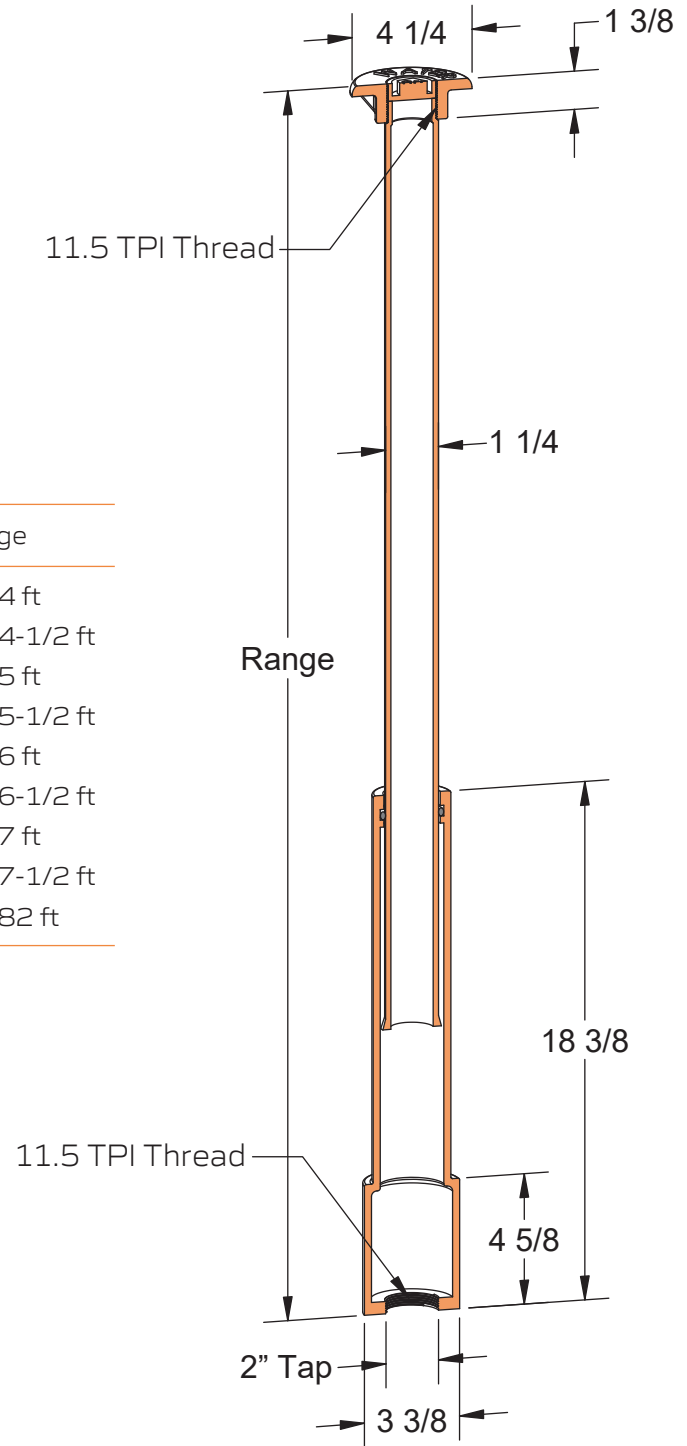


Gray Iron  
Class 30B

**PRODUCT #46084** (Shown)  
1-1/4" Minneapolis Box



Product	Range
46048	3 ft - 4 ft
46054	3-1/2 ft - 4-1/2 ft
46060	4 ft - 5 ft
46066	4-1/2 ft - 5-1/2 ft
46072	5 ft - 6 ft
46078	5-1/2 ft - 6-1/2 ft
46084	6 ft - 7 ft
46090	6-1/2 ft - 7-1/2 ft
46096	62 ft - 82 ft



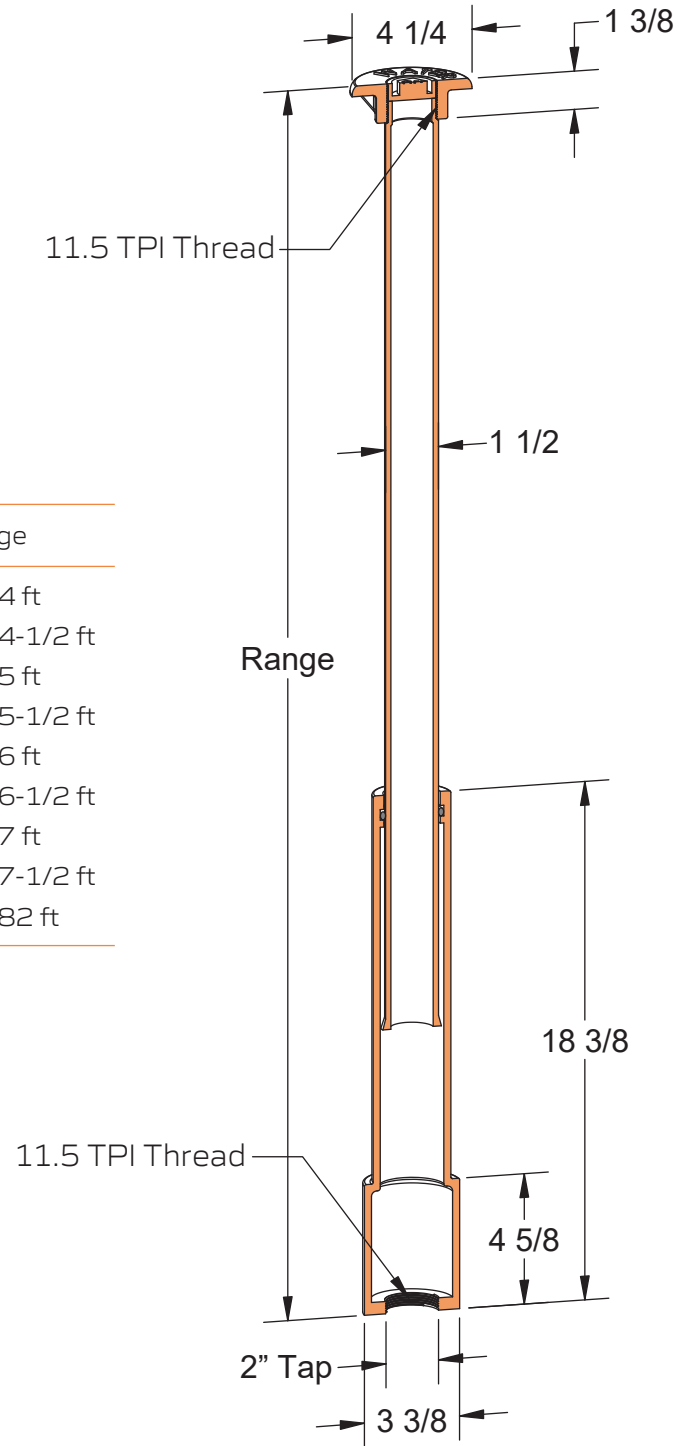
Lid & Base      Upper Pipe

<b>A48</b>	<b>30B</b>	<b>A36</b>	<b>S</b>
ASTM A48	Gray Iron Class 30B	ASTM A36	Steel

**PRODUCT #47084** (Shown)  
1-1/2" Minneapolis Box



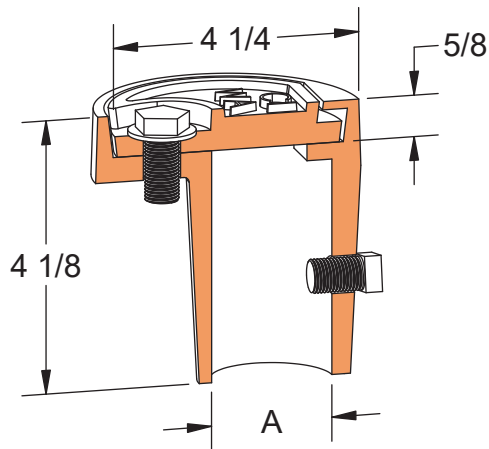
Product	Range
47048	3 ft - 4 ft
47054	3-1/2 ft - 4-1/2 ft
47060	4 ft - 5 ft
47066	4-1/2 ft - 5-1/2 ft
47072	5 ft - 6 ft
47078	5-1/2 ft - 6-1/2 ft
47084	6 ft - 7 ft
47090	6-1/2 ft - 7-1/2 ft
47096	62 ft - 82 ft



Lid & Base      Upper Pipe

<b>A48</b>	<b>30B</b>	<b>A36</b>	<b>S</b>
ASTM A48	Gray Iron Class 30B	ASTM A36	Steel

**PRODUCT #4W200** *(Shown)*  
Western Repair Lid



Product	A
4W125	1-1/4
4W150	1-1/2
4W200	2



ASTM  
A48



Gray Iron  
Class 30B

**PRODUCT #41084** (Shown)  
1" Erie Box with Plug Lid



Product	Range
41048	3 ft - 4 ft
41054	3-1/2 ft - 4-1/2 ft
41060	4 ft - 5 ft
41066	4-1/2 ft - 5-1/2 ft
41072	5 ft - 6 ft
41078	5-1/2 ft - 6-1/2 ft
41084	6 ft - 7 ft
41090	6-1/2 ft - 7-1/2 ft
41096	7 ft - 8 ft

**Available Markings**

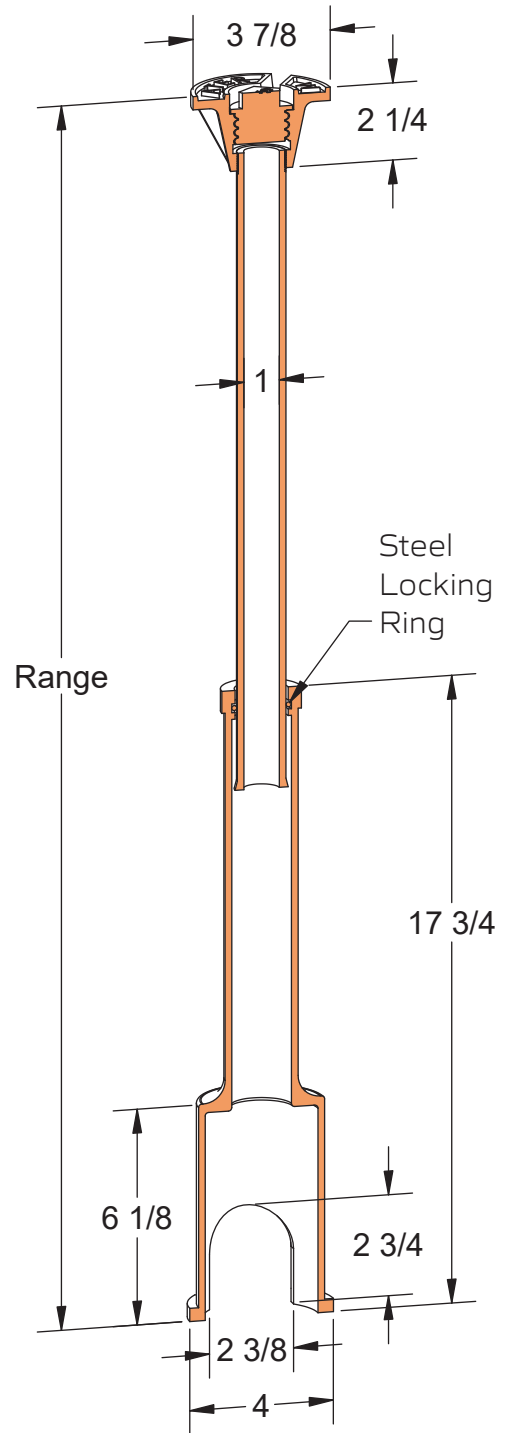
Sewer  
Water

**Options**

1-1/4" and 1-1/2" Pipe also available

**Notes**

Suitable with:  
1-1/4", 1-1/2" & 2" Curb Stops



Lid & Base

Upper Pipe



ASTM  
A48



Gray Iron  
Class 30B



ASTM  
A36



Steel

**PRODUCT #42084** (Shown)  
1" Erie Box with 2 Hole Lid



Product	Range
42048	3 ft - 4 ft
42054	3-1/2 ft - 4-1/2 ft
42060	4 ft - 5 ft
42066	4-1/2 ft - 5-1/2 ft
42072	5 ft - 6 ft
42078	5-1/2 ft - 6-1/2 ft
42084	6 ft - 7 ft
42090	6-1/2 ft - 7-1/2 ft
42096	7 ft - 8 ft

**Available Markings**

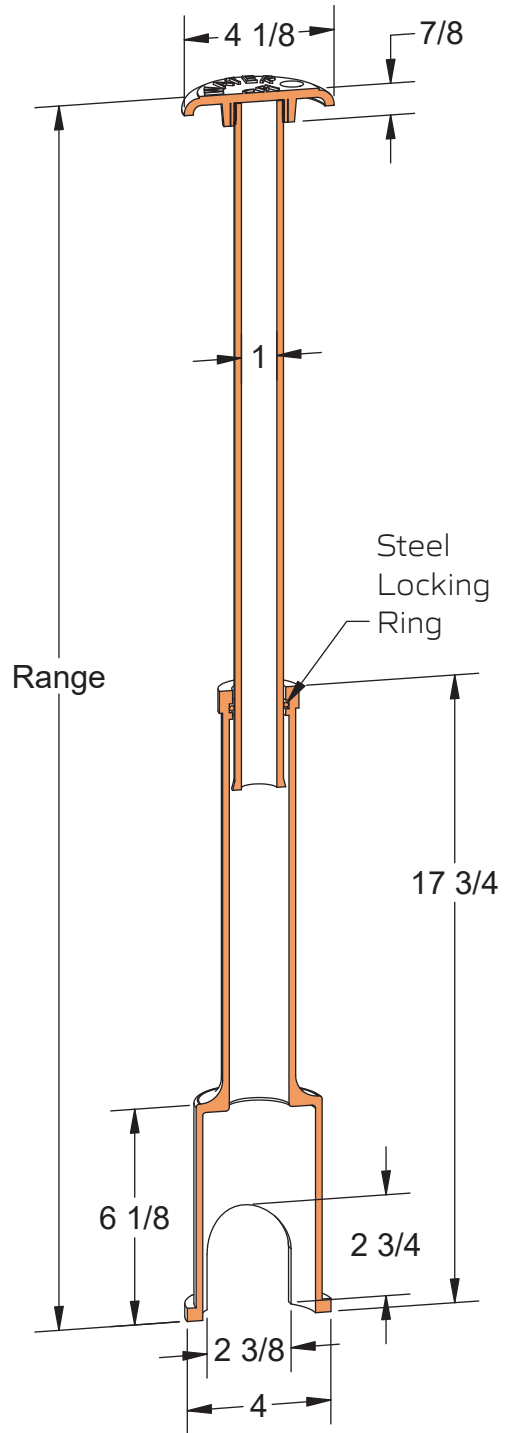
Sewer  
Water

**Options**

1-1/4" and 1-1/2" Pipe also available

**Notes**

Suitable with:  
1-1/4", 1-1/2" & 2" Curb Stops



Lid & Base

Upper Pipe



ASTM  
A48



Gray Iron  
Class 30B



ASTM  
A36



Steel

**PRODUCT #43084** (Shown)  
Erie Box with Plug Lid & Large Base



Product	Range
43048	3 ft - 4 ft
43054	3-1/2 ft - 4-1/2 ft
43060	4 ft - 5 ft
43066	4-1/2 ft - 5-1/2 ft
43072	5 ft - 6 ft
43078	5-1/2 ft - 6-1/2 ft
43084	6 ft - 7 ft
43090	6-1/2 ft - 7-1/2 ft
43096	7 ft - 8 ft

**Available Markings**

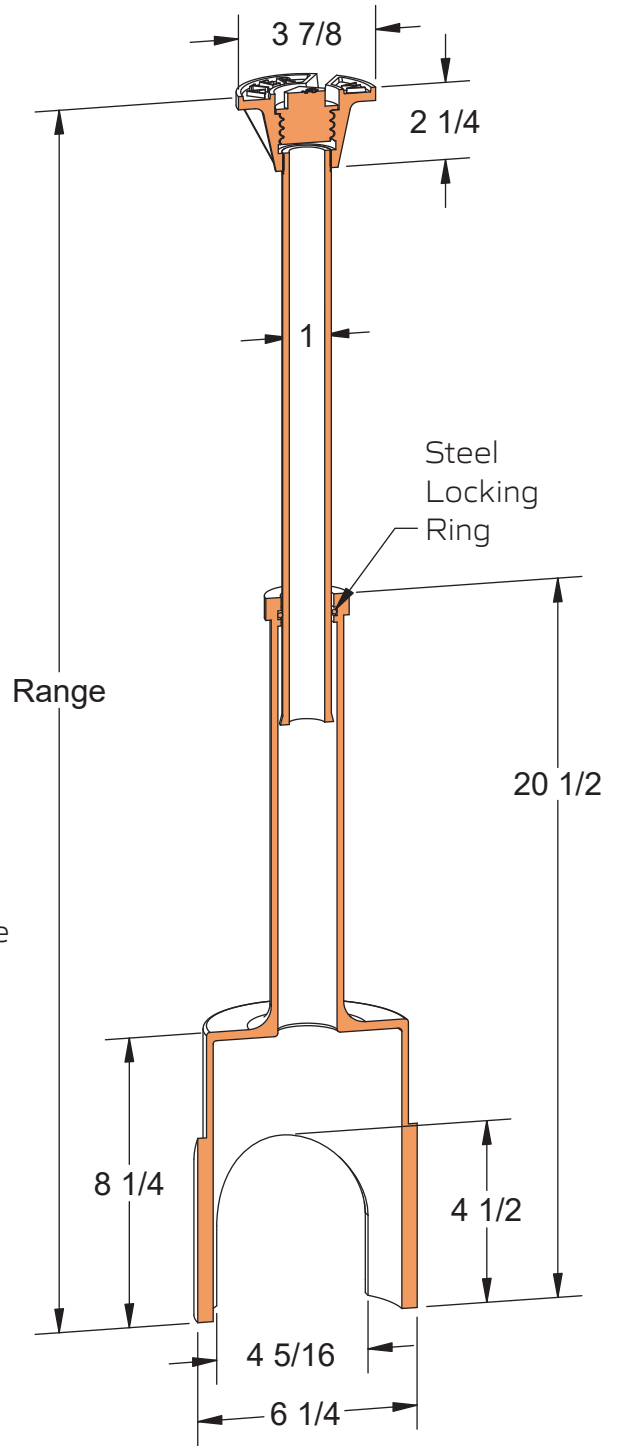
Sewer  
Water

**Options**

1-1/4" and 1-1/2" Pipe also available

**Notes**

Suitable with:  
1-1/4", 1-1/2" & 2" Curb Stops



Lid & Base

Upper Pipe



ASTM  
A48



Gray Iron  
Class 30B



ASTM  
A36



Steel

**PRODUCT #44084** (Shown)  
Erie Box with 2 Hole Lid & Large Base



Product	Range
44048	3 ft - 4 ft
44054	3-1/2 ft - 4-1/2 ft
44060	4 ft - 5 ft
44066	4-1/2 ft - 5-1/2 ft
44072	5 ft - 6 ft
44078	5-1/2 ft - 6-1/2 ft
44084	6 ft - 7 ft
44090	6-1/2 ft - 7-1/2 ft
44096	7 ft - 8 ft

**Available Markings**

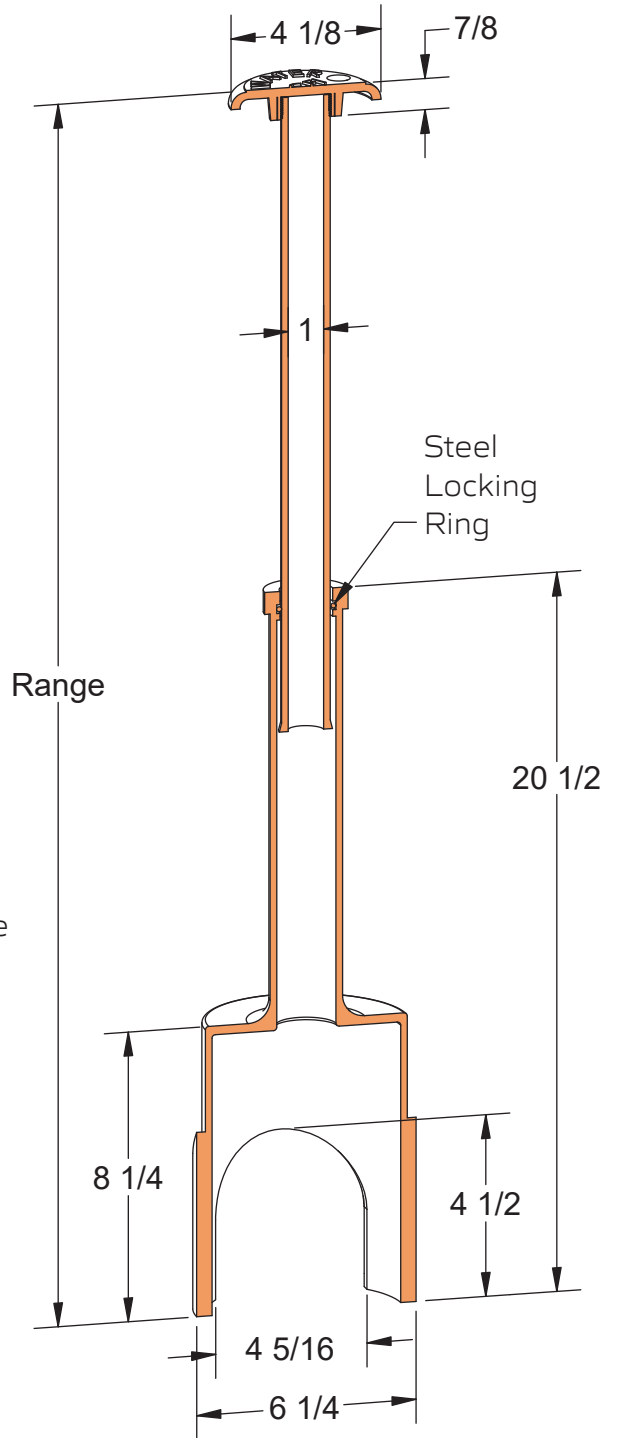
Sewer  
Water

**Options**

1-1/4" and 1-1/2" Pipe also available

**Notes**

Suitable with:  
1-1/4", 1-1/2" & 2" Curb Stops



Lid & Base

Upper Pipe



ASTM  
A48



Gray Iron  
Class 30B

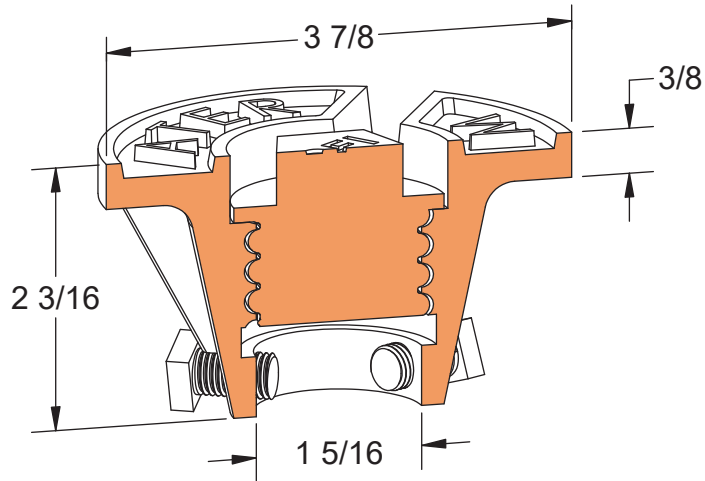
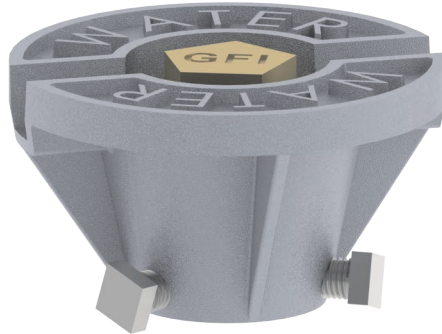


ASTM  
A36



Steel

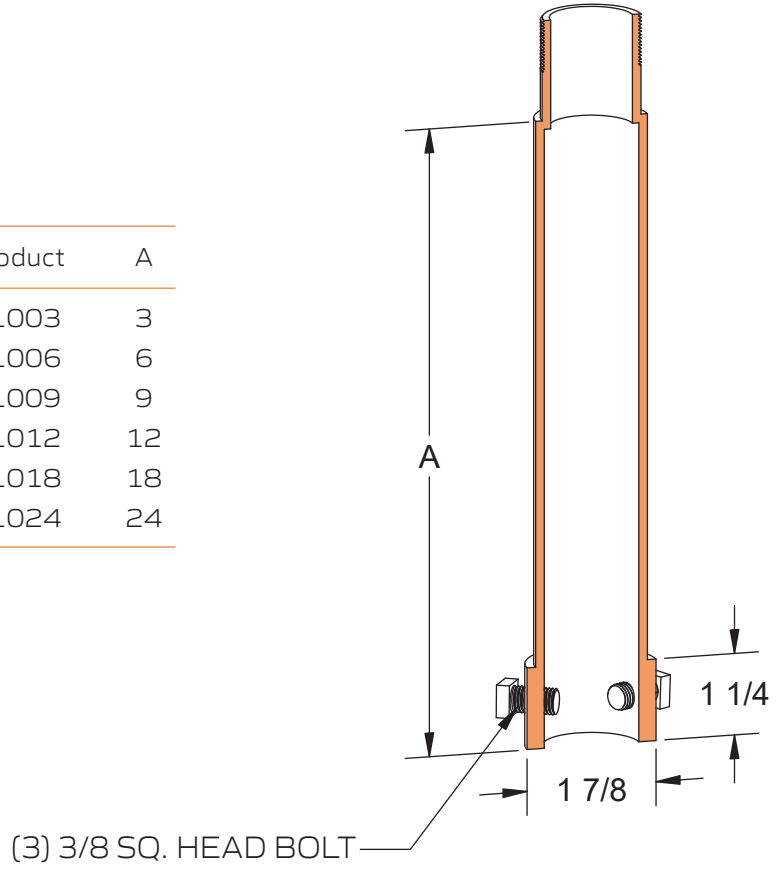
**PRODUCT #41000**  
Erie Box Repair Lid



**PRODUCT #41012** *(Shown)*  
Erie Box Extensions



Product	A
41003	3
41006	6
41009	9
41012	12
41018	18
41024	24

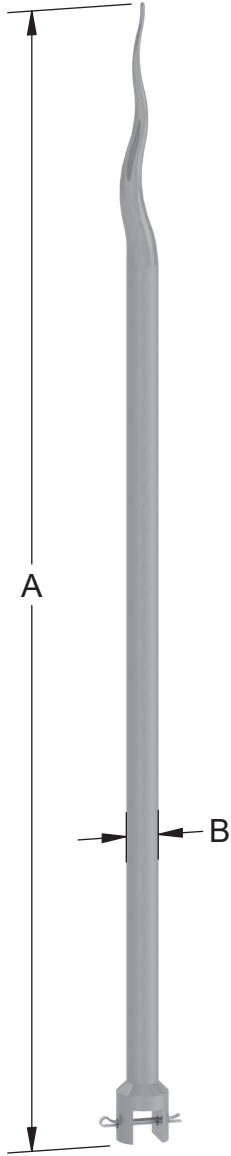


**Notes**

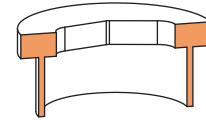
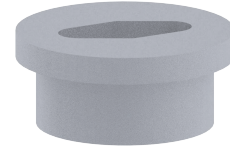
Suitable with 1-1/4", 1-1/2" & 2" Curb Stops

6" Extension available for 1-1/4" Pipe

**PRODUCT #49030** *(Shown)*  
Stationary Rods



Centering Ring



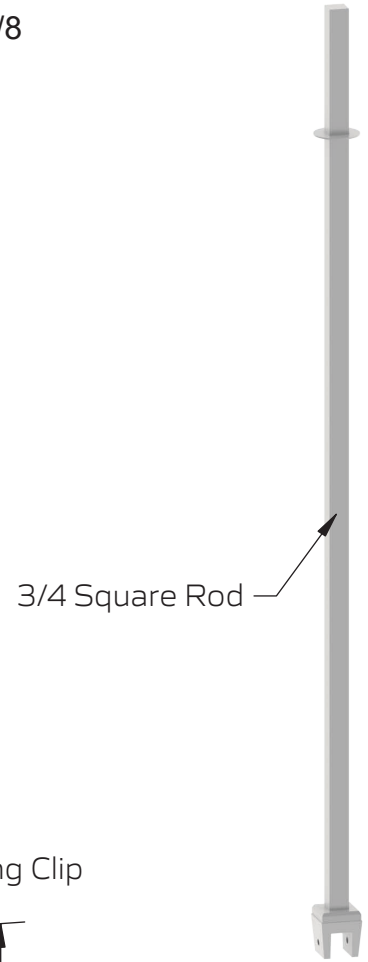
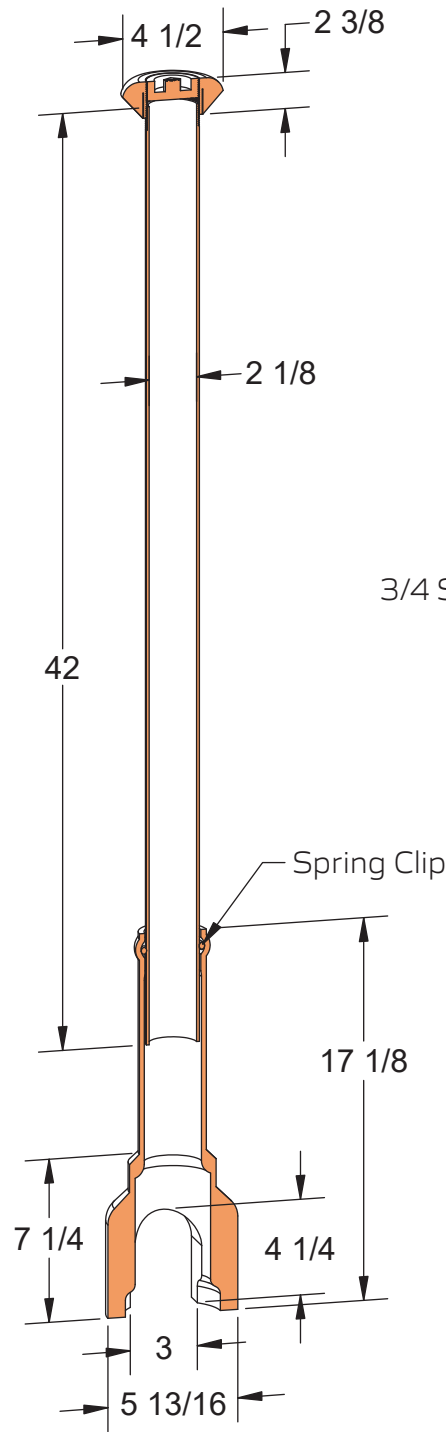
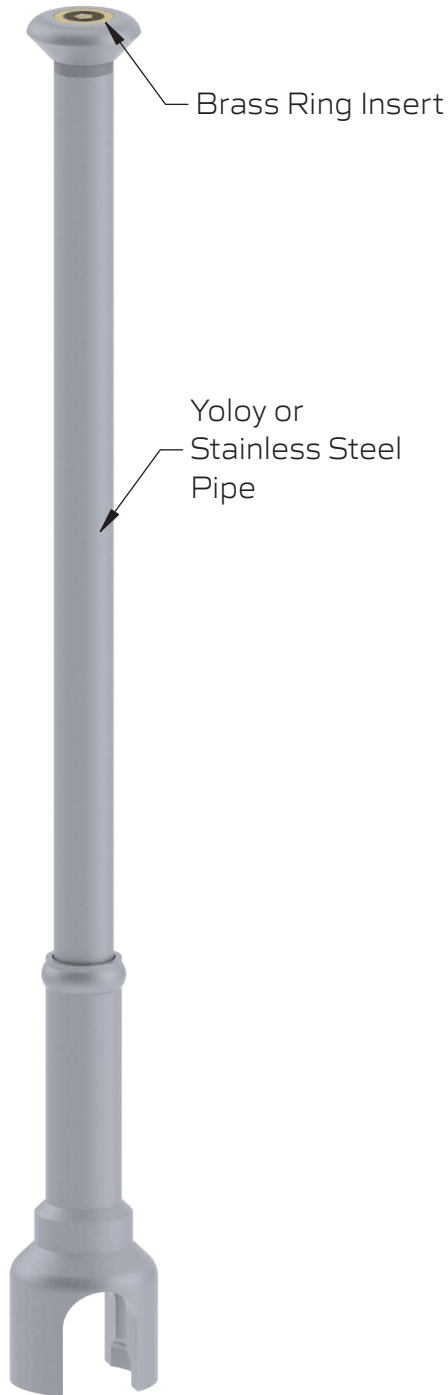
Mild Steel	A	B
49018	18	1/2
49024	24	1/2
49030	30	1/2
49033	33	1/2
49036	36	1/2
49042	42	1/2
49048	48	1/2
49054	54	1/2
49060	60	1/2
49066	66	1/2
49072	72	1/2
49078	78	1/2

Stainless Steel	A	B
49S24	24	1/2
49S30	30	1/2
49S36	36	1/2
49S42	42	1/2
49S48	48	1/2

Stainless Steel	A	B
49T24	24	5/8
49T30	30	5/8
49T36	36	5/8
49T42	42	5/8
49T48	48	5/8

PRODUCT #AKRON

Akron Curb Box



Lid & Base

Upper Pipe



ASTM  
A48



Gray Iron  
Class 30B

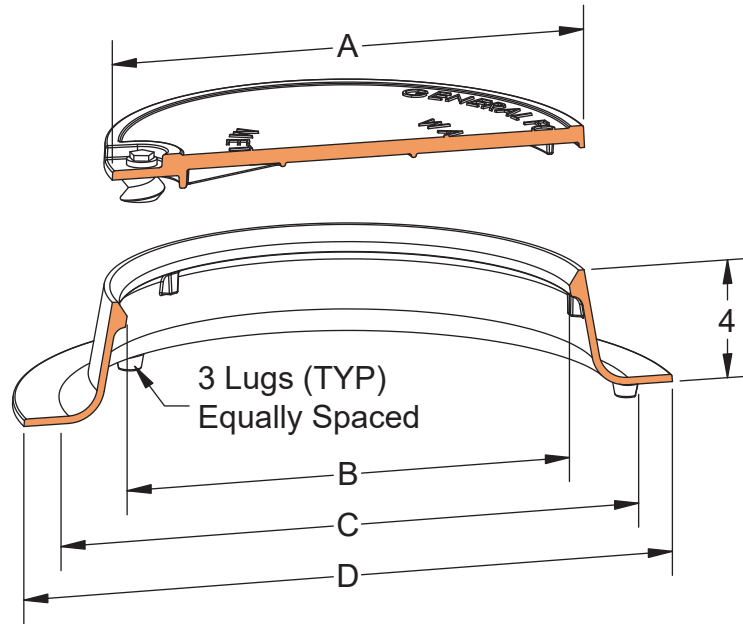


ASTM  
A36



Steel

**PRODUCT #5C52N** (Shown)  
C Style Frame & Lid - Solid



**Available Markings**  
Water Meter

Product	A	B	C	D	Tile Inner Dia.
5C32N	12-1/2	11-1/2	17-1/2	20-1/8	18
5C03N	12-1/2	11-1/2	19-1/2	22-1/8	20
5C04N	12-1/2	11-1/2	20-1/2	23	21
5C52N	16	15	17-1/2	20-1/8	18
5C53N	16	15	19-1/4	22	20

**Bolts**

Silicon Bronze. Pentagon Shaped Head.  
27/32" Standard Size, Please specify if 1-1/32" is required



Light Duty



ASTM A48

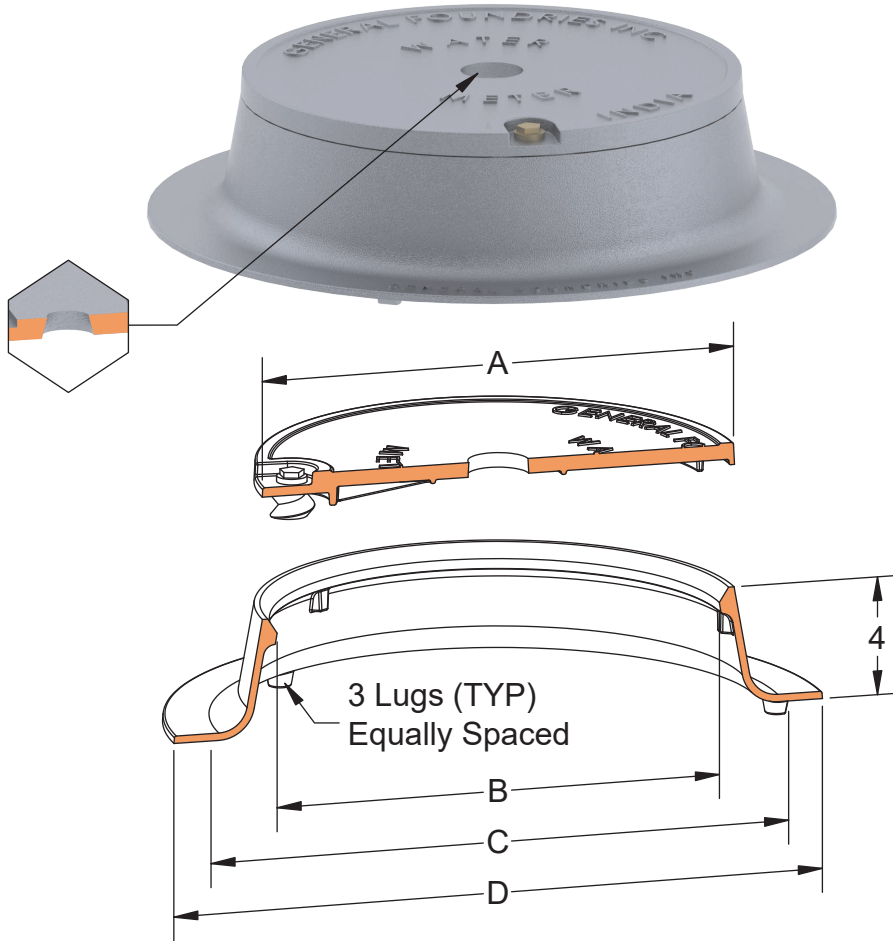


Gray Iron Class 35B



Risers Available

**PRODUCT #5C52T** (Shown)  
C Style Frame & Lid - Touch Read Hole



**Available Markings**  
Water Meter

Product	A	B	C	D	Tile Inner Dia.
5C32T	12-1/2	11-1/2	17-1/2	20-1/8	18
5C03T	12-1/2	11-1/2	19-1/2	22-1/8	20
5C04T	12-1/2	11-1/2	20-1/2	23	21
5C52T	16	15	17-1/2	20-1/8	18
5C53T	16	15	19-1/4	22	20

**Bolts**

Silicon Bronze. Pentagon Shaped Head.  
27/32" Standard Size, Please specify if 1-1/32" is required



Light Duty



ASTM A48

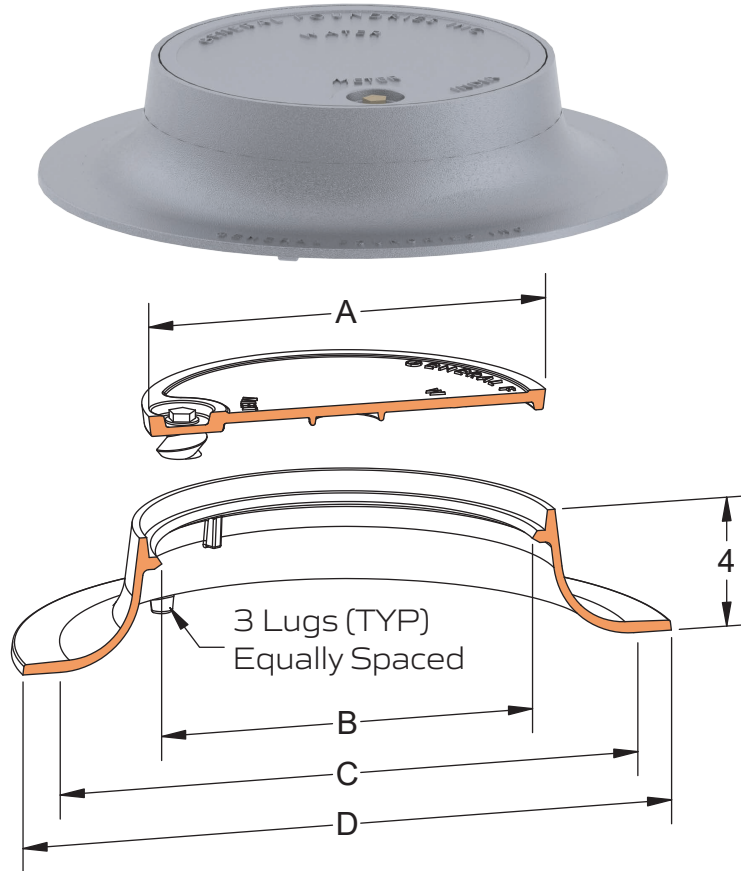


Gray Iron Class 35B



Risers Available

**PRODUCT #5A32N** (Shown)  
A Style Frame & Lid - Solid



**Available Markings**  
Water Meter

Product	A	B	C	D	Tile Inner Dia.
5A32N	12-1/2	11-1/2	17-5/8	20-1/8	18
5A03N	12-1/2	11-1/2	19-1/2	22	20
5A04N	12-1/2	11-1/2	20-5/8	23	21
5A52N	16	15	17-1/2	19-7/8	18
5A53N	16	15	19-5/8	22	20

**Bolts**

Silicon Bronze. Pentagon Shaped Head.  
27/32" Standard Size, Please specify if 1-1/32" is required

**Notes**

Heavy Duty option available for 5A04N



Light Duty



ASTM A48

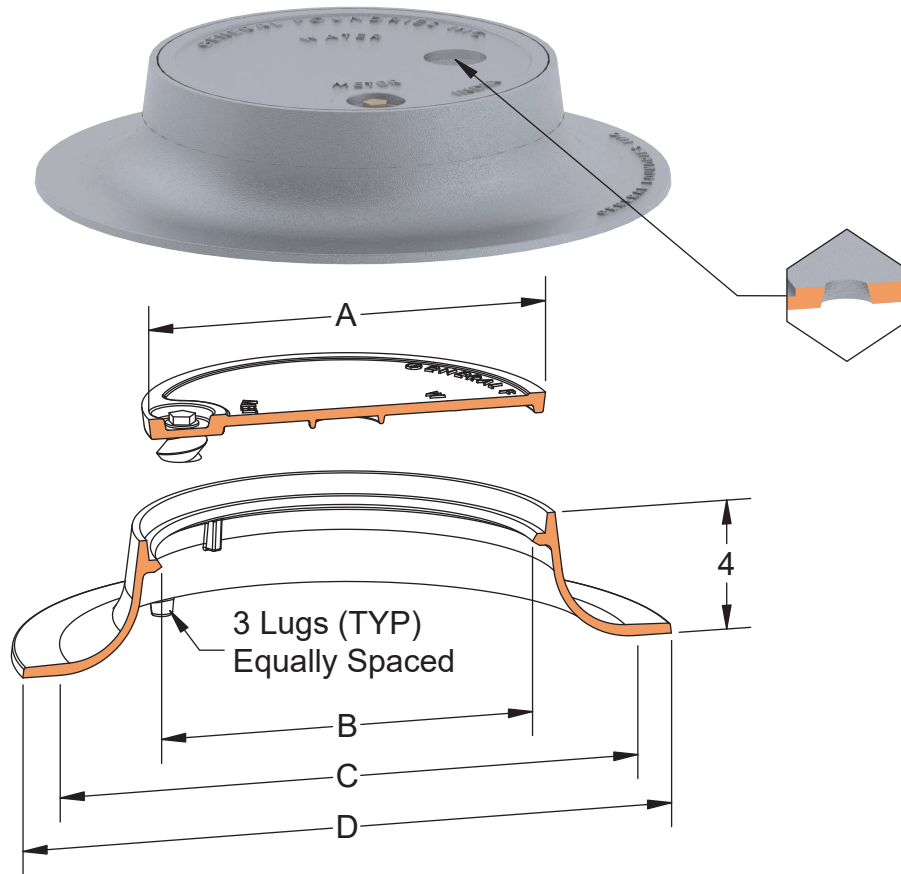


Gray Iron Class 35B



Risers Available

**PRODUCT #5A32T** (Shown)  
 A Style Frame & Lid - Touch Read Hole



**Available Markings**  
 Water Meter

Product	A	B	C	D	Tile Inner Dia.
5A32T	12-1/2	11-1/2	17-5/8	20-1/8	18
5A03T	12-1/2	11-1/2	19-1/2	22	20
5A04T	12-1/2	11-1/2	20-5/8	23	21
5A52T	16	15	17-1/2	19-7/8	18
5A53T	16	15	19-5/8	22	20

**Bolts**

Silicon Bronze. Pentagon Shaped Head.  
 27/32" Standard Size, Please specify if 1-1/32" is required

**Notes**

Heavy Duty option available for 5A04T



Light Duty



ASTM A48

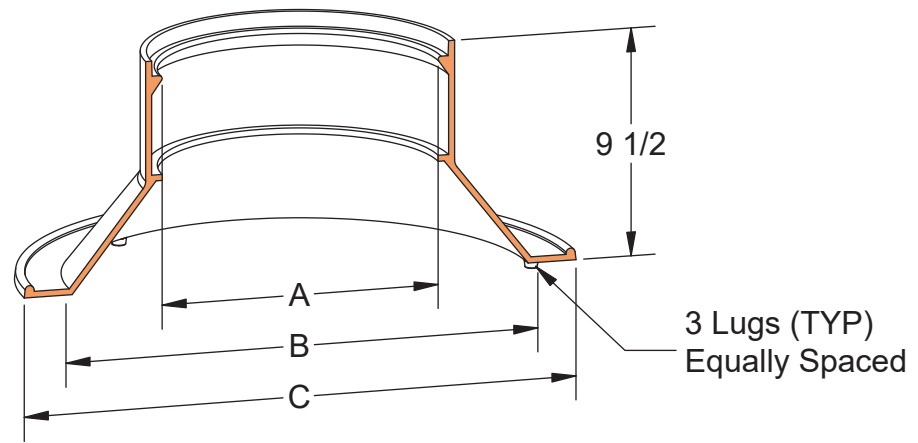
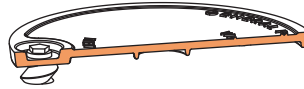


Gray Iron Class 35B



Risers Available

**PRODUCT #5W04N** (Shown)  
W Style Frame & Lid - Solid



**Available Markings**  
Water Meter

Product	A	B	C	Tile Inside Dia.
5W32N	11-1/2	17-1/4	20-1/4	18
5W03N	11-1/2	19-1/4	22-1/4	20
5W04N	11-1/2	20	23	21

**Bolts**

Silicon Bronze. Pentagon Shaped Head.  
27/32" Standard Size, Please specify if 1-1/32" is required



Light Duty



ASTM A48

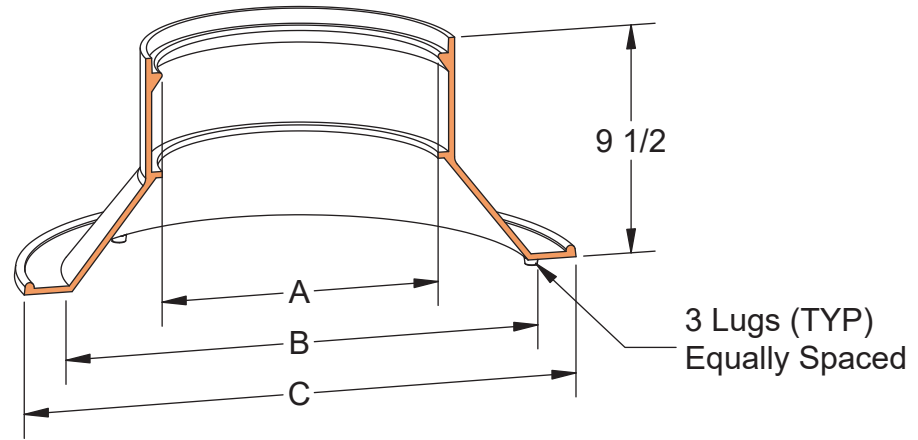
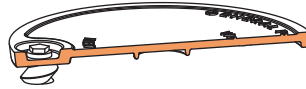


Gray Iron Class 35B



Risers Available

**PRODUCT #5W04T** (Shown)  
 W Style Frame & Lid - Touch Read Hole



**Available Markings**  
 Water Meter

Product	A	B	C	Tile Inside Dia.
5W32T	11-1/2	17-1/4	20-1/4	18
5W03T	11-1/2	19-1/4	22-1/4	20
5W04T	11-1/2	20	23	21

**Bolts**

Silicon Bronze. Pentagon Shaped Head.  
 27/32" Standard Size, Please specify if 1-1/32" is required



Light Duty



ASTM A48

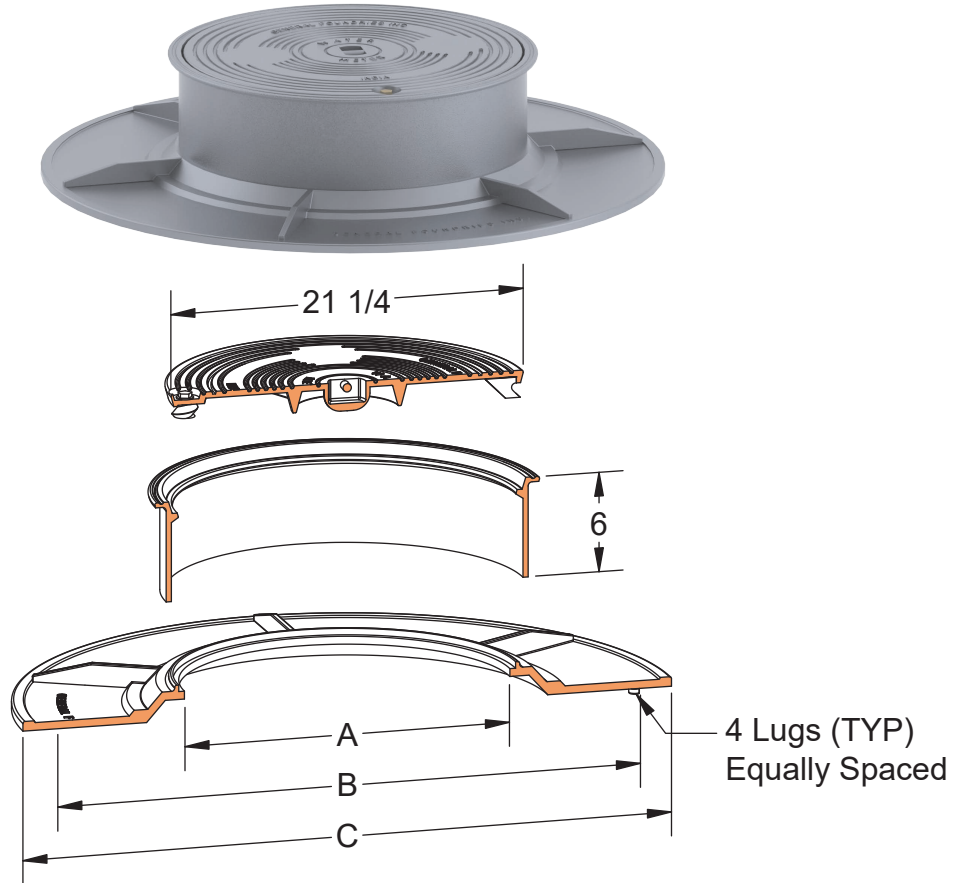


Gray Iron Class 35B



Risers Available

**PRODUCT #5M36N** (Shown)  
 Monitor Frame, Lid & Flange - Solid



**Available Markings**  
 Water Meter

Product	A	B	C	Tile Inner Dia.
5M24N	20	23-1/4	27	24
5M30N	20	29-1/4	33	30
5M36N	20	35-1/4	39	36

**Bolts**

Silicon Bronze. Pentagon Shaped Head.  
 27/32" Standard Size, Please specify if 1-1/32" is required

**Notes**

Frost Lid Available



Light Duty



ASTM A48



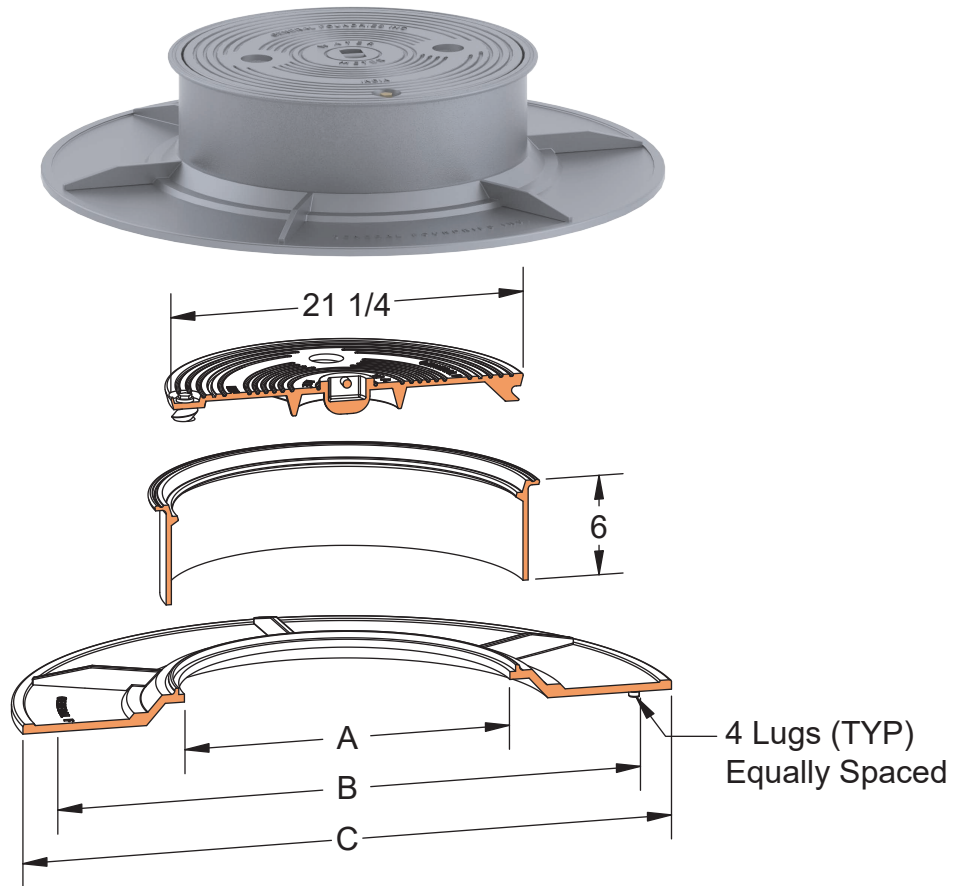
Gray Iron Class 35B



Risers Available

**PRODUCT #5M36T** (Shown)

Monitor Frame, Lid & Flange - 2 Touch Read Holes



**Available Markings**  
Water Meter

Product	A	B	C	Tile Inner Dia.
5M24T	20	23-1/4	27	24
5M30T	20	29-1/4	33	30
5M36T	20	35-1/4	39	36

**Bolts**

Silicon Bronze. Pentagon Shaped Head.  
27/32" Standard Size, Please specify if 1-1/32" is required

**Notes**

Frost Lid Available



Light Duty



ASTM A48

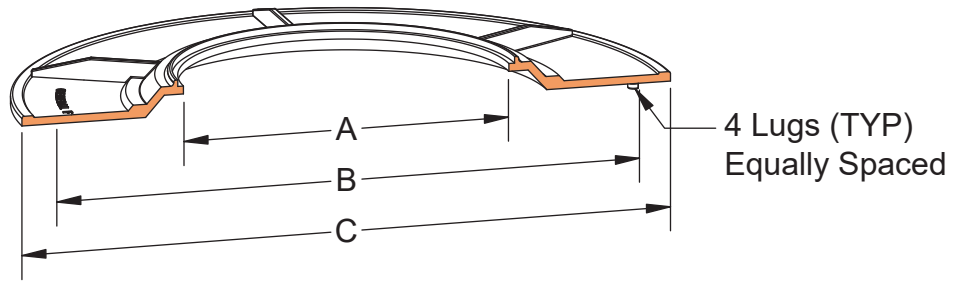


Gray Iron Class 35B



Risers Available

**PRODUCT #52036** *(Shown)*  
Monitor Flange



Product	A	B	C	Range	Tile Inside Dia.
52024	20	23-1/4	27	Adapts 20" Cover to 24" Tile	24
52030	20	29-1/4	33	Adapts 20" Cover to 30" Tile	30
52036	20	35-1/4	39	Adapts 20" Cover to 36" Tile	36

**Notes**

Suitable for A, C and W Style Frames

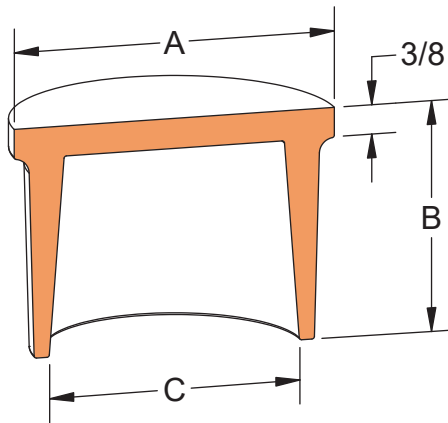


ASTM  
A48



Gray Iron  
Class 35B

**PRODUCT #BSC1.5** *(Shown)*  
Main Tube Caps



Product	A	B	C
BSC1.5	5-1/2	4	4
BSC3	4	2-7/8	3-1/8

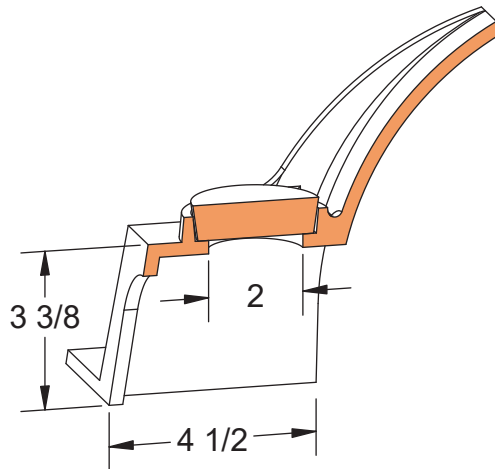
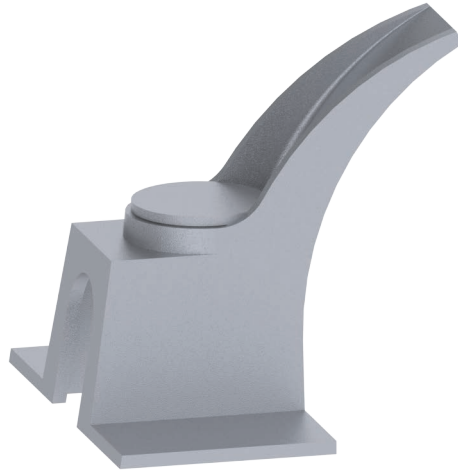


ASTM  
A48



Gray Iron  
Class 35B

PRODUCT #BSSHOE  
BWSC Shoe

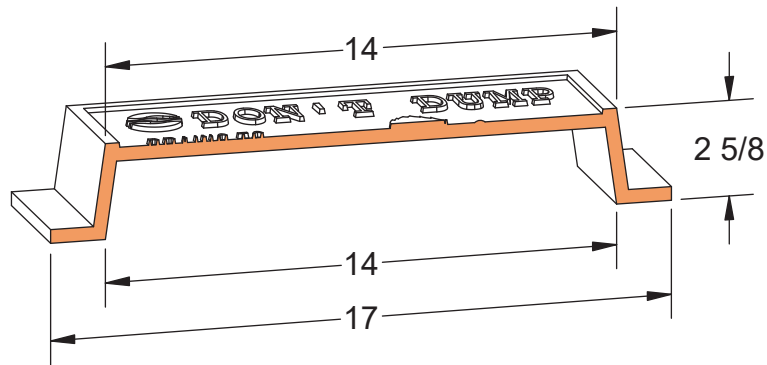
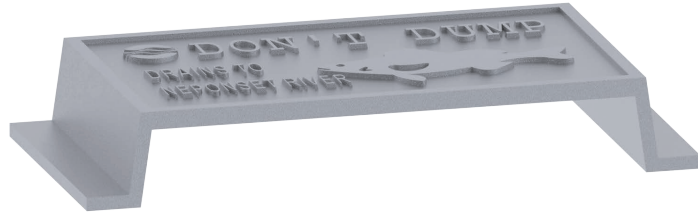


ASTM  
A48



Gray Iron  
Class 35B

**PRODUCT #BSSNR** *(Shown)*  
 Catch Basin Signs



Product	Marking
BSSBH	DRAINS TO BOSTON HARBOUR
BSSCR	DRAINS TO CHARLES RIVER
BSSNR	DRAINS TO NEPONSET RIVER
BSSAB	DRAINS TO ALEWIFE BROOK



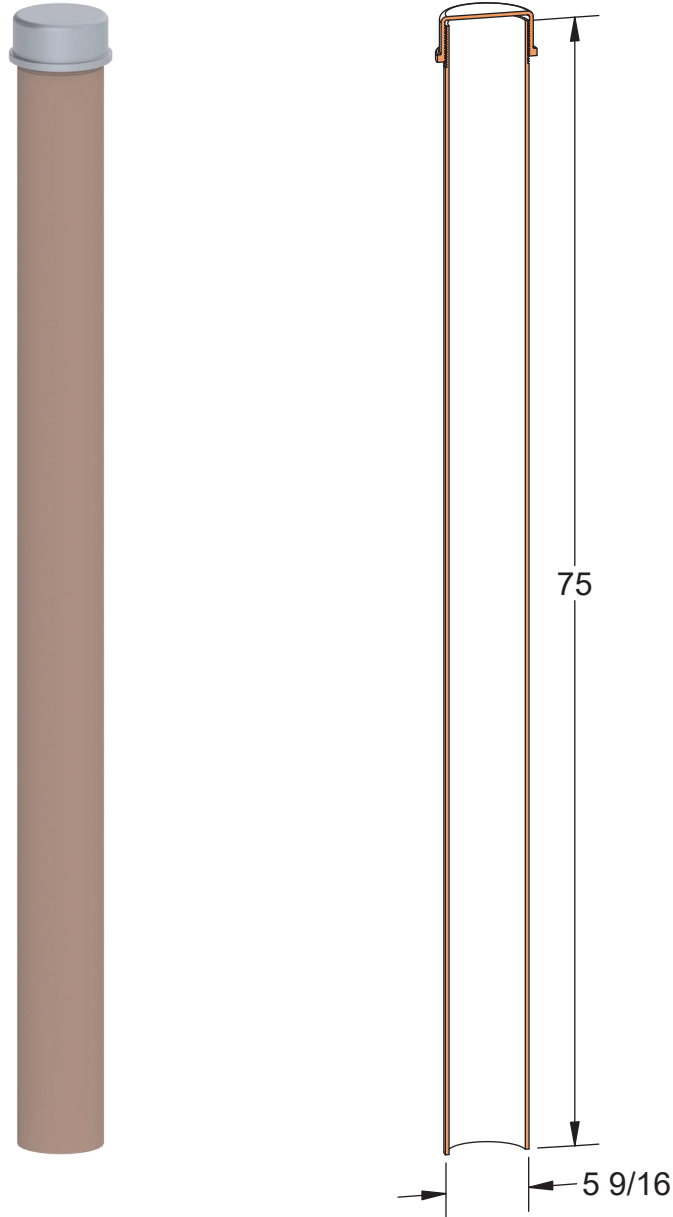
ASTM  
A48



Gray Iron  
Class 35B

**PRODUCT #99001**

Hydrant Fender With Standard Cap



**Notes**

Fender with Standard Cap conforms to NYC DEP DWG. 45161-A-Z  
Fender is Schedule 80 Steel Pipe, 5" Diameter, 75" Length, coated with Red Oxide Primer

Cap

Pipe



ASTM  
A48

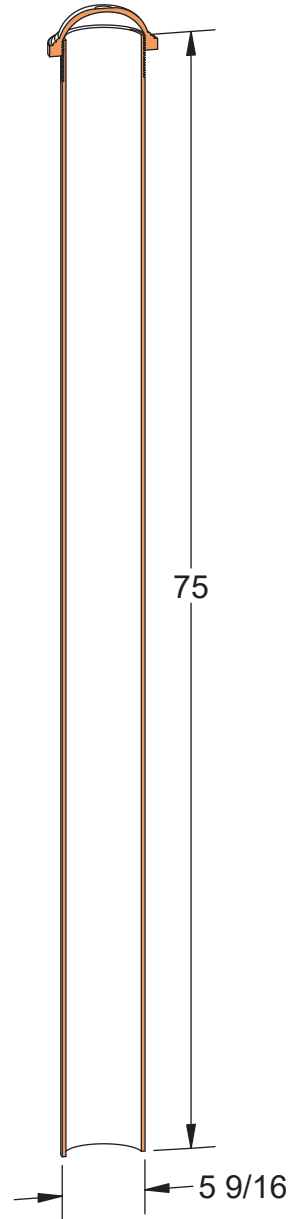
Gray Iron  
Class 30B

ASTM  
A36

Steel

**PRODUCT #99002**

Hydrant Fender With Historical Cap



**Notes**

Fender with Historical Cap conforms to NYC DEP DWG. 49500-Z  
Fender is Schedule 80 Steel Pipe, 5" Diameter, 75" Length, coated with Red Oxide Primer

Cap

Pipe



ASTM  
A48

Gray Iron  
Class 30B

ASTM  
A36

Steel