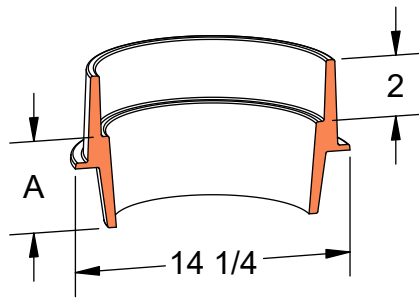


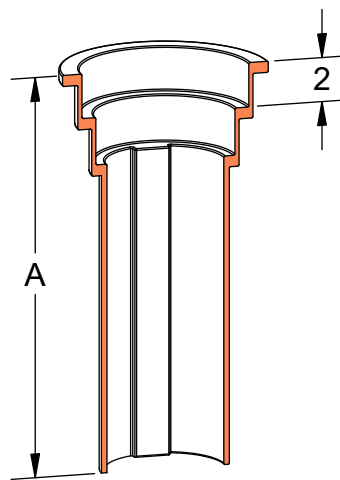
**VALVE BOX RISERS**

Fixed Risers



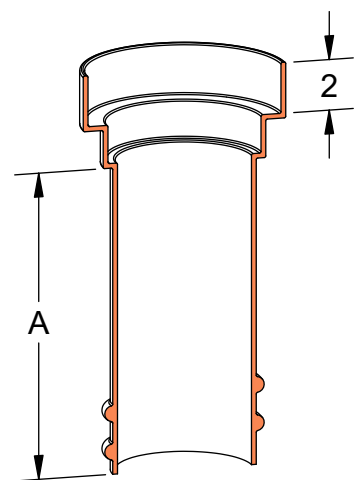
Product	A (Raise)
30210	1
30215	1-1/2
30220	2
30225	2-1/2
30230	3
30240	4
30260	6
30280	8
30300	10
30320	12

Adjustable Slip Type



Product	A (Raise)
30012	12
30018	18
30024	24

Adjustable Screw Type



Product	A (Raise)
32012	12
32018	18
32024	24



ASTM  
A48



Gray Iron  
Class 35B