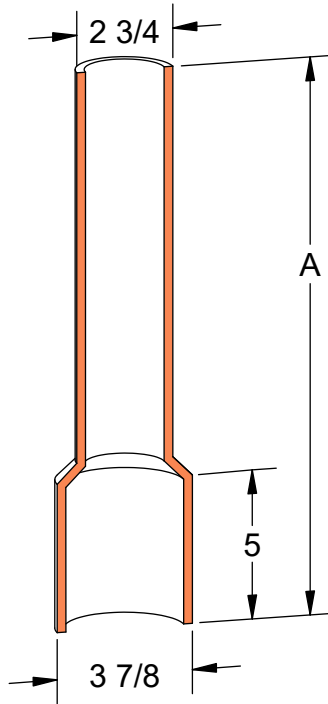


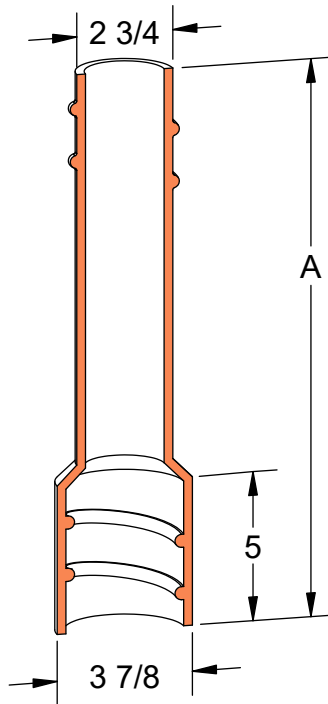
EXTENSIONS

Slip Type



Product	A
36151	9
36152	16
36153	28

Screw Type



Product	A
37151	9
37152	16
37153	28
37154	30



ASTM
A48



Gray Iron
Class 30B