

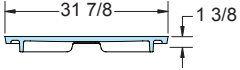
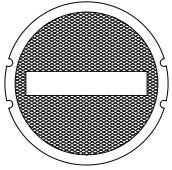


INDEX

MANHOLE COVER TYPES	1
NEW JERSEY	2
<i>MANHOLE RINGS AND COVERS</i>	3
<i>CATCH BASINS</i>	6
<i>CURB AND GUTTER</i>	10
<i>NJDOT INLETS SUMMARY</i>	12
NEW YORK	14
<i>MANHOLE RINGS AND COVERS</i>	15
<i>CATCH BASINS</i>	18
<i>CURB AND GUTTER</i>	20
NEW ENGLAND	24
<i>MANHOLE RINGS AND COVERS</i>	25
<i>CATCH BASINS</i>	28
VALVE BOXES	33
DETECTABLE WARNING PLATES	34
CROSS REFERENCES	35

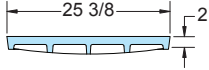
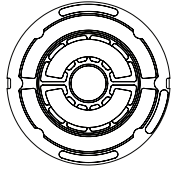
MANHOLE COVER TYPES

TYPE ER



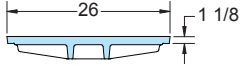
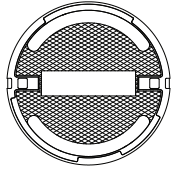
M306

TYPE FS



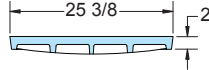
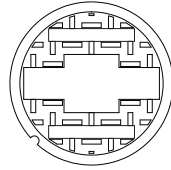
HEAVY DUTY

TYPE IC



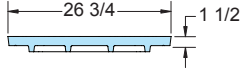
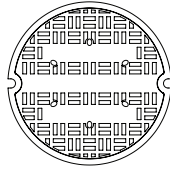
M306

TYPE IF



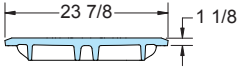
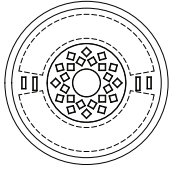
M306

TYPE II



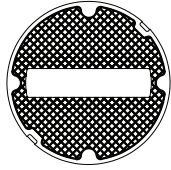
M306

TYPE IR



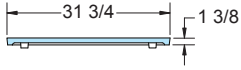
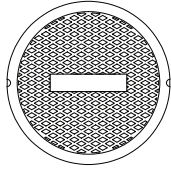
M306

TYPE IS



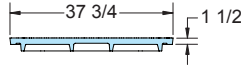
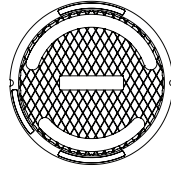
M306

TYPE KV



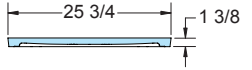
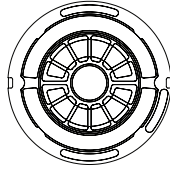
M306

TYPE Q



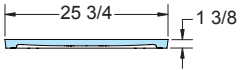
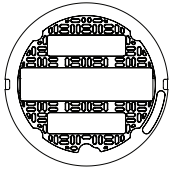
HEAVY DUTY

TYPE QY



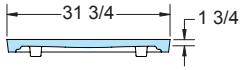
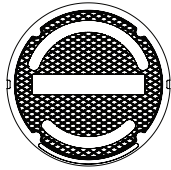
M306

TYPE QZ



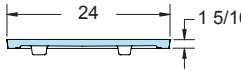
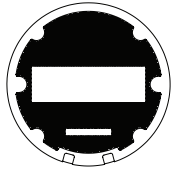
M306

TYPE RH



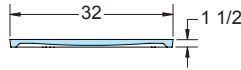
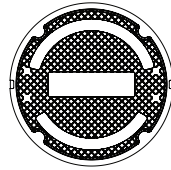
M306

TYPE RU



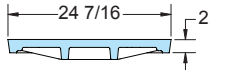
M306

TYPE RV



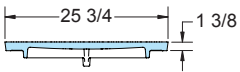
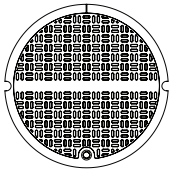
M306

TYPE RW



M306

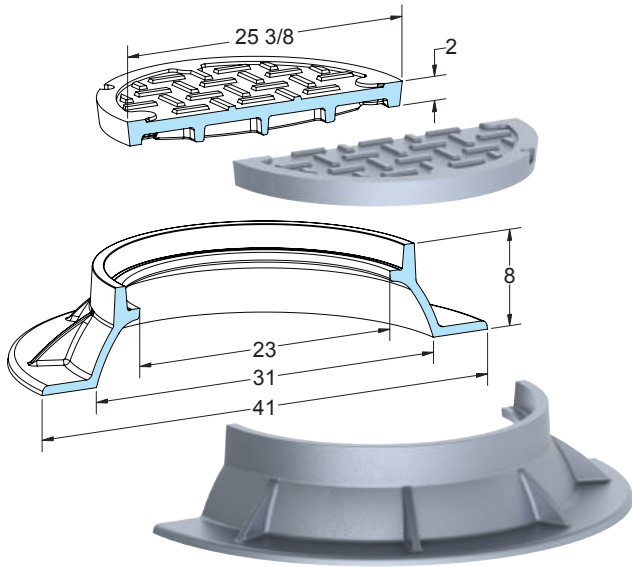
TYPE SR



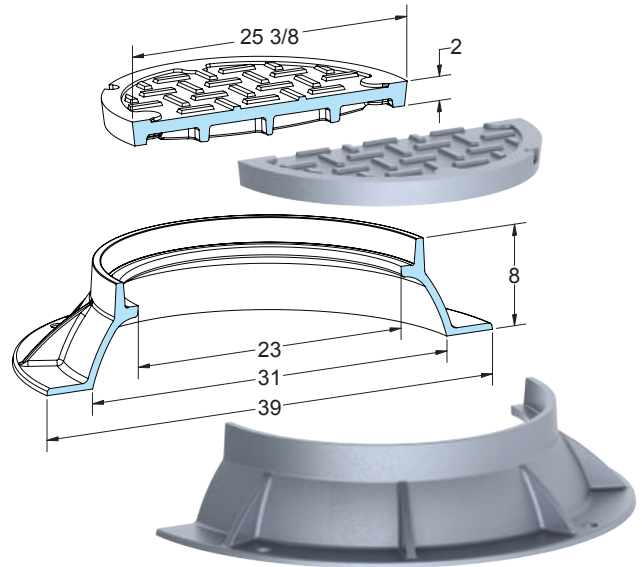
HEAVY DUTY

NEW JERSEY CASTINGS

USF 235 RING AND IF COVER



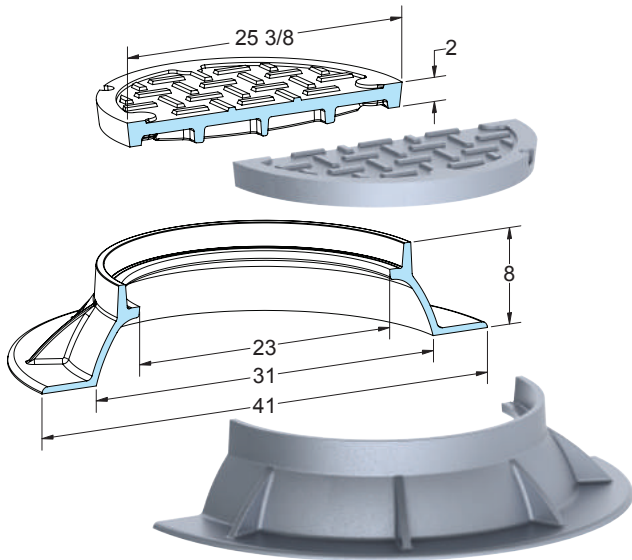
USF 238 RING AND IF COVER



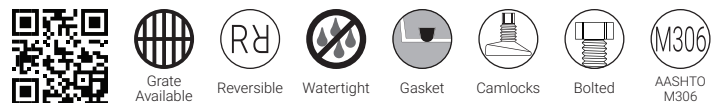
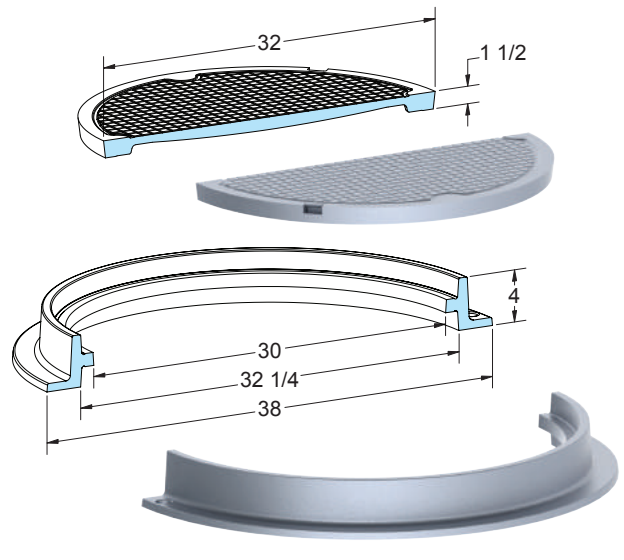
NEW JERSEY DOT



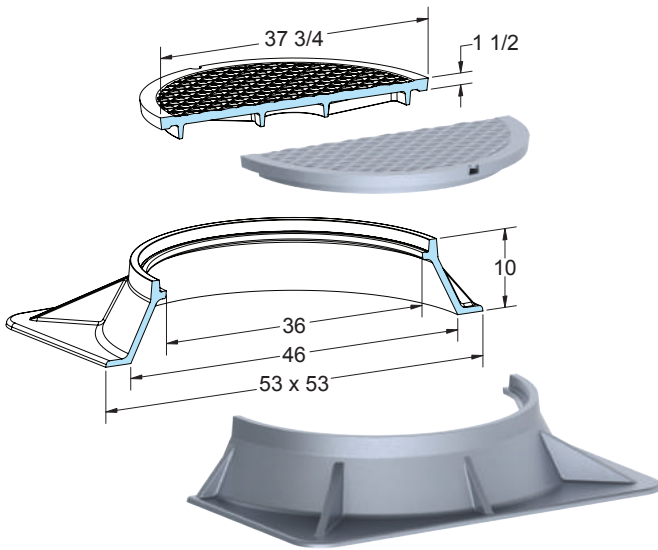
USF 248 RING AND IF COVER



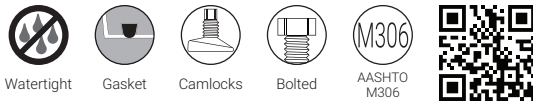
USF 273/1273 RING AND RV COVER



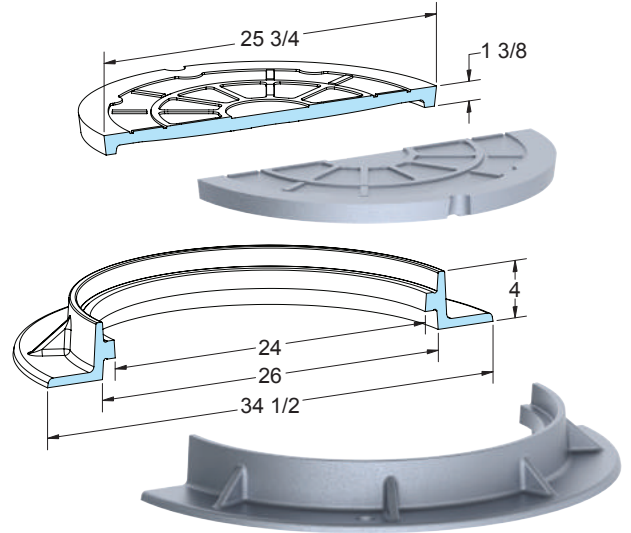
USF 300 RING AND Q COVER



NEW JERSEY CONVERSION MANHOLE



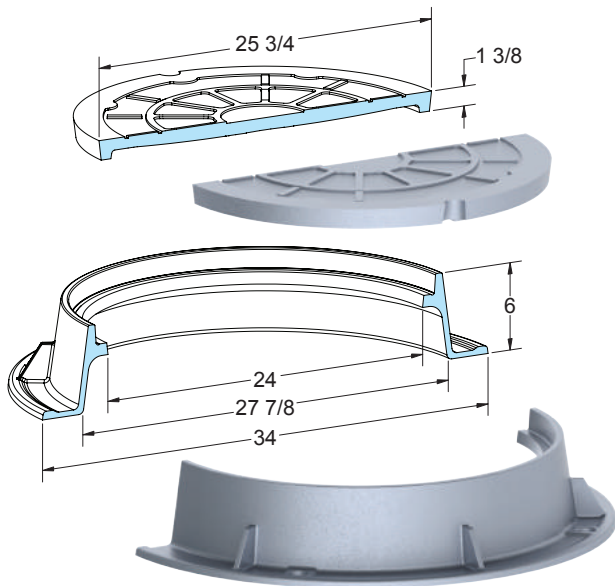
USF 344/1344 RING AND COVER SERIES



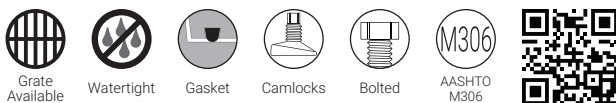
Cover Types: **QY, QZ**



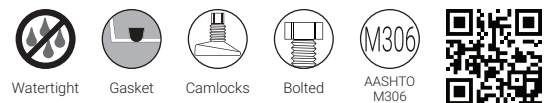
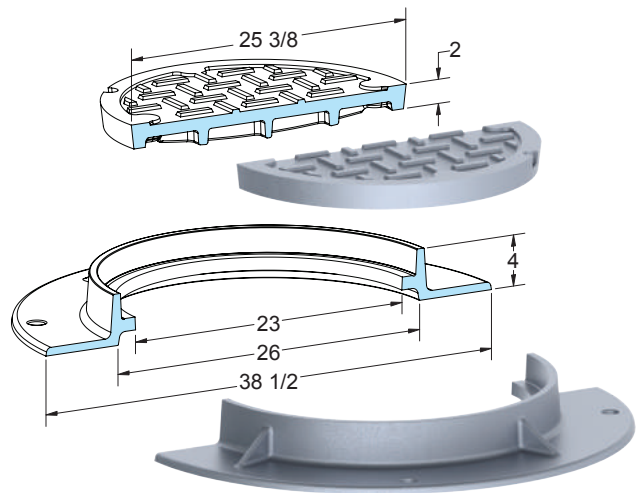
USF 346 RING AND COVER SERIES



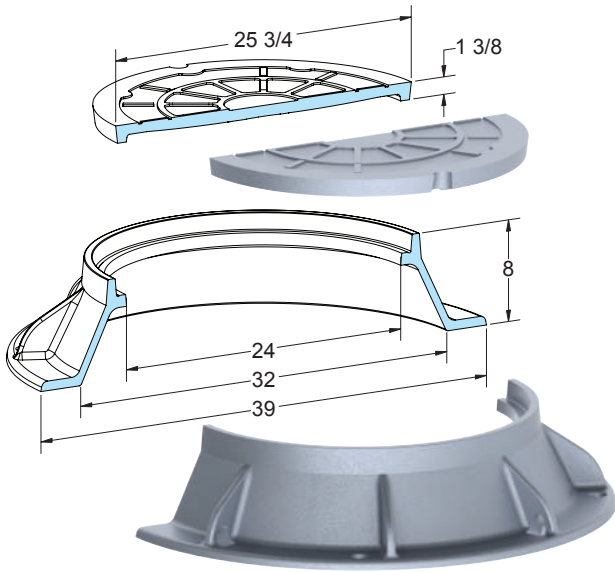
Cover Types: **QY, QZ, SR**



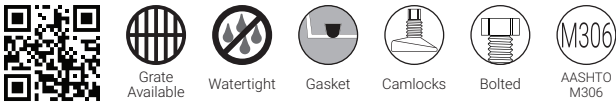
USF 384 RING AND IF COVER



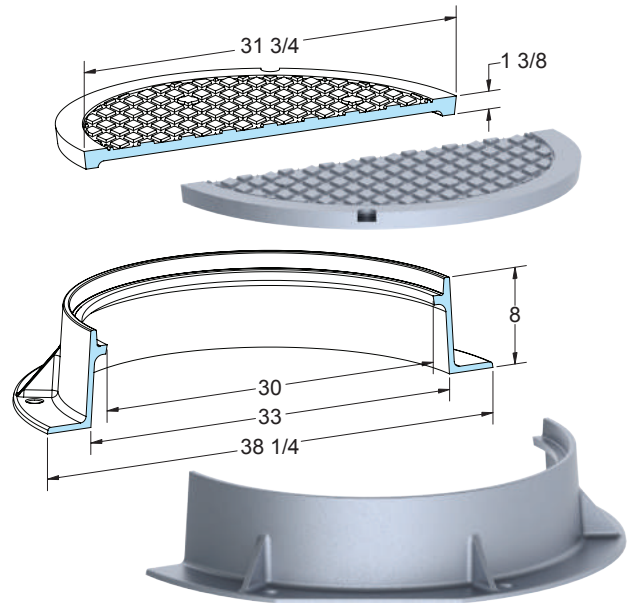
USF 398 RING AND COVER SERIES



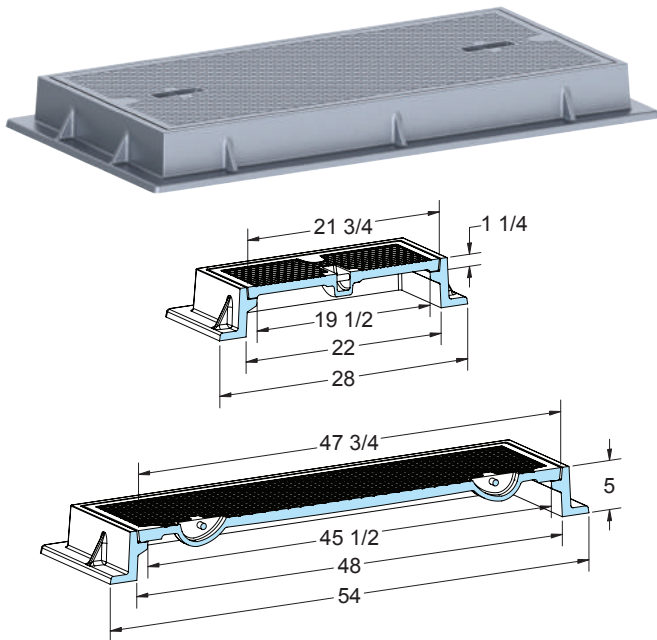
Cover Types: **QY, QZ, SR**



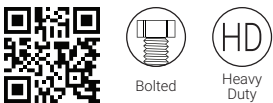
USF 692 RING AND KV COVER



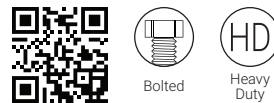
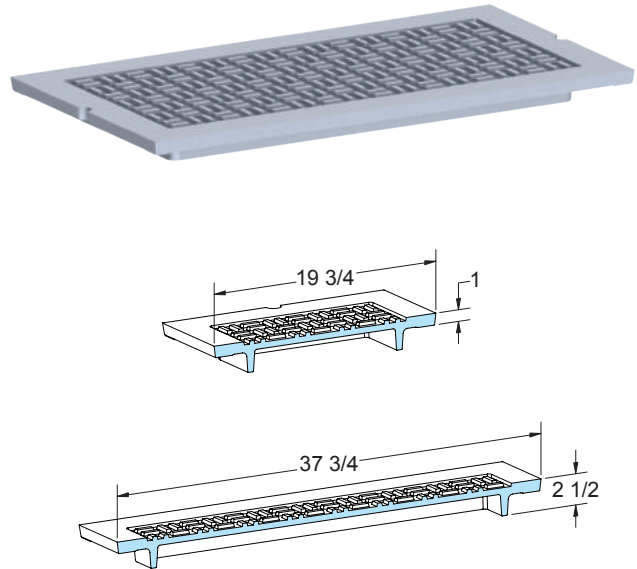
USF 4196 FRAME AND SG COVER



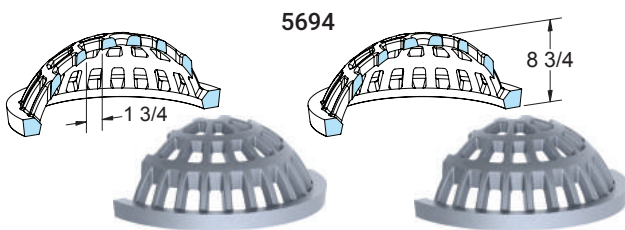
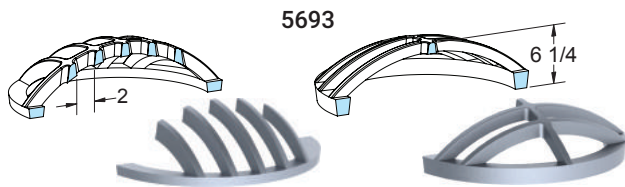
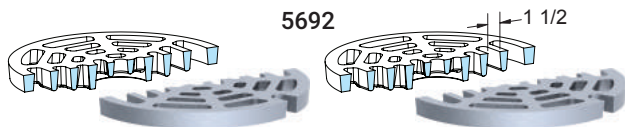
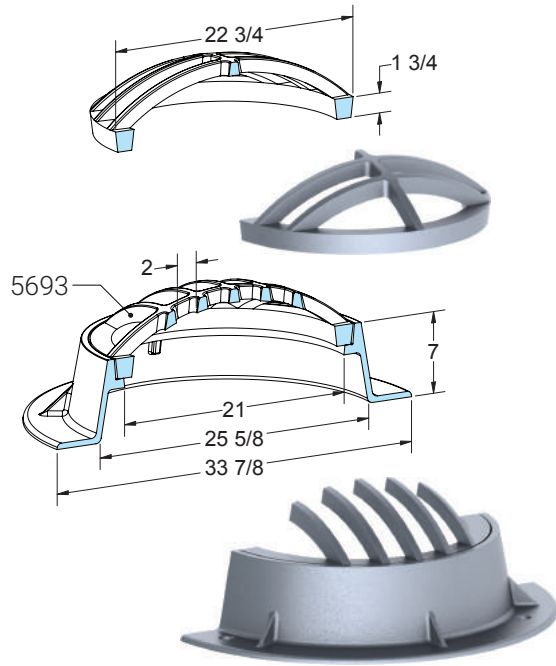
NEW JERSEY DOT



USF KG COVER



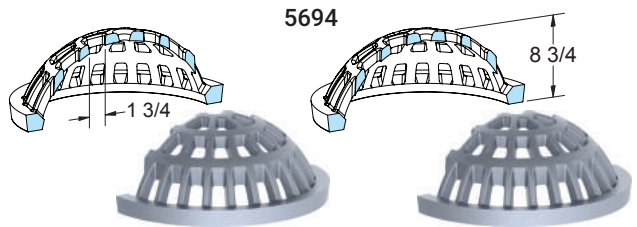
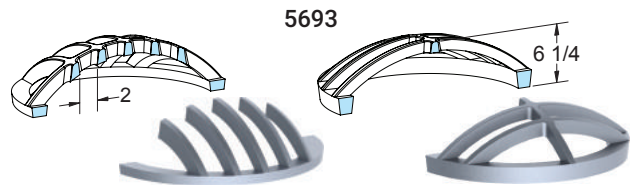
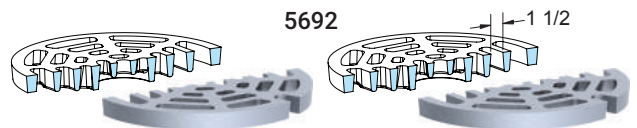
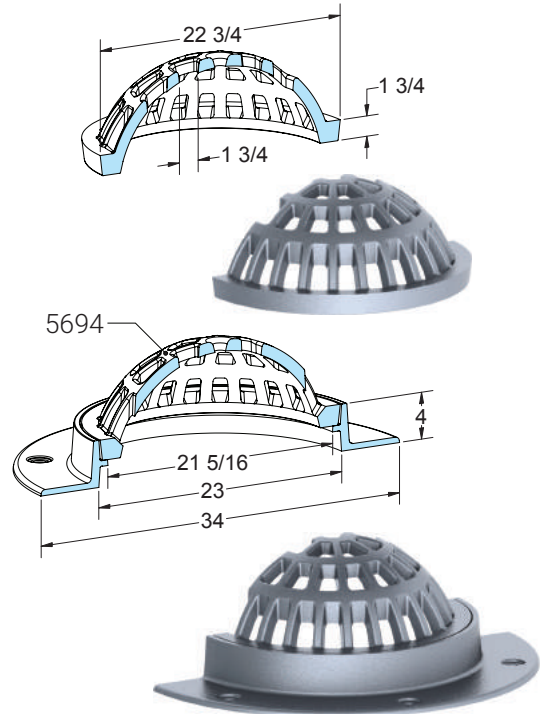
USF 193 RING AND GRATE SERIES



Grates: **5692**(FA=144in²)(Heavy Duty)
5693(FA=211in²), **5694**(FA=149in²)



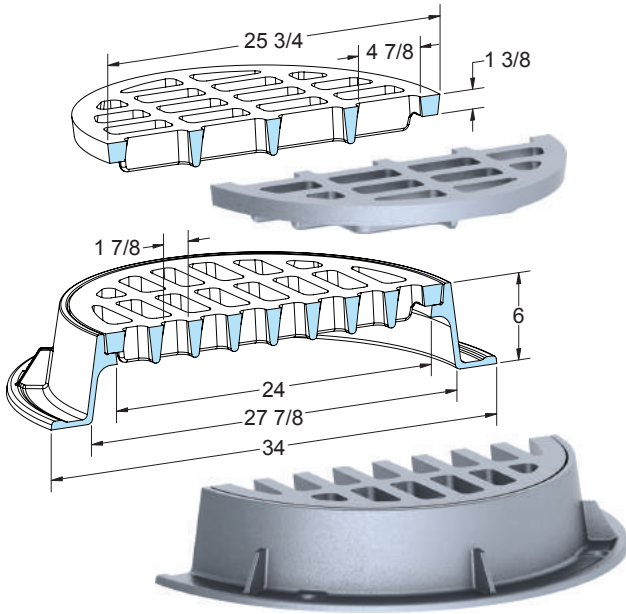
USF 234/1234 RING AND GRATE SERIES



Grates: **5692**(FA=144in²)(Heavy Duty)
5693(FA=211in²), **5694**(FA=149in²)



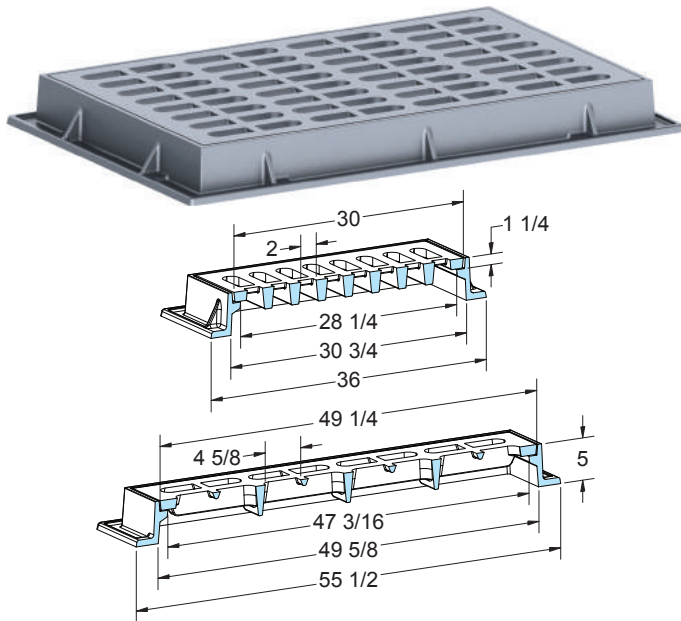
USF 346 RING AND 5618 GRATE



Grate: **5618**(FA=208in²)



USF 4040 FRAME AND 6040 GRATE

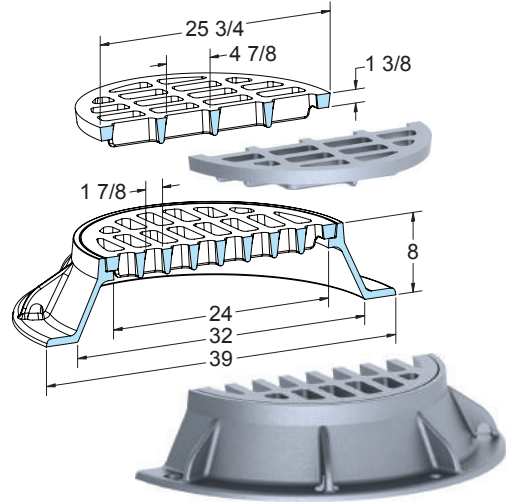


NEW JERSEY DOT FAT A

Grate: **6040**(FA=565in²)



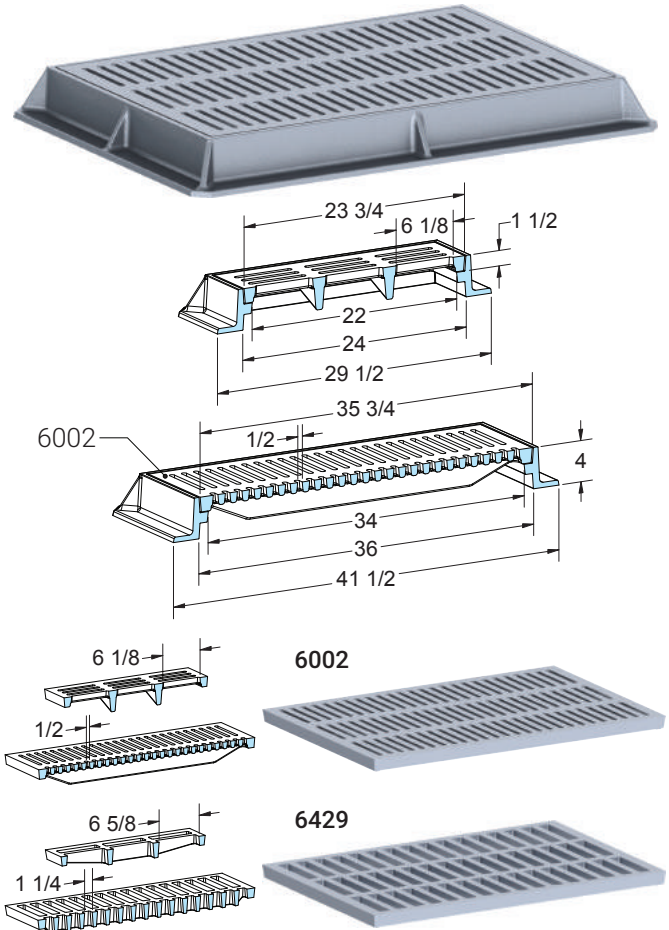
USF 398 RING AND 5618 GRATE



Grate: **5618**(FA=208in²)



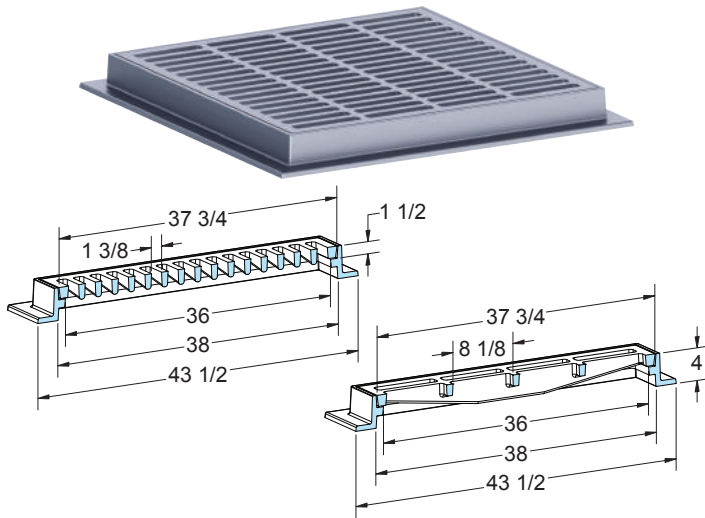
USF 4139 FRAME AND GRATE SERIES



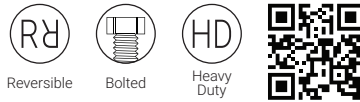
Grates: **6002**(FA=233in²), **6429**(FA=400in²)(Non ADA)



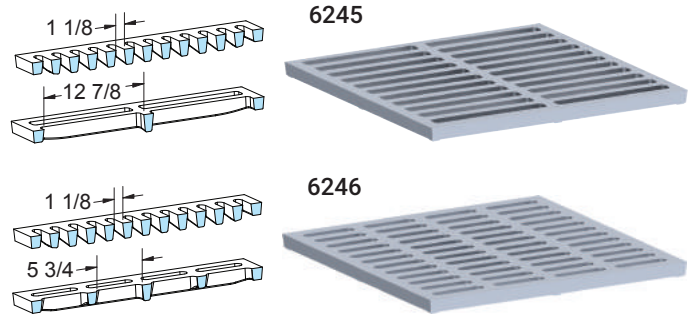
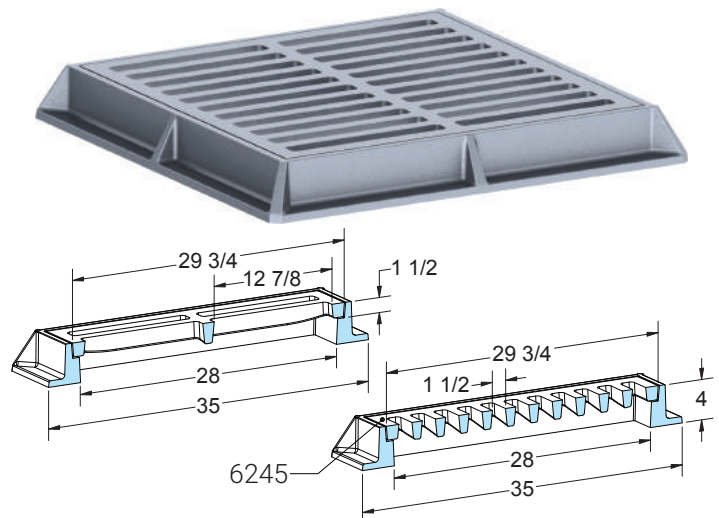
USF 4156/4660 FRAME AND 6241 GRATE



Grate: **6241**(FA=715in²)



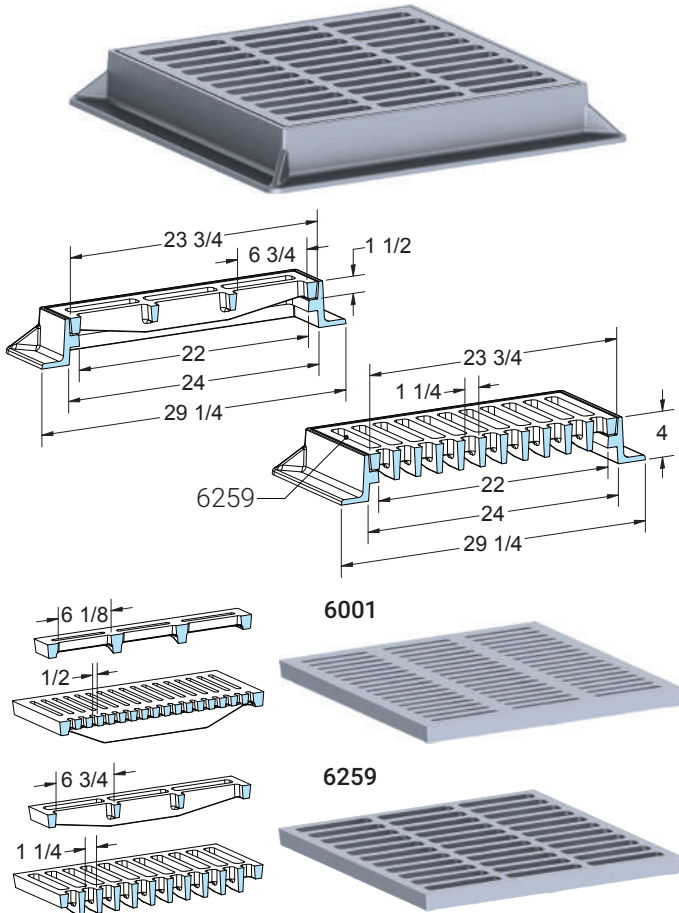
USF 4170 FRAME AND GRATE SERIES



Grates: **6245**(FA=375in²), **6246**(FA=320in²)



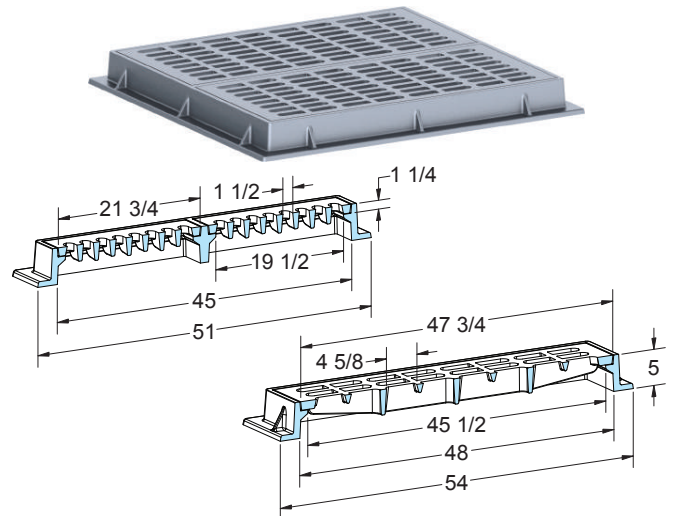
USF 4190 FRAME AND GRATE SERIES



Grates: **6001**(FA=153in²)(ADA Compliant), **6259**(FA=290in²)



USF 4195 FRAME AND 6352 GRATE

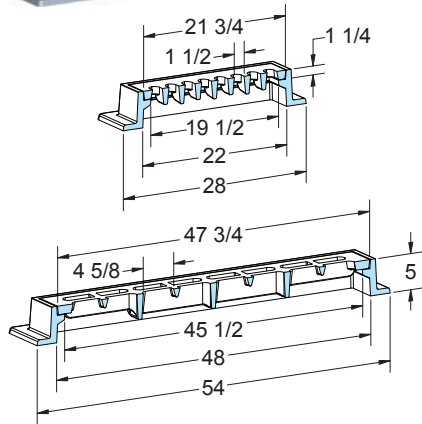
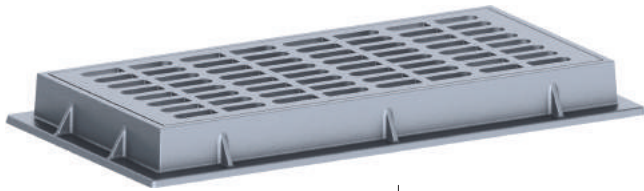


Grate: **6352**(FA=404in²)

NEW JERSEY DOT TYPE "E"



USF 4196 FRAME AND 6352 GRATE

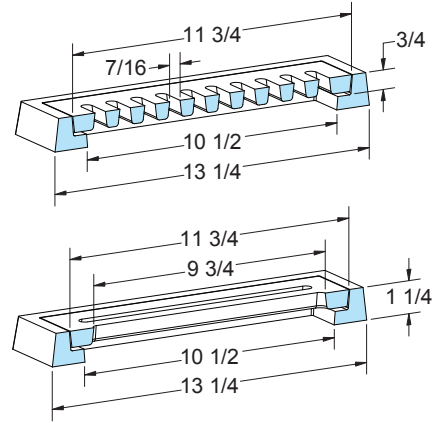


NEW JERSEY DOT TYPE "A"

Grate: **6352**(FA=404in²)



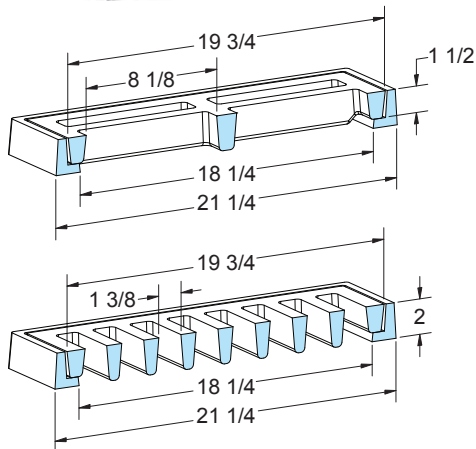
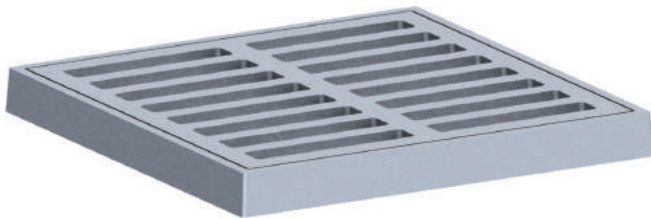
USF 4600 FRAME AND 6110 GRATE



Grates: **6110**(FA=45in²)



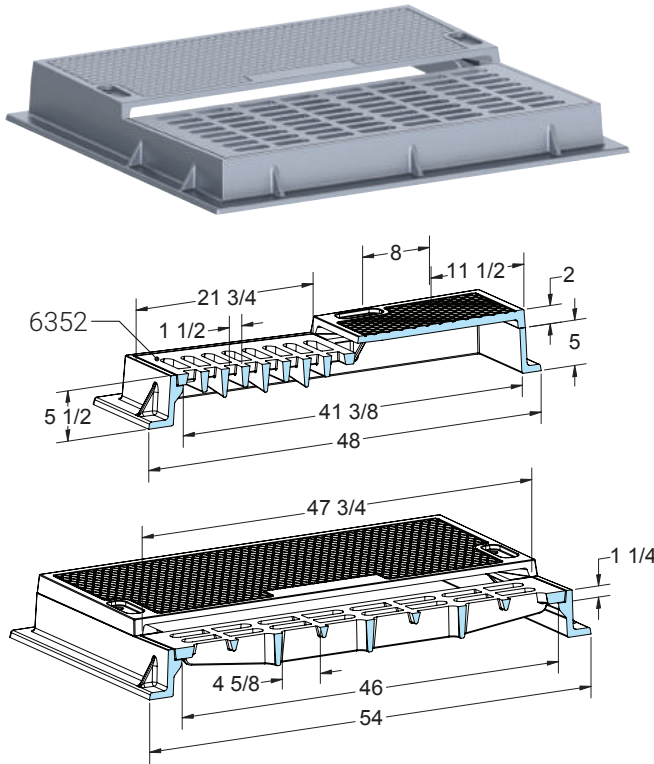
USF 4673 FRAME AND 6373 GRATE



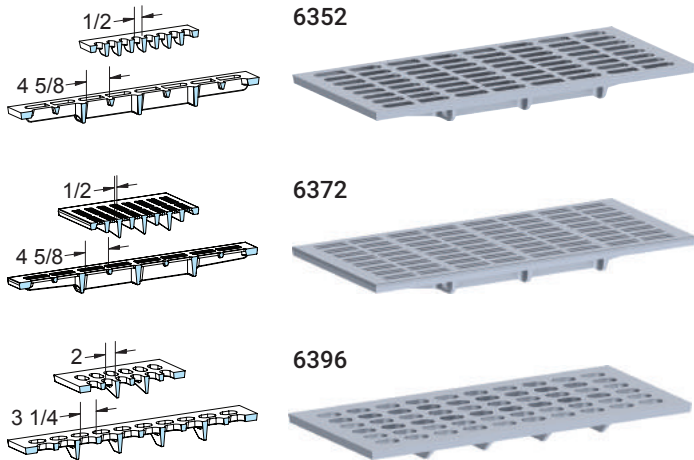
Grates: **6373**(FA=177in²)



USF 5216 CURB AND GUTTER INLET FRAME, DRIVEWAY PLATE AND GRATE SERIES



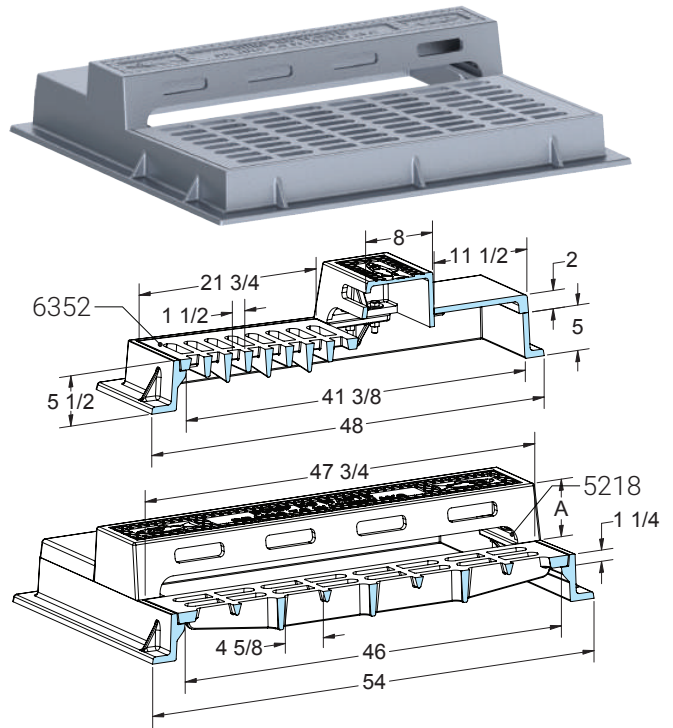
NEW JERSEY DOT TYPE "B"



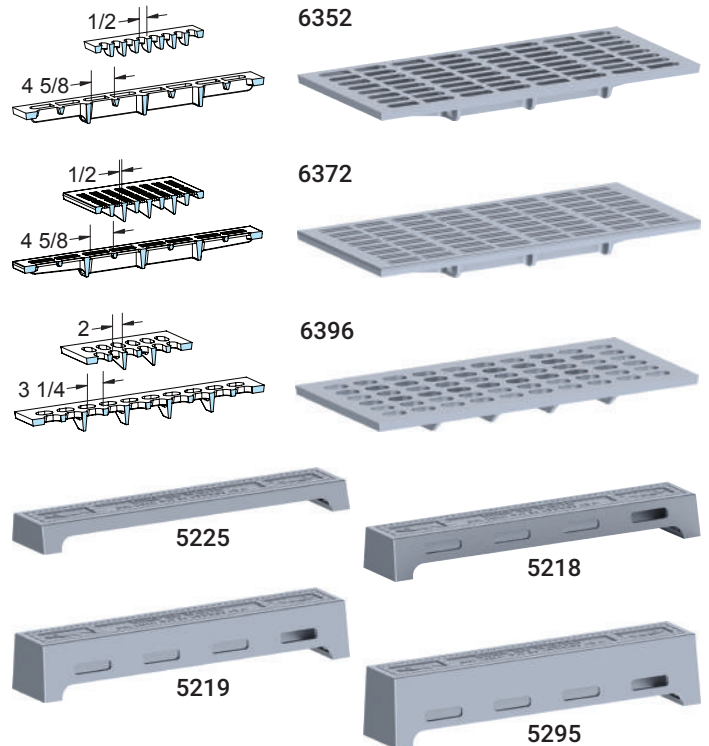
Grates: **6352**(FA=416in²), **6372**(ADA)(FA=209in²)
6396(FA=339in²)



USF 5220 CURB AND GUTTER INLET FRAME, HOODS AND GRATE SERIES



NEW JERSEY DOT TYPE "B"

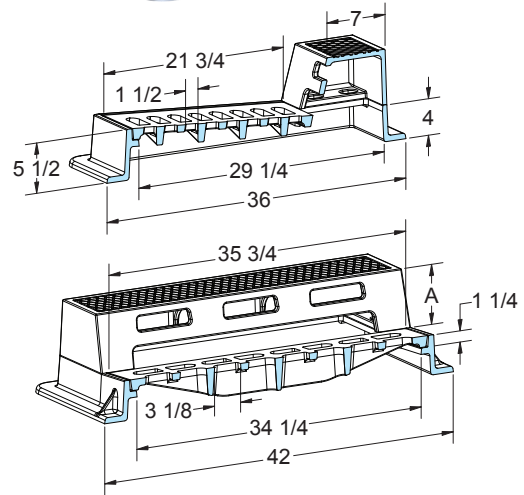
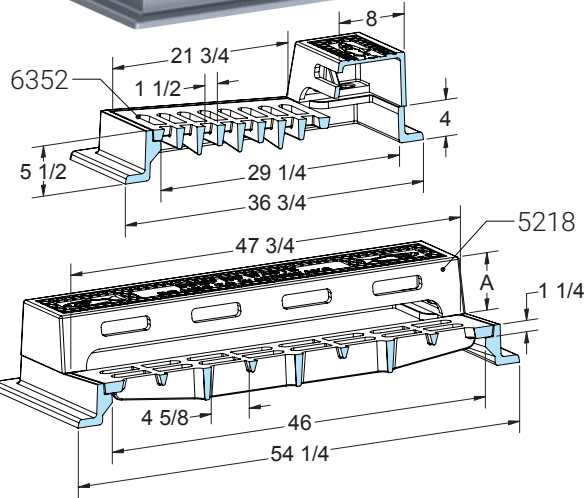
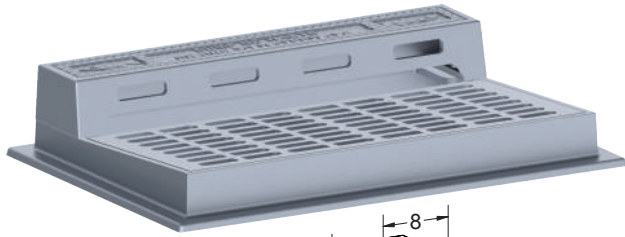


Grates: **6352**(FA=416in²), **6372**(FA=209in²), **6396**(FA=339in²)
Hoods: **5225**(A=4), **5218**(A=6), **5219**(A=8), **5295**(A=10)

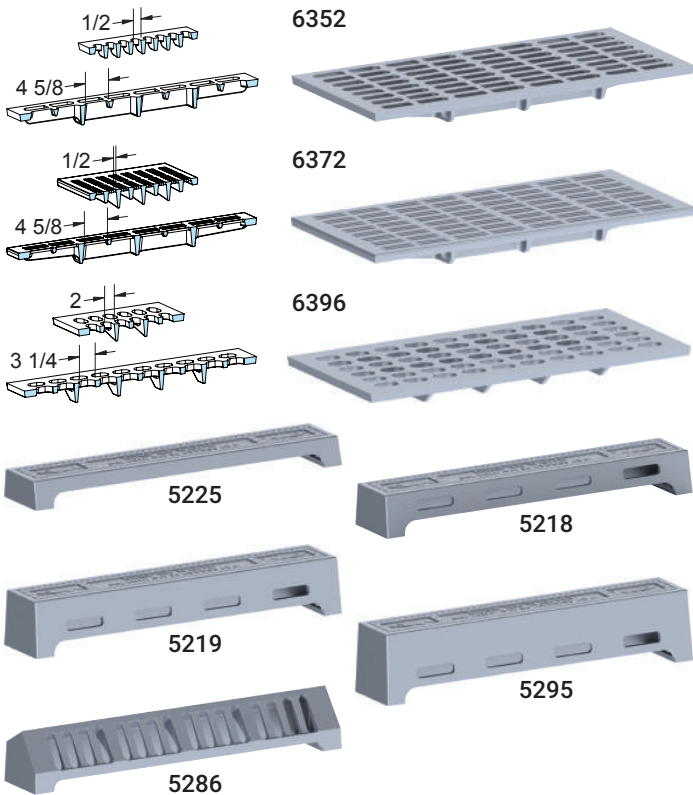


USF 5236 CURB AND GUTTER FRAME, HOODS AND GRATE SERIES

USF 5242 CURB AND GUTTER INLET FRAME, HOODS AND 6357 GRATE



NEW JERSEY DOT TYPE "D"



Grate: **6357**(FA=298in²)

Hoods: **5244**(A=6), **5255**(A=8)



Bolted



Heavy Duty

Grates: **6352**(FA=416in²), **6372**(FA=209in²), **6396**(FA=339in²)

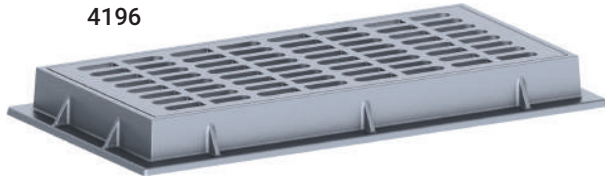
Hoods: **5225**(A=4), **5218**(A=6), **5219**(A=8), **5295**(A=10)

5286(A=8)(NJDOT TYPE "D1")



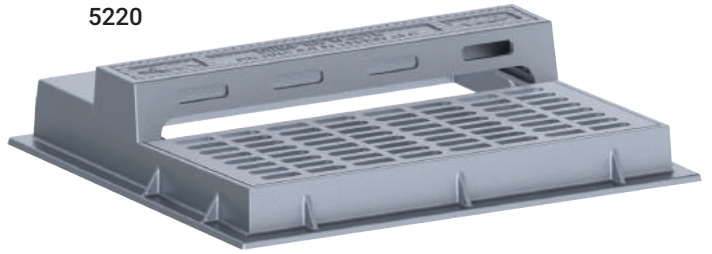
NEW JERSEY DOT INLETS SUMMARY

4196



NEW JERSEY DOT TYPE "A"

5220



NEW JERSEY DOT TYPE "B" and "C"

5236



NEW JERSEY DOT TYPE "D"

4195



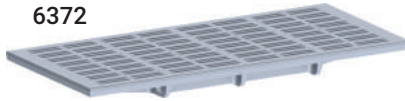
NEW JERSEY DOT TYPE "E"

GRATE OPTIONS

6352



6372



6396



HOOD OPTIONS

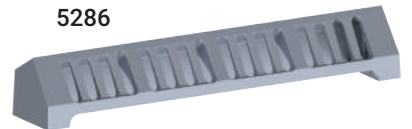
5225



5218



5286

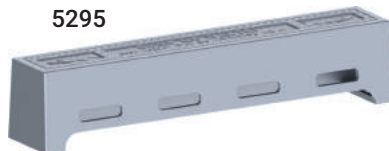


NEW JERSEY DOT TYPE "D1"

5219



5295



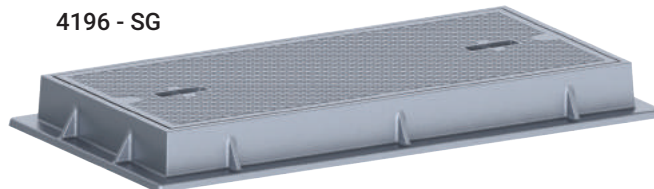
5256



NEW JERSEY DOT TYPE "D2"

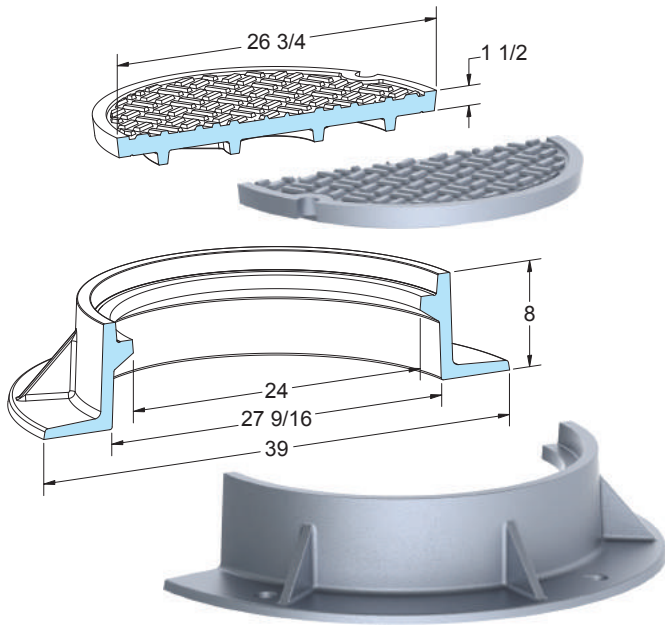
FRAME AND COVER

4196 - SG



NEW YORK CASTINGS

USF 107 RING AND II COVER



NEW YORK CITY



Watertight



Gasket

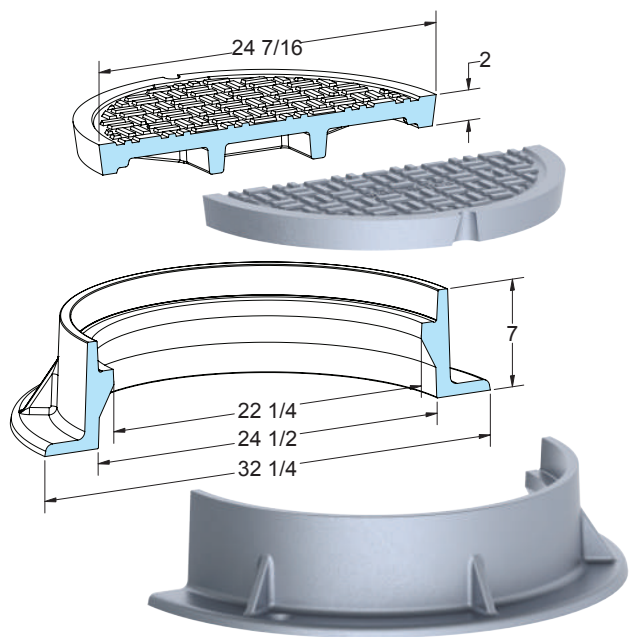


Bolted



AASHTO
M306

USF 264 RING AND RW COVER



*NASSAU COUNTY
LONG ISLAND, NEW YORK*



Watertight



Gasket

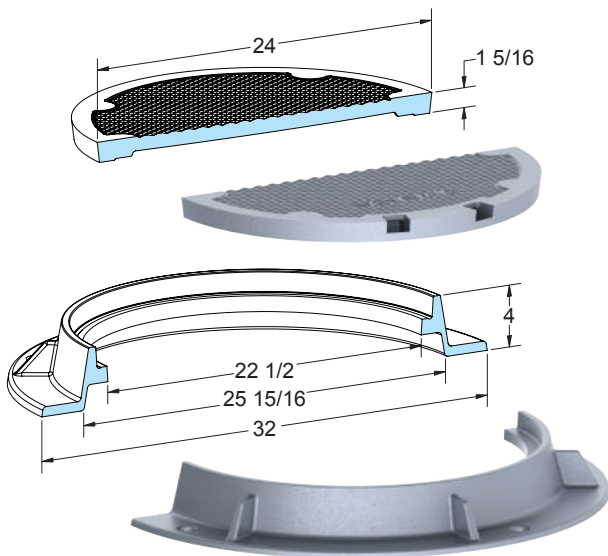


Bolted

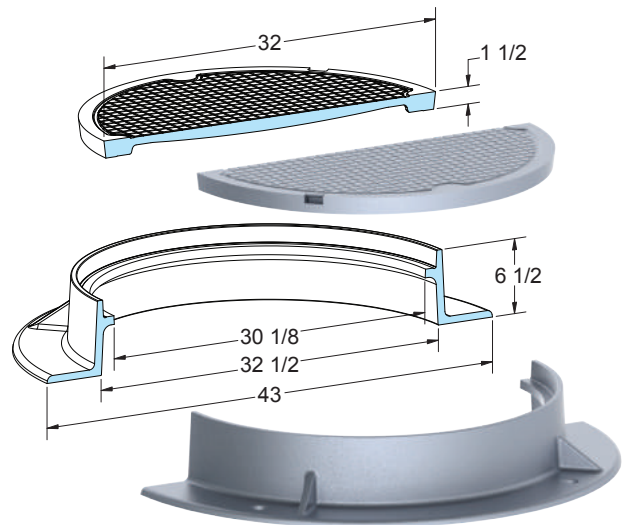


AASHTO
M306

USF 266 RING AND RU COVER



USF 267 RING AND RV COVER



Watertight



Gasket



Camlocks



Bolted



AASHTO
M306



Grate
Available



Watertight



Gasket



Camlocks

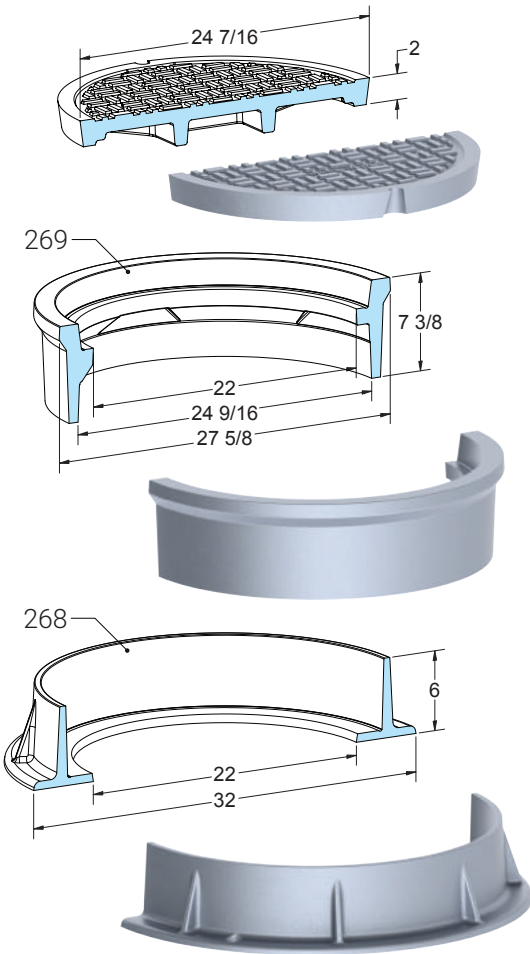


Bolted



AASHTO
M306

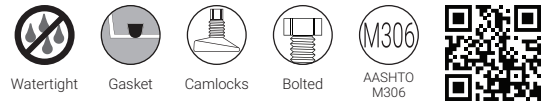
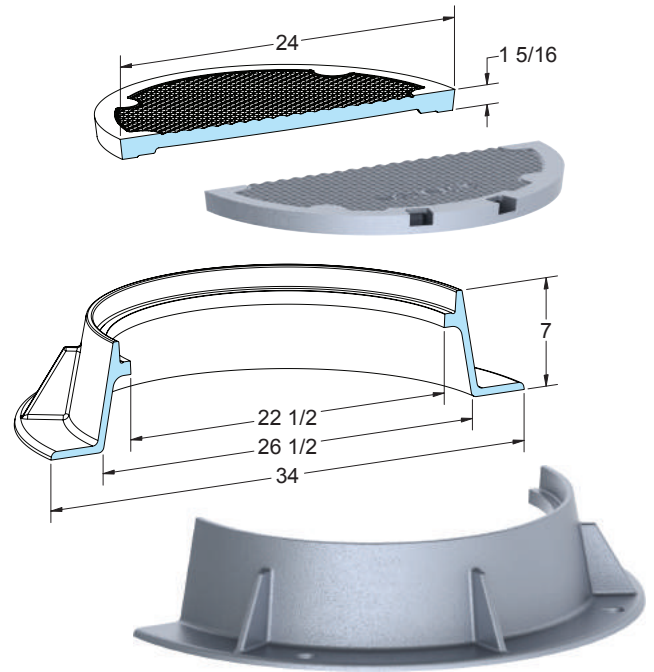
USF 268-269 RING AND RW COVER



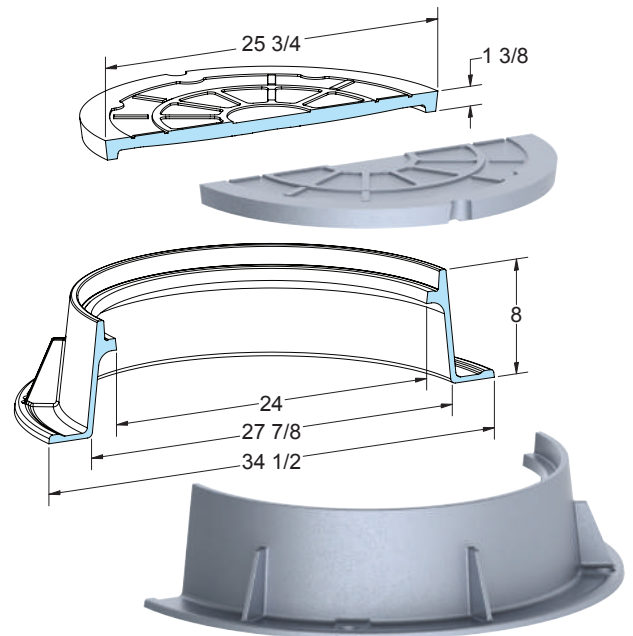
**NASSAU COUNTY
LONG ISLAND, NEW YORK**



USF 347 RING AND RU COVER

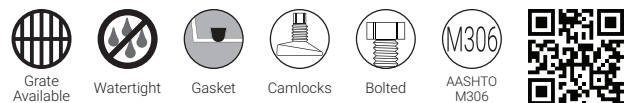


USF 348 RING AND COVER SERIES

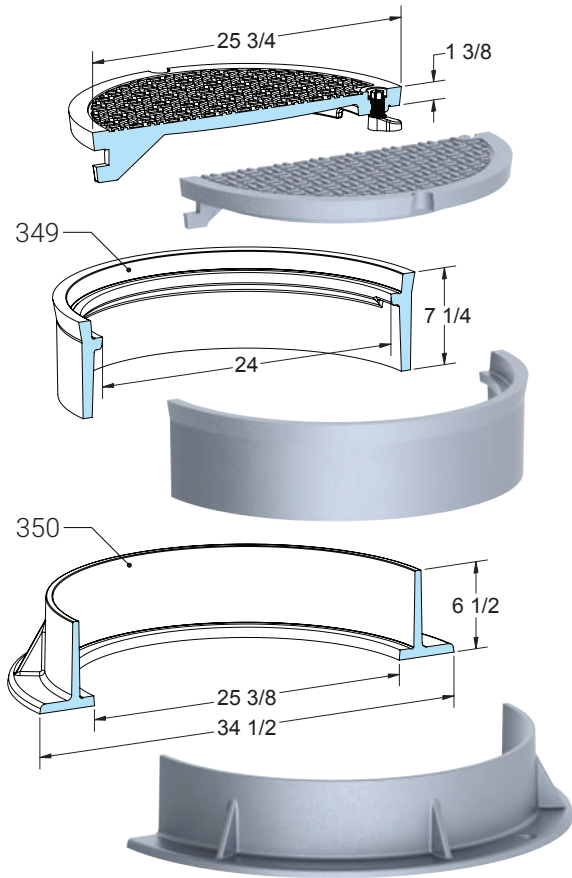


SUFFOLK COUNTY

Cover Types: **QY, QZ, SR**

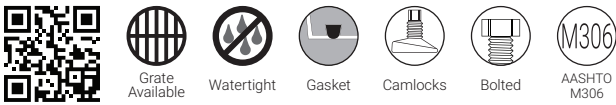


USF 349-350 RING AND COVER SERIES

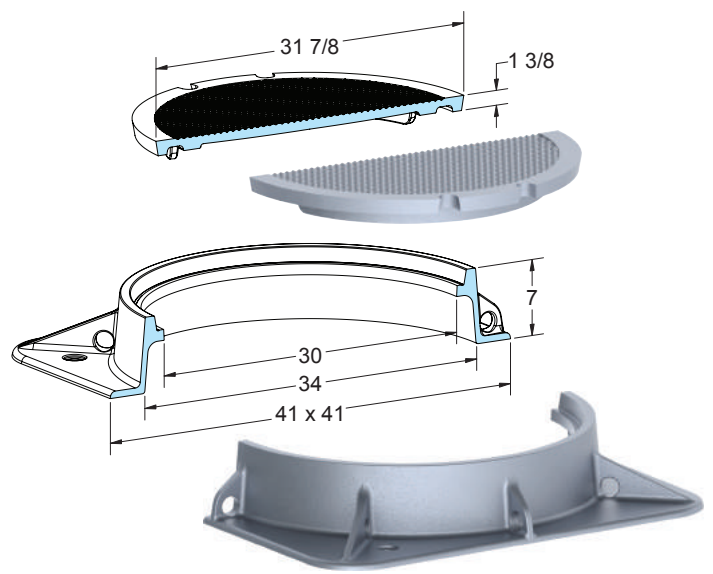


SUFFOLK COUNTY SEWER

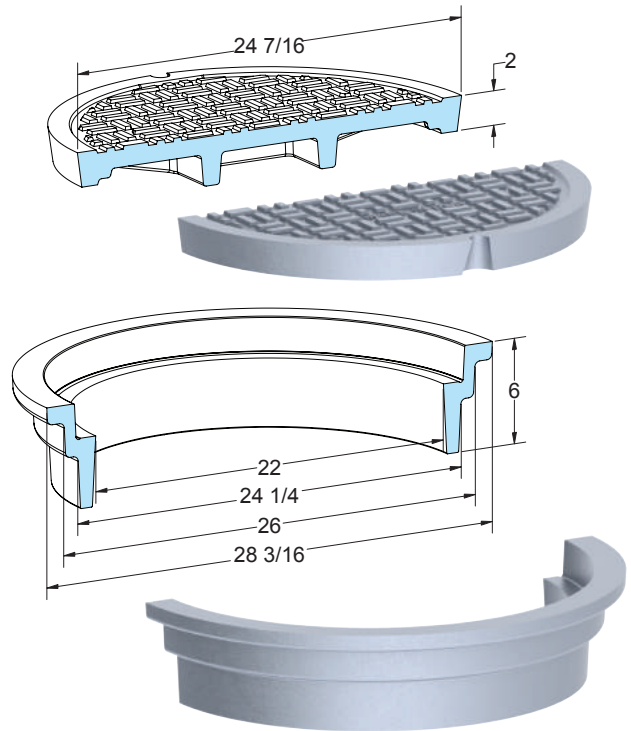
Cover Types: **QY, QZ, SR**



USF 417 RING AND ER COVER



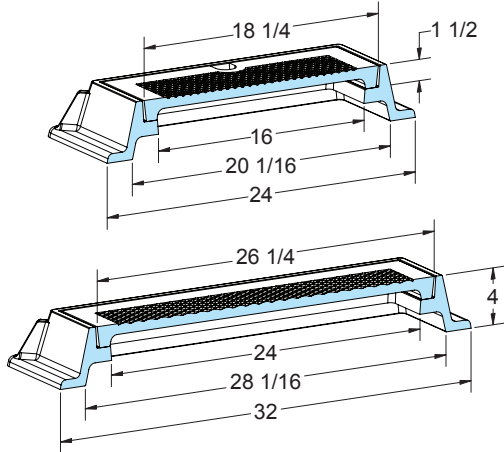
USF 1263 RING AND RW COVER



**NASSAU COUNTY
LONG ISLAND, NEW YORK**



USF 1664 FRAME AND ST COVER



NASSAU COUNTY



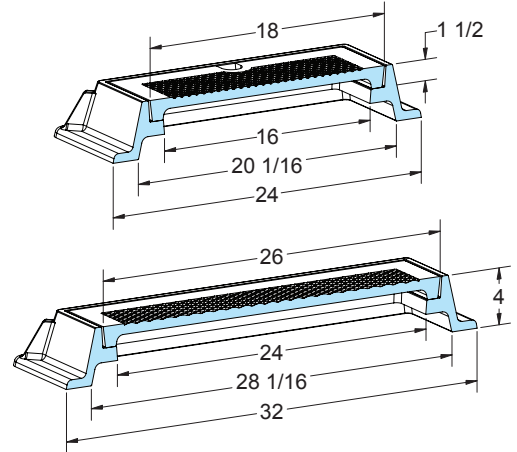
Bolted



AASHTO M306



USF 1666 FRAME AND RT COVER



NEW YORK STATE DOT



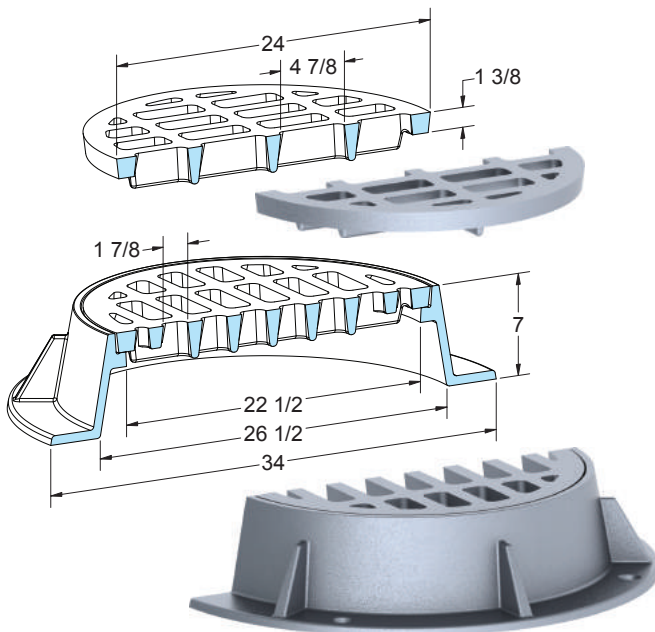
Bolted



AASHTO M306



USF 347 RING AND 5847 GRATE



Grate: **5847**(FA=168in²)



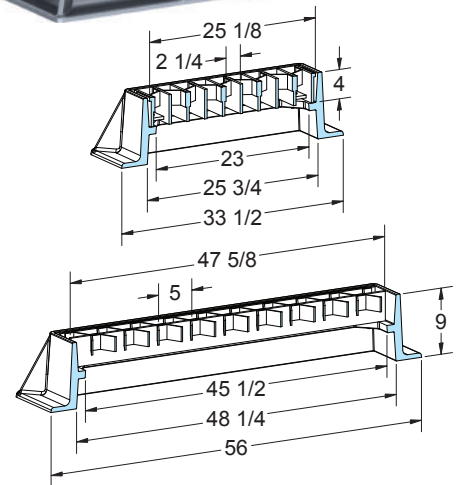
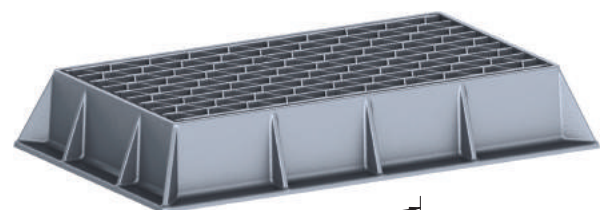
Bolted



AASHTO M306



USF 4169 FRAME AND 6698 GRATE



NEW YORK STATE DOT

Grate: **6698**(FA=872in²)(Steel)



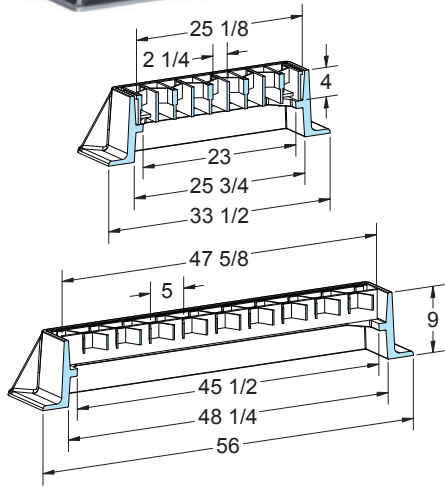
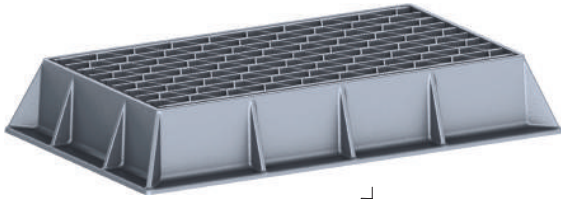
Bolted



Heavy Duty



USF 4169 FRAME AND 6699 GRATE

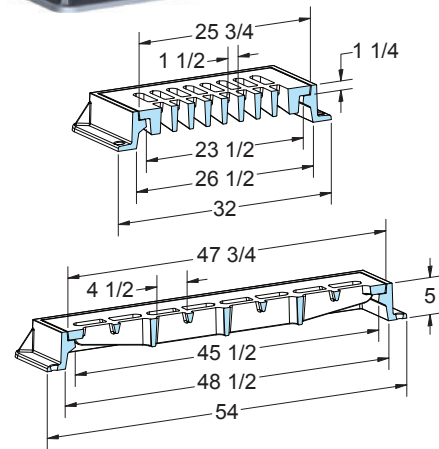
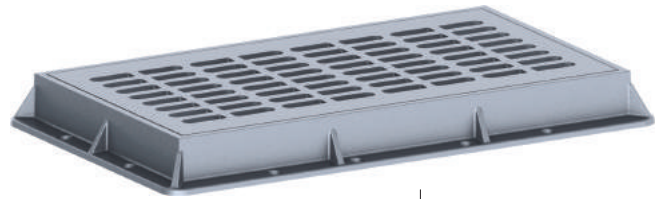


NASSAU COUNTY

Grate: **6699**(FA=872in²)(Steel)



USF 4172 FRAME AND 6353 GRATE

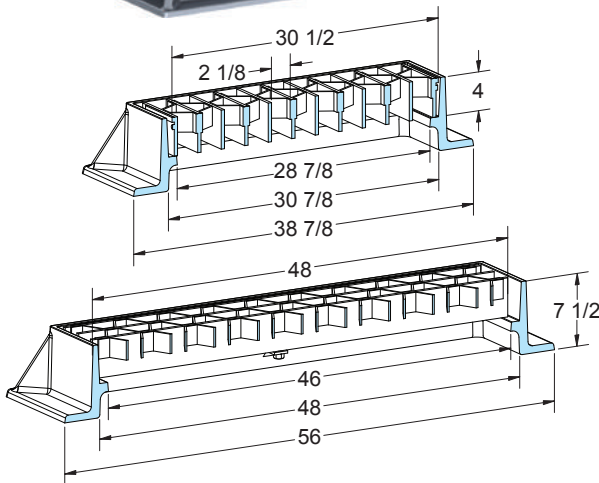
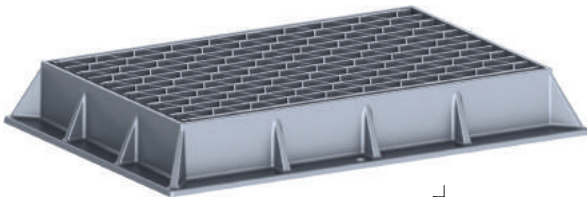


NEW YORK CITY TYPE 2

Grates: **6353**(FA=543in²)



USF 4779 FRAME AND 6682 GRATE

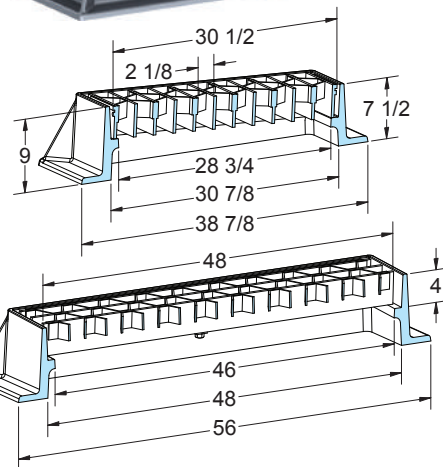
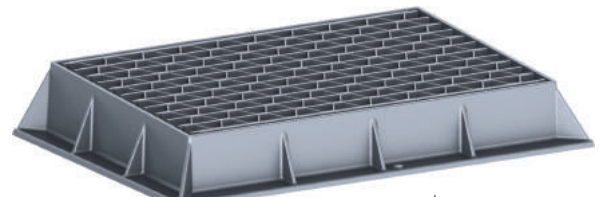


SUFFOLK COUNTY, NEW YORK

Grate: **6682**(FA=1066in²)



USF 4780 FRAME AND 6682 GRATE

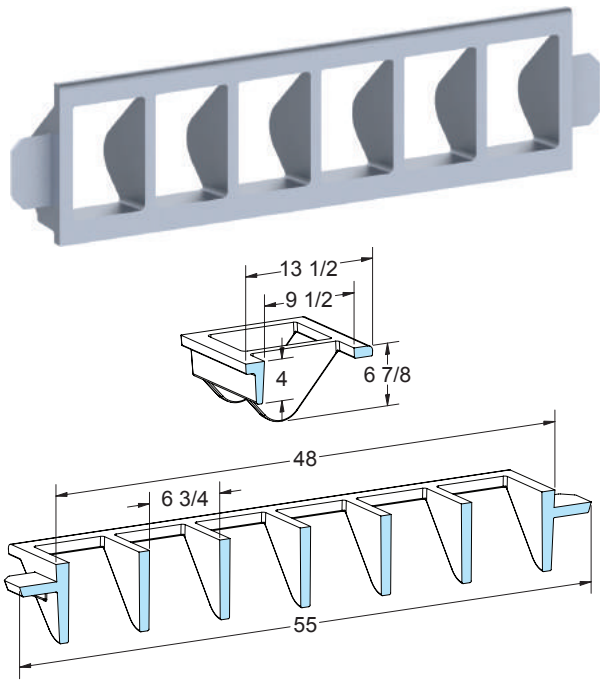


SUFFOLK COUNTY, NEW YORK

Grate: **6682**(FA=1066in²)



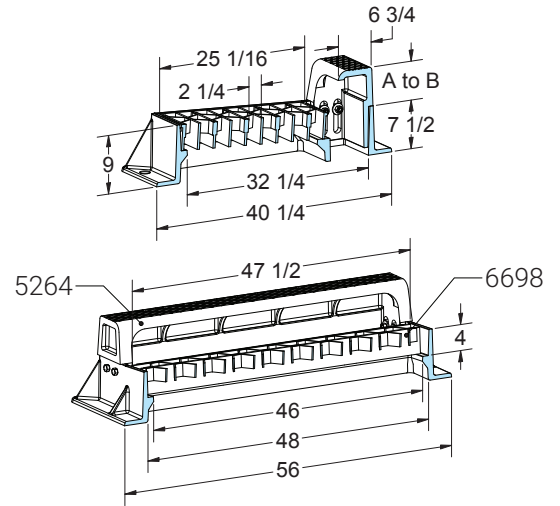
USF 5258 INLET GRATE



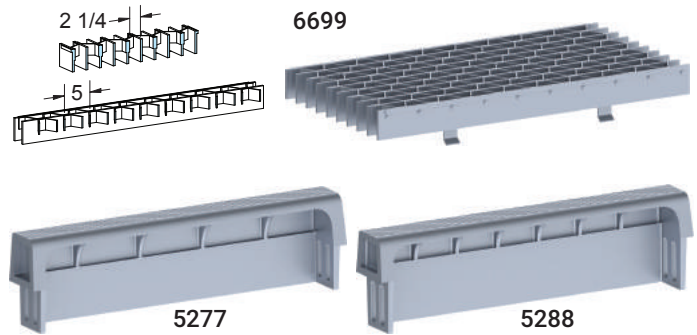
NASSAU COUNTY, NEW YORK



USF 5265 CURB & GUTTER INLET FRAME, HOODS AND GRATE SERIES



SUFFOLK COUNTY DRAINAGE



Grates: **6698**(FA=872in²)(Steel), **6699**(FA=872in²)(Steel)
 Hoods: **5264**(A=6, B=9), **5277**(A=7, B=10), **5288**(A=6, B=9)



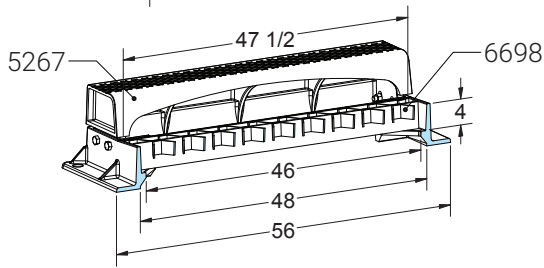
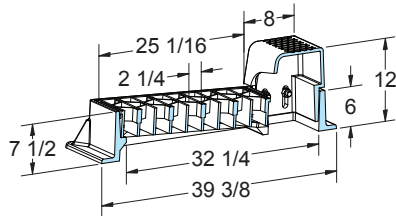
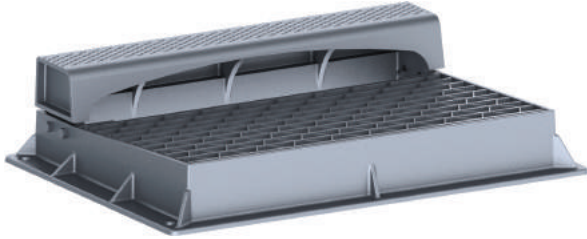
Bolted



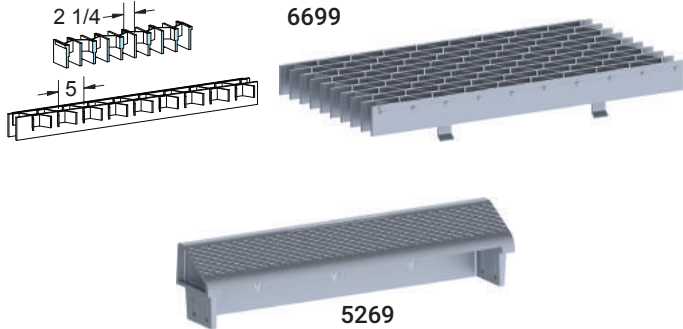
Heavy Duty



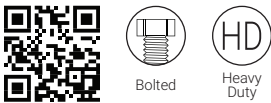
USF 5268 CURB & GUTTER INLET FRAME, HOODS AND GRATE SERIES



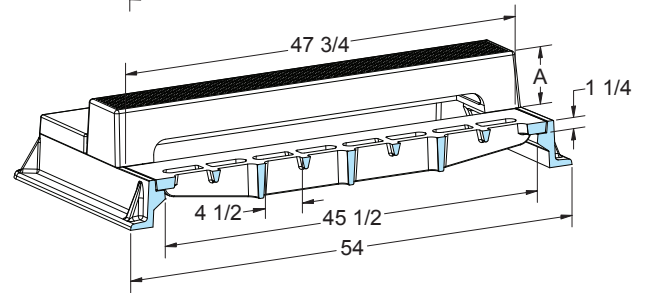
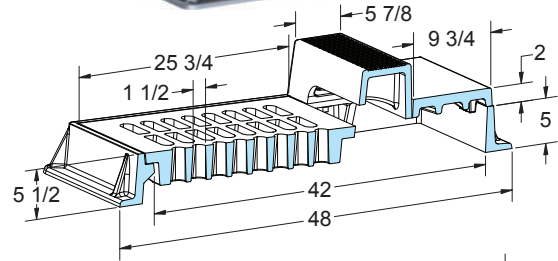
NEW YORK STATE DOT TYPE "F3"



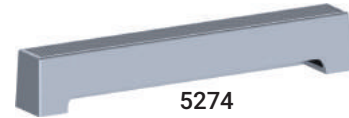
Grates: **6698**(FA=872in²)(Steel), **6699**(FA=872in²)(Steel)
 Hoods: **5267**, **5269**(Mountable)



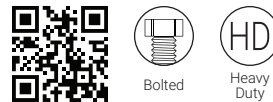
USF 5275 CURB AND GUTTER INLET FRAME, HOODS AND 6353 GRATE



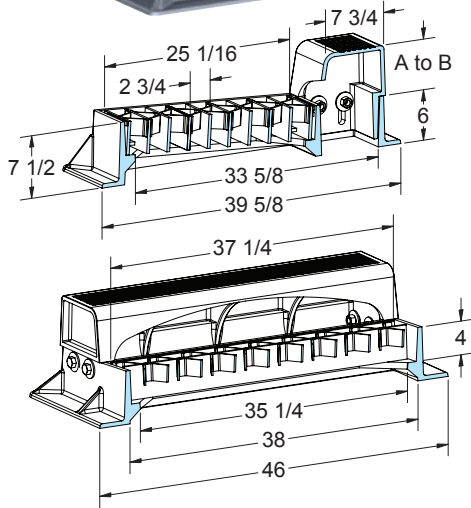
NEW YORK CITY TYPE 1



Grates: **6353**(FA=415in²)
 Hoods: **5273**(A=6), **5274**(A=8)



USF 5282 CURB AND GUTTER INLET FRAME, HOOD AND STEEL GRATE



NEW YORK STATE DOT TYPE "F2"

Grate:(FA=680in²)(Steel)

Hood: **5222**(A=6, B=8 1/2)



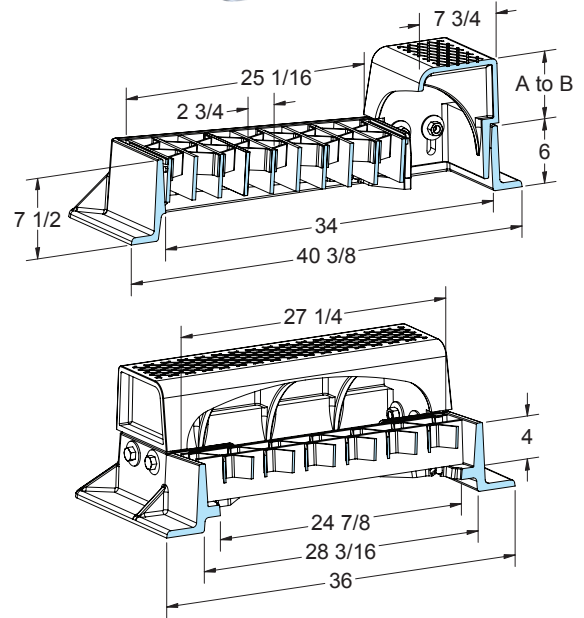
Bolted



Heavy Duty



USF 5283 CURB AND GUTTER INLET FRAME, HOOD AND STEEL GRATE



NEW YORK STATE DOT TYPE "F1"

Grate:(FA=500in²)(Steel)

Hood: **5296**(A=6, B=8 1/2)



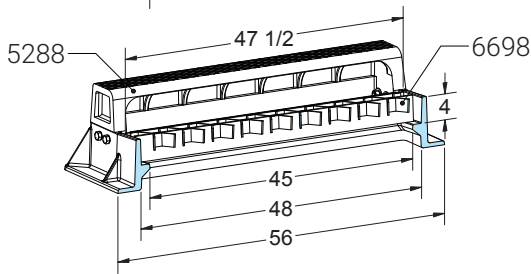
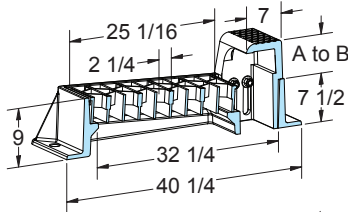
Bolted



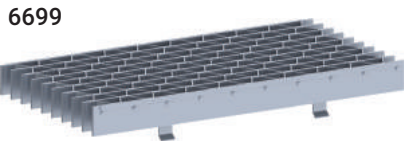
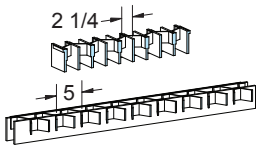
Heavy Duty



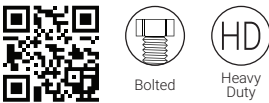
USF 5289 CURB & GUTTER INLET FRAME, HOODS AND GRATE SERIES



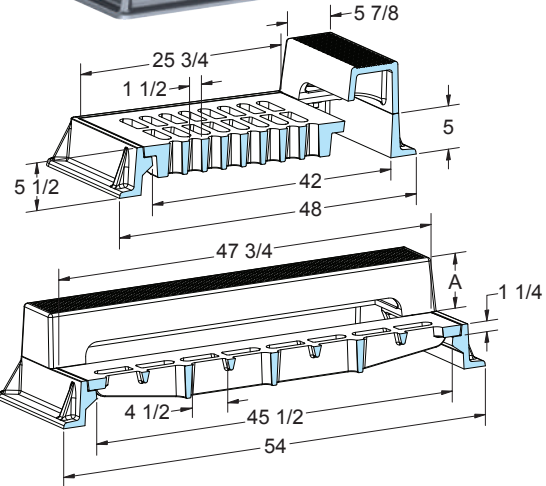
NASSAU COUNTY



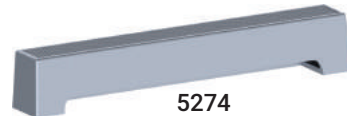
Grates: **6698**(FA=872in²)(Steel), **6699**(FA=872in²)(Steel)
 Hoods: **5264**(A=6, B=9), **5277**(A=7, B=10), **5288**(A=6, B=9)



USF 5297 CURB AND GUTTER INLET FRAME, HOODS AND 6353 GRATE



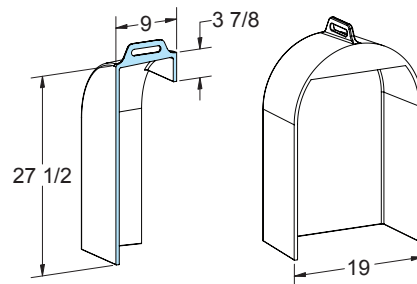
NEW YORK CITY TYPE 3



Grates: **6353**(FA=415in²)
 Hoods: **5273**(A=6), **5274**(A=8)

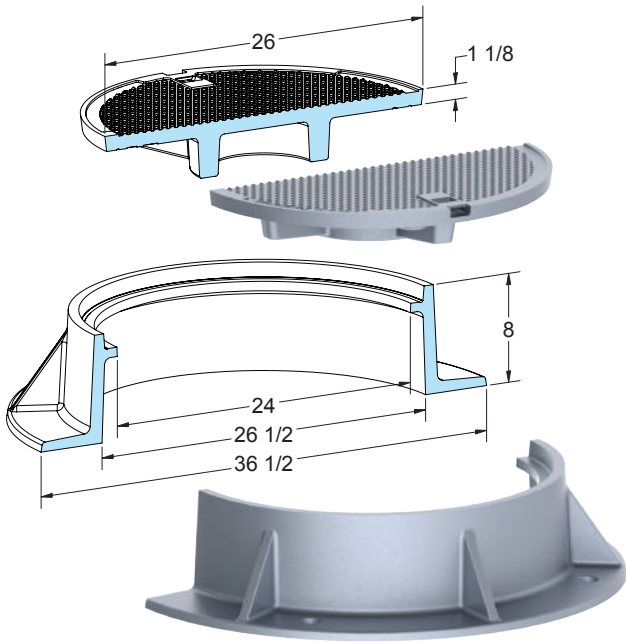


USF 5500 HOOD

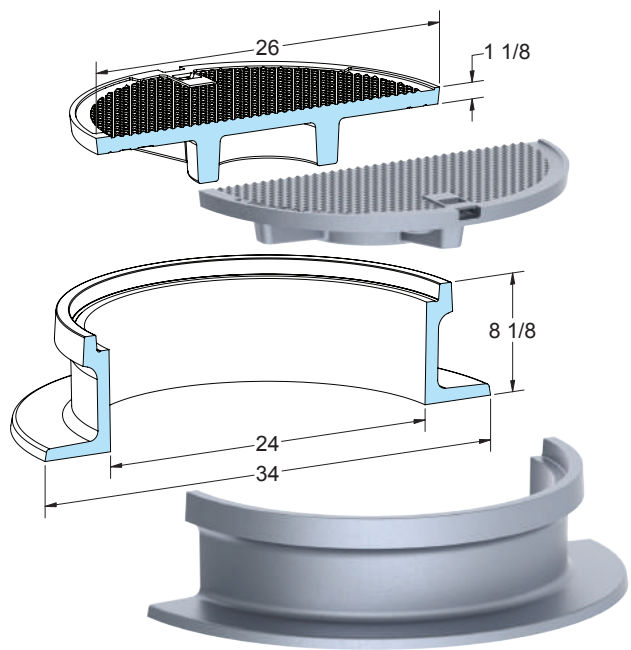


NEW ENGLAND CASTINGS

USF 126 RING AND IC COVER



USF 127 RING AND IC COVER



Watertight

Gasket

Camlocks

Bolted

AASHTO M306



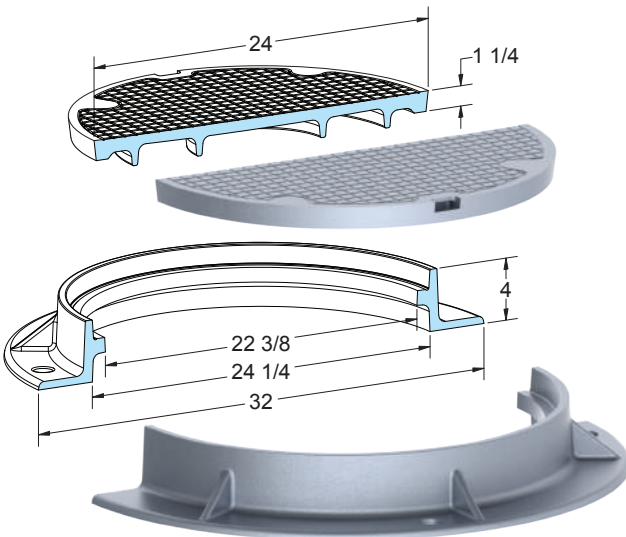
Watertight

Gasket

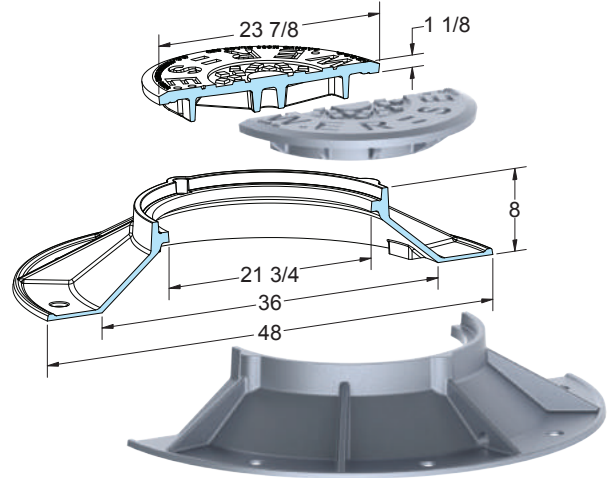
Bolted

AASHTO M306

USF 134 RING AND IS COVER



USF 135 RING AND IR COVER



Watertight

Gasket

Camlocks

Bolted

AASHTO M306



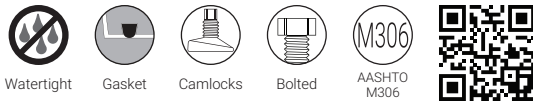
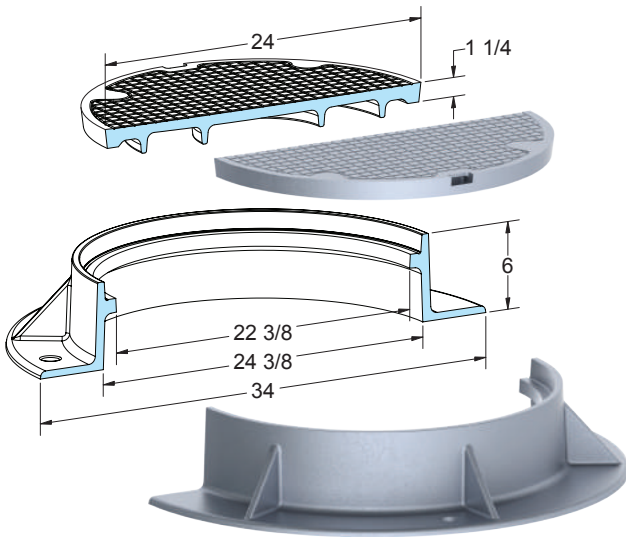
Watertight

Gasket

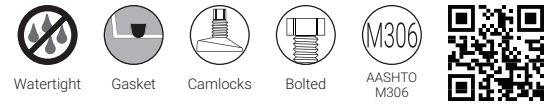
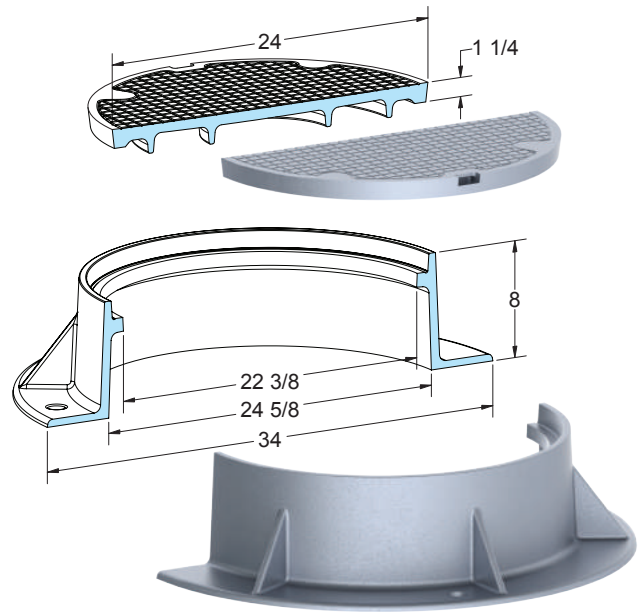
Bolted

AASHTO M306

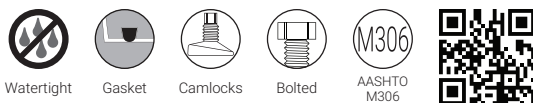
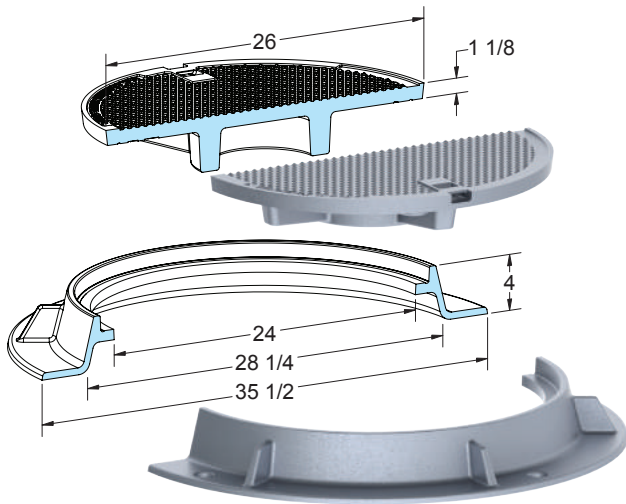
USF 136 RING AND IS COVER



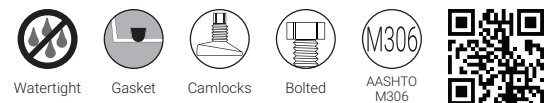
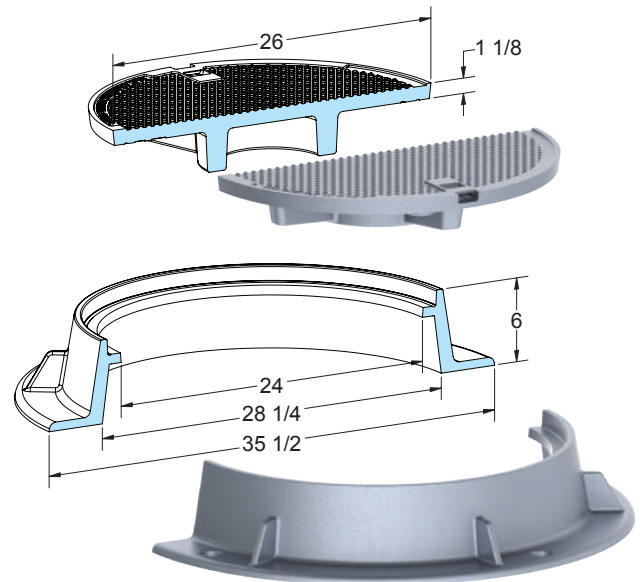
USF 138 RING AND IS COVER



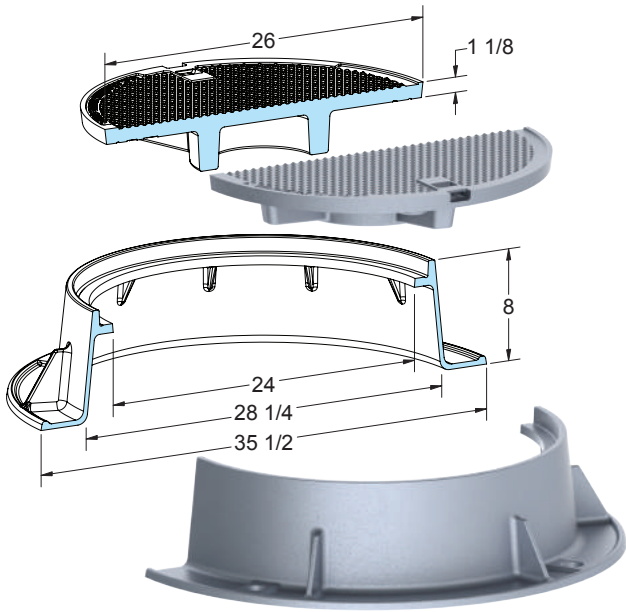
USF 144 RING AND IC COVER



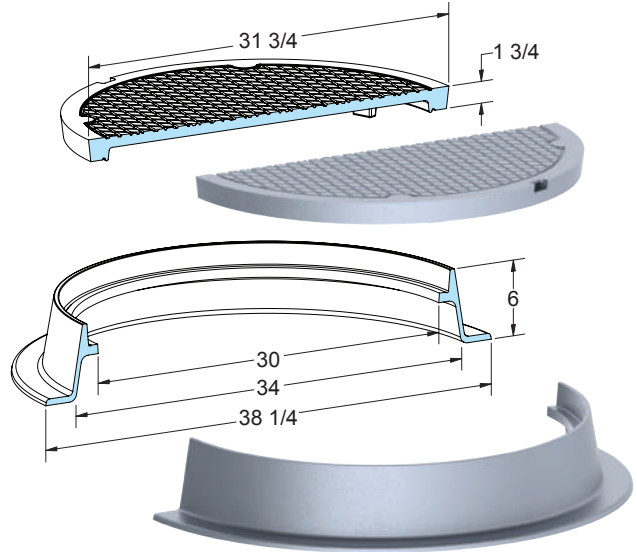
USF 146 RING AND IC COVER



USF 148 RING AND IC COVER



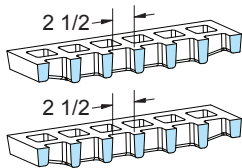
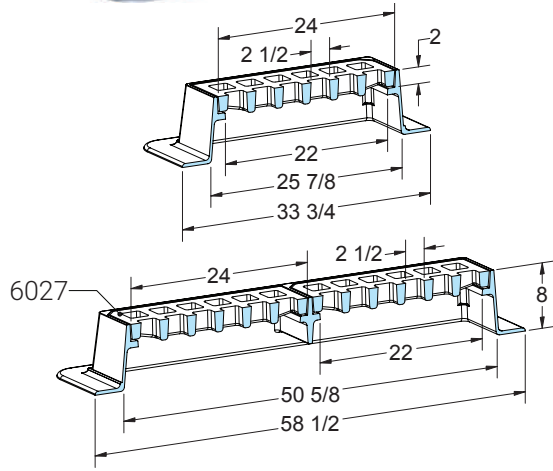
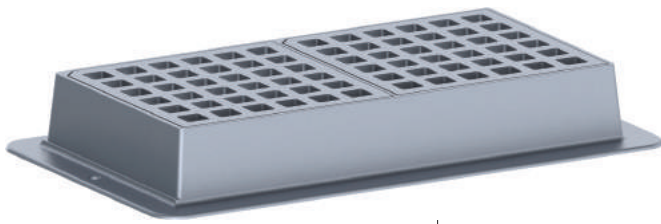
USF 396 RING AND RH COVER



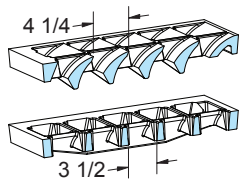
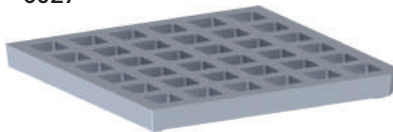
NEW HAMPSHIRE DOT DR-2



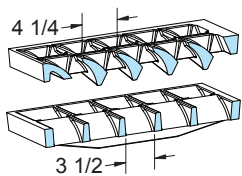
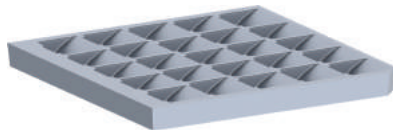
USF 4028 FRAME AND GRATE SERIES



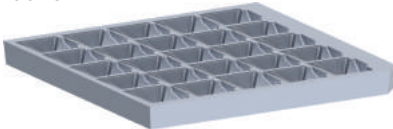
6027



6028-L



6028-R



NEW HAMPSHIRE DOT TYPE "E"

Grate: **6027**(FA=223in²), **6028-L**(FA=160in²)
6028-R(FA=160in²)



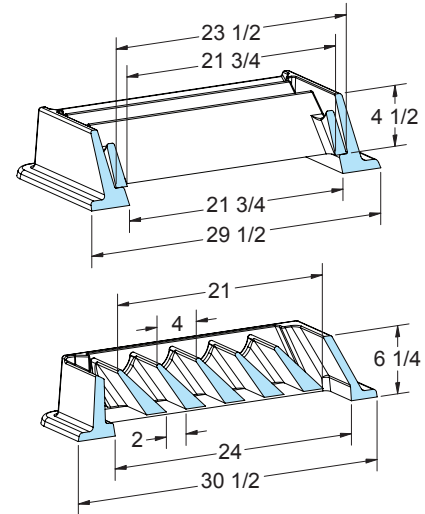
Bolted



Heavy Duty



USF 4032 FRAME AND 6032 GRATE



NEW HAMPSHIRE DOT TYPE "E"

Grate: **6032**(FA=169in²)

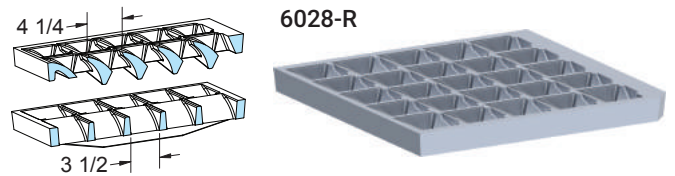
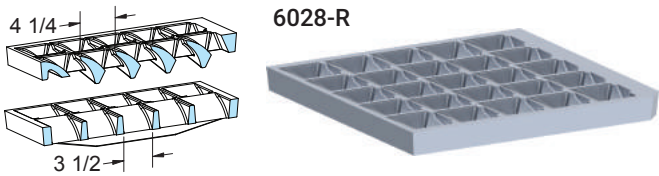
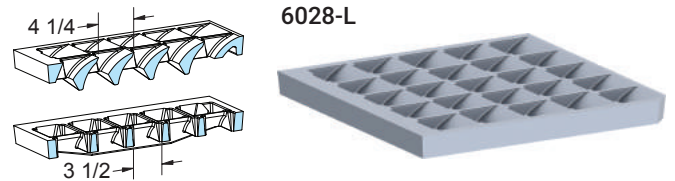
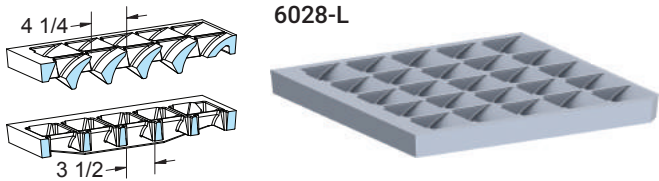
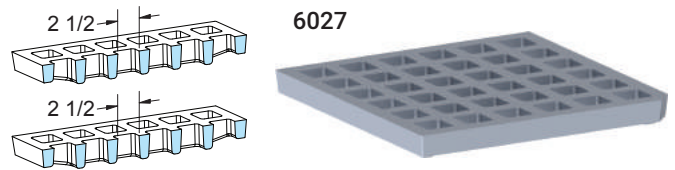
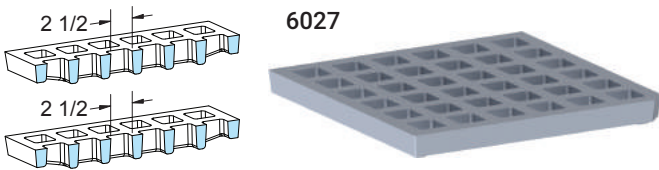
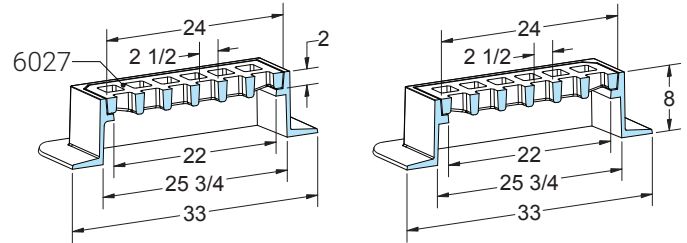
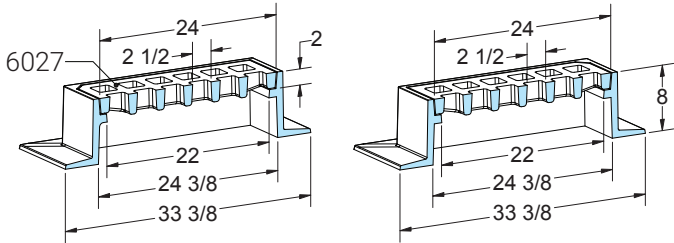


Heavy Duty



USF 4110 FRAME AND GRATE SERIES

USF 4111 FRAME AND GRATE SERIES



AVAILABLE AS THREE FLANGED FRAME

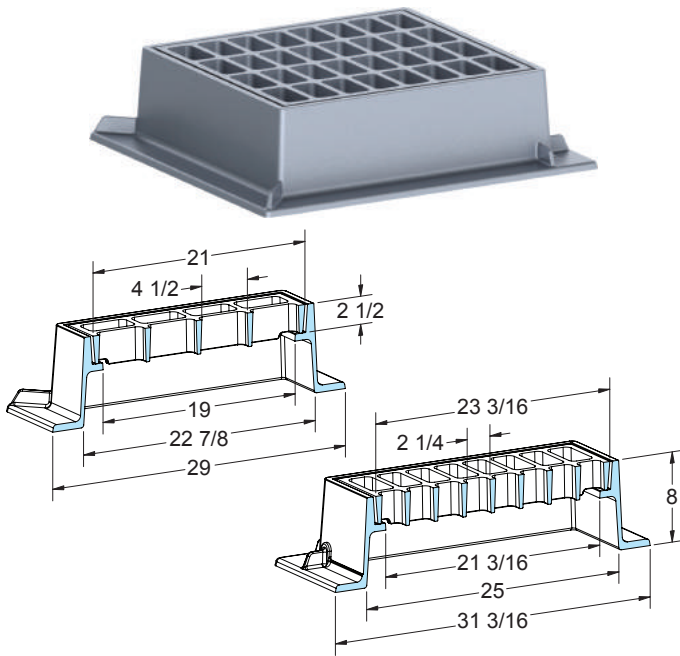
AVAILABLE AS THREE FLANGED FRAME

Grate: **6027**(FA=223in²), **6028-L**(FA=160in²)
6028-R(FA=160in²)

Grate: **6027**(FA=223in²), **6028-L**(FA=160in²)
6028-R(FA=160in²)



USF 4112 FRAME AND 6112 GRATE

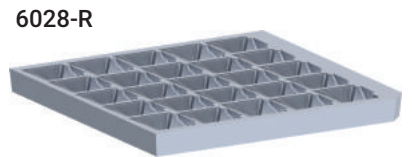
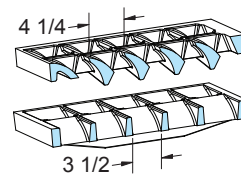
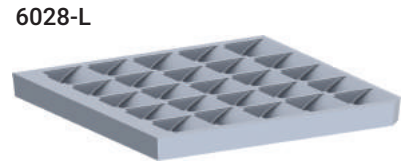
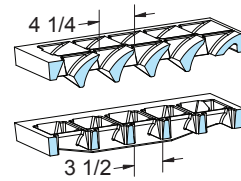
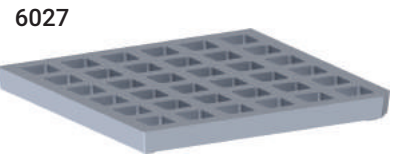
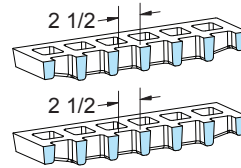
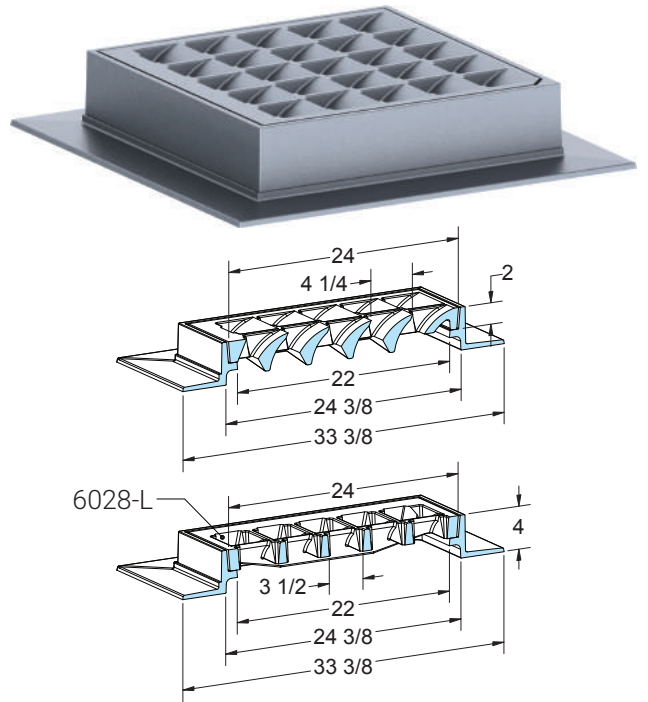


NEW HAMPSHIRE TYPE "B"
AVAILABLE AS THREE FLANGED FRAME

Grate: **6112**(FA=307in²)



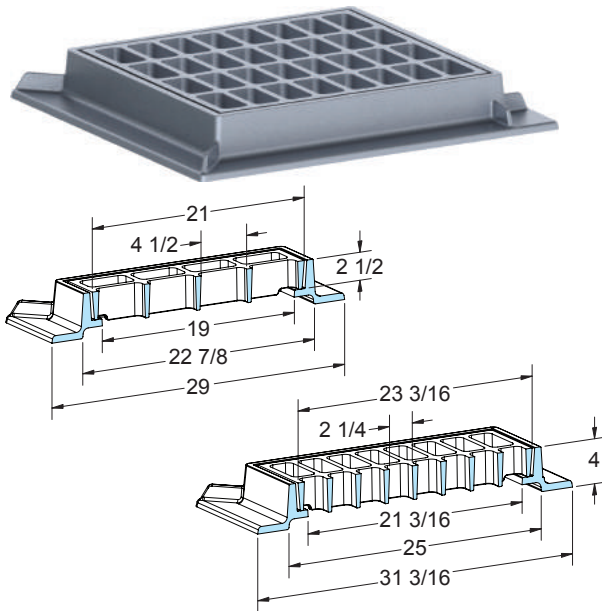
USF 4114 FRAME AND GRATE SERIES



AVAILABLE AS THREE FLANGED FRAME

Grates: **6027**(FA=223in²), **6028-R**(FA=160in²)
6028-L(FA=160in²)

USF 4113 FRAME AND 6112 GRATE

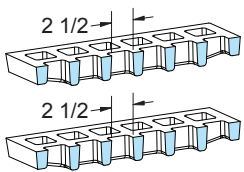
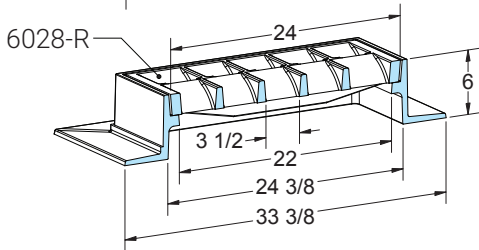
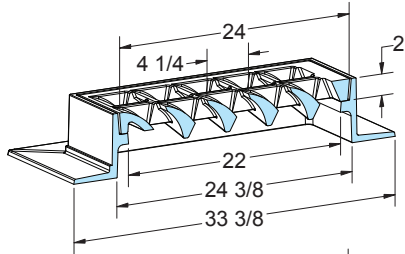


NEW HAMPSHIRE TYPE "B"
AVAILABLE AS THREE FLANGED FRAME

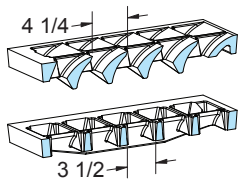
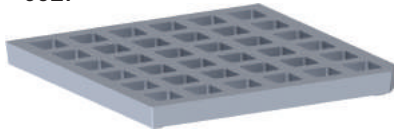
Grate: **6112**(FA=307in²)



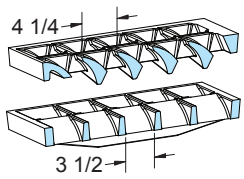
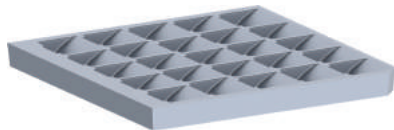
USF 4116 FRAME AND GRATE SERIES



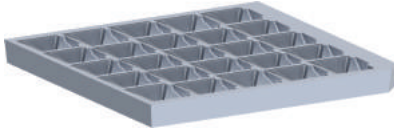
6027



6028-L



6028-R



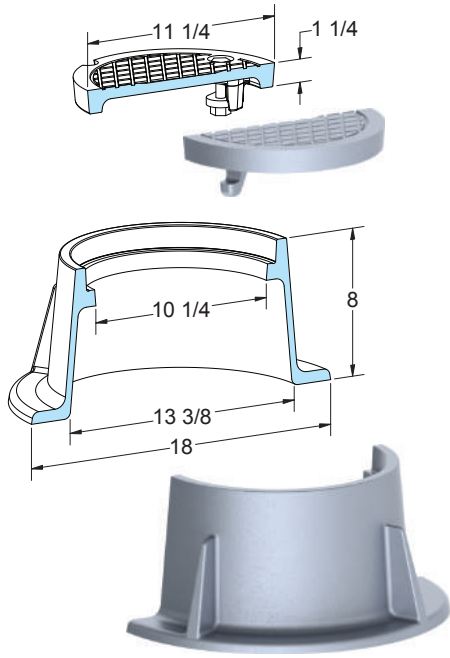
AVAILABLE AS THREE FLANGED FRAME

Grates: **6027**(FA=223in²), **6028-R**(FA=160in²)
6028-L(FA=160in²)

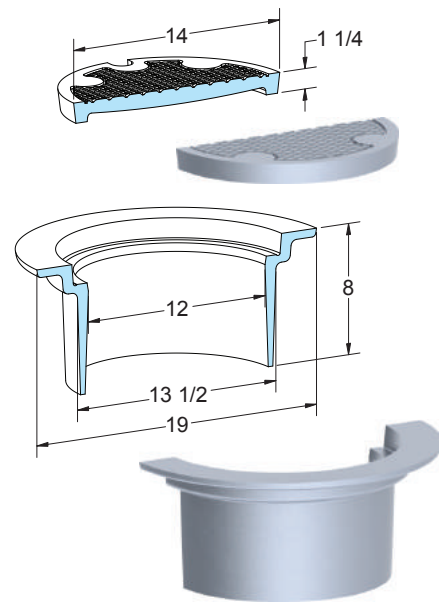


ADDITIONAL CASTINGS

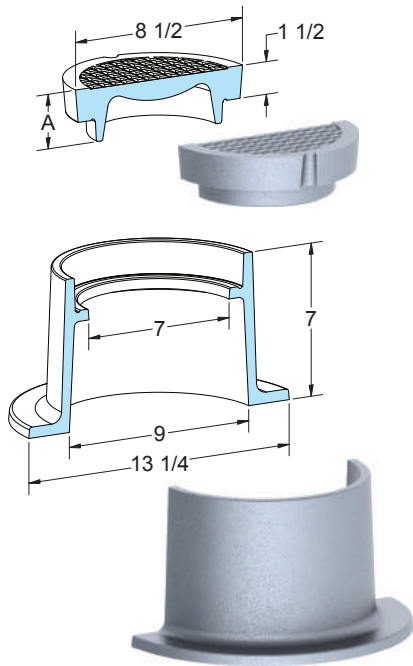
USF 7601 VALVE BOX RING AND FH COVER



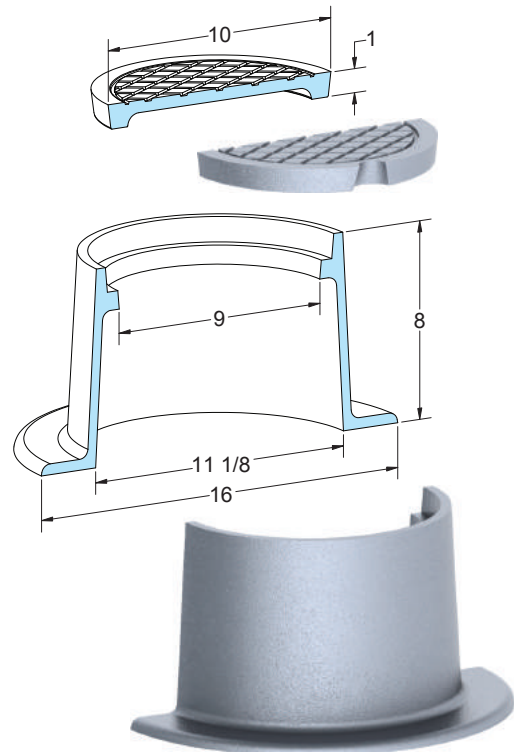
USF 7602 VALVE BOX RING AND VC COVER



USF 7610 HANDHOLE RING AND COVER SERIES



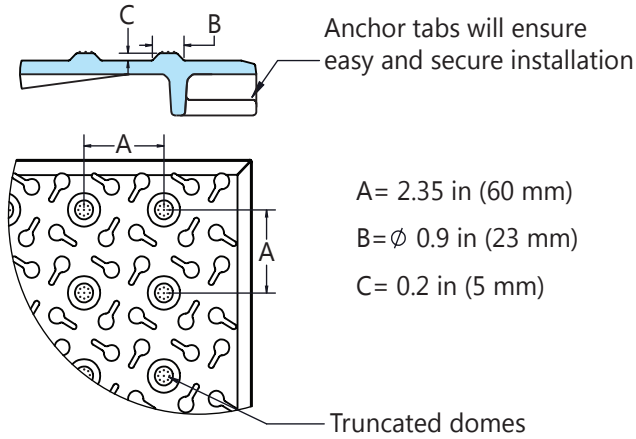
USF 7631 VALVE BOX AND QF COVER



Cover Types: **FC**(A=2 1/2), **FO**(A=3 11/16)



USF DETECTABLE WARNING PLATES

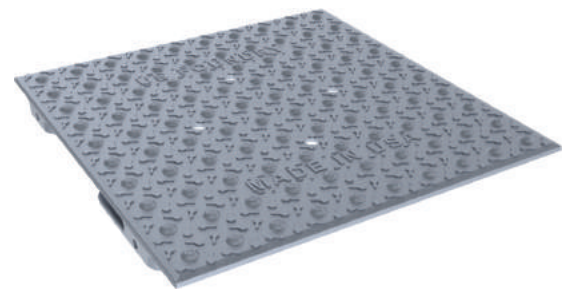
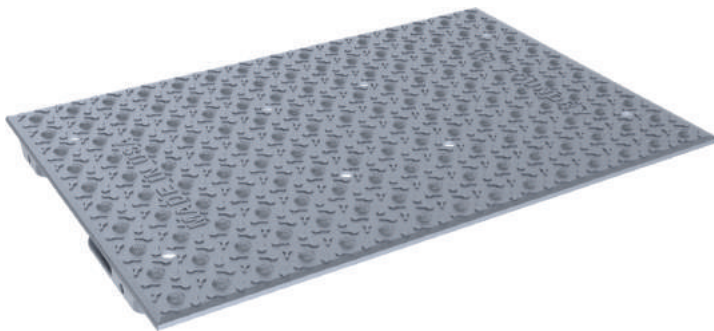
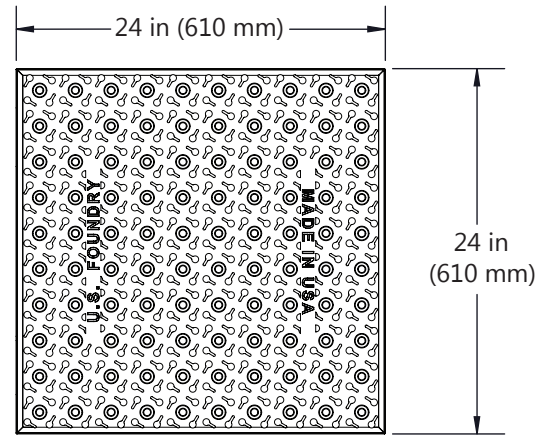
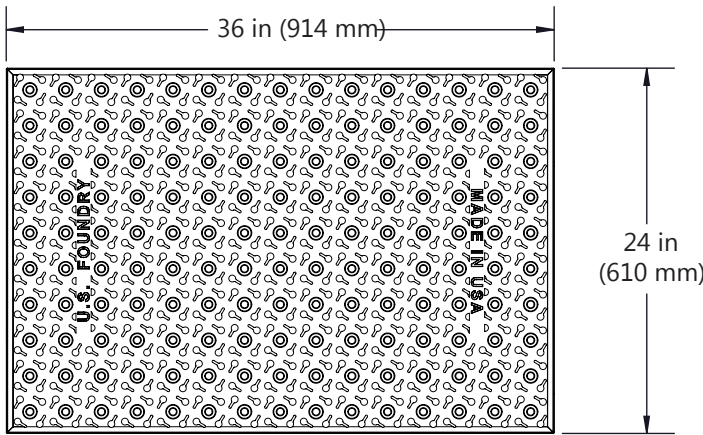


Installation Instructions:

- * Bolt multiple plates together, if required.
- * Set plates in position in pre-poured wet concrete.
- * Press plates into wet concrete so top of plate is flush.
- * Finish concrete around plates.
- * Remove any wet concrete from plate surface

US Foundry's Detectable Warning Plates Feature:

- Outstanding performance provided by the strength and durability of cast iron as compared to composite or plastic alternatives; elimination of problems like cuts, cracks, peeling, delaminating and wearing.
- Cast iron's resilient properties will guarantee many years of service life, and will withstand snow-plow abuse.
- Designed for ease of installation in concrete with integrated anchor tabs.
- Appealing aesthetics in a functional warning plate; castings have an integral non-slip texture on and between the truncated dome shapes.
- Compliance with the requirements of Americans with Disabilities Act Accessibility Guidelines (ADAAG) for Accessible Public Rights-of-Way, Section R304.



CROSS REFERENCE

Campbell	US Foundry	Page
#0602	KG	5
#1000	7601 / FH	33
#1007	266 / RU	15
#1009A	344 / QZ	4
#1012	267 / RV	15
#1012-B	692 / KV	5
#1012-D	273	3
#1030	346 / QZ	4
#1032	347 / RU	16
#1041	107 / II	15
#1182D	347 / 5847	18
#1184	346 / 5618	7
#1202	235 / IF	3
#1202A	384 / IF	4
#1202B	238 / IF	3
#1203	398 / QY	5
#1232	300 / Q	4
#1233	417 / ER	17
#1453	348 / SR	16
#1733	268 / 269 / RW	16
#1734	349 / 350 / SR	17

Campbell	US Foundry	Page
#1735	7602 / VC	33
#1793	1263 / RW	17
#2511	5236 / 6396	11
#2551	5258	20
#2564	5500	23
#2605	5265 / 6699	20
#2611	5268 / 6698	21
#2617	5236 / 6352	11
#2618	5216 / 6352	10
#2633	5243 / 6357	11
#2694	5275 / 6353	21
#2696	5297 / 6353	23
#3072	1664 / ST	18
#3131	4169 / 6698	18
#3131C	4779 / 6682	19
#3135C	4780 / 6682	19
#3405	4196 / 6352	9
#3407	4172 / 6353	19
#3408	4040 / 6040	7
#3425	4195 / 6352	8
#4155	7631 / QF	33

NEW YORK STATE DOT REFERENCE

Municipal Ref.	Campbell	USF	Description	Page
	#1012	267 / RV	Ring and Cover	15
NYS DOT	#2611	5268 / 6698	Curb and Gutter Inlet and Steel Grate	21
NYS DOT C-3, D-3	#3131	4169 / 6698	Rectangular Frame and Steel Grate	18

NASSAU COUNTY REFERENCE

Municipal Ref.	Campbell	USF	Description	Page
	#1733	268 / 269 / RW	Adjustable Ring and Cover	16
	#1733	264 / RW	Ring and Cover	15
	#1735	7602 / VC	Handhole Ring and Cover	33
	#1793	1263 / RW	Ring and Cover	17
	#2551	5258	Inlet Grate	20
	#2605	5289 / 6699	Curb and Gutter Inlet and Steel Grate	23
	#3131	4169 / 6699	Rectangular Frame and Steel Grate	18

SUFFOLK COUNTY REFERENCE

Municipal Ref.	Campbell	USF	Description	Page
	#1012	267 / RV	Ring and Cover	15
	#1453	348 / SR	Ring and Hook Lock Cover	16
	#1734	349 / 350 / SR	Adjustable Ring and Hook Lock Cover	17
	#1735	7602 / VC	Handhole Ring and Cover	33
	#2605	5265 / 6699	Curb and Gutter Inlet and Steel Grate	20
	#3131C	4779 / 6682	Rectangular Frame and Steel Grate	19
	#3135C	4780 / 6682	Rectangular Frame and Steel Grate	19

NEW YORK CITY REFERENCE

Municipal Ref.	Campbell	USF	Description	Page
	#1041	107 / II	Ring and Cover	15
	#2564	5500	Catch Basin Trap	23
	#2694	5275 / 6353	Curb and Gutter Inlet, Backplate and Grate	21
	#2696	5297 / 6353	Curb and Gutter Inlet and Grate	23
	#3407	4172 / 6353	Rectangular Frame and Grate	19

NEW JERSEY REFERENCE

Municipal Ref.	Campbell	USF	Description	Page
	#0602	KG	Rectangular Cover	5
	#1000	7601 / FH	Handhole Ring and Cover	33
	#1012	RV	Cover	15
	#1012-A	267	Ring	15
	#1012-B	692 / KV	Ring and Cover	5
	#1012-D	273	Ring	3
NJDOT 8" Deep Bell Frame 41" Flange	#1202	235 / IF	Ring and Cover	3
	#1202A	384 / IF	Ring and Cover	4
NJDOT 8" Deep Bell Frame 39" Flange	#1202B	238 / IF	Ring and Cover	3
	#1203	398 / QY	Ring and Cover	5
	#1203	398 / QZ	Ring and Cover	5
New Jersey Conversion Manhole	#1232	300 / Q	Square Flange Ring and Cover	4
NJDOT Type "D"	#2511	5236 / 6396	Curb and Gutter Inlet and Oval Grate	11
NJDOT Type "D1"	#2617	5236 / 6352	Curb and Gutter Inlet and Grate*	11
NJDOT Type "D"	#2617	5236 / 6352	Curb and Gutter Inlet and Grate*	11
NJDOT Type "D"	#2617	5236 / 6372	Curb and Gutter Inlet and ADA Grate	11
NJDOT Type "B"	#2618	5216 / 6352	Curb and Gutter Inlet, Backplate and Grate*	10
NJDOT Type "B"	#2618	5216 / 6352	Driveway Access Plate and Grate*	10
NJDOT Type "A"	#3405	4196 / 6352	Rectangular Frame and Grate*	9
NJDOT Type "FAT A"	#3408	4040 / 6040	Rectangular Frame and Grate	7
NJDOT Type "E"	#3425	4195 / 6352	Rectangular Frame and Double Grate*	8
	#4155	7631 / QF	Valve Box Ring and Cover	33
	#4173	7610 / FC	Handhole Ring and Cover	33

*6352 Grate - Bicycle Safe Grate