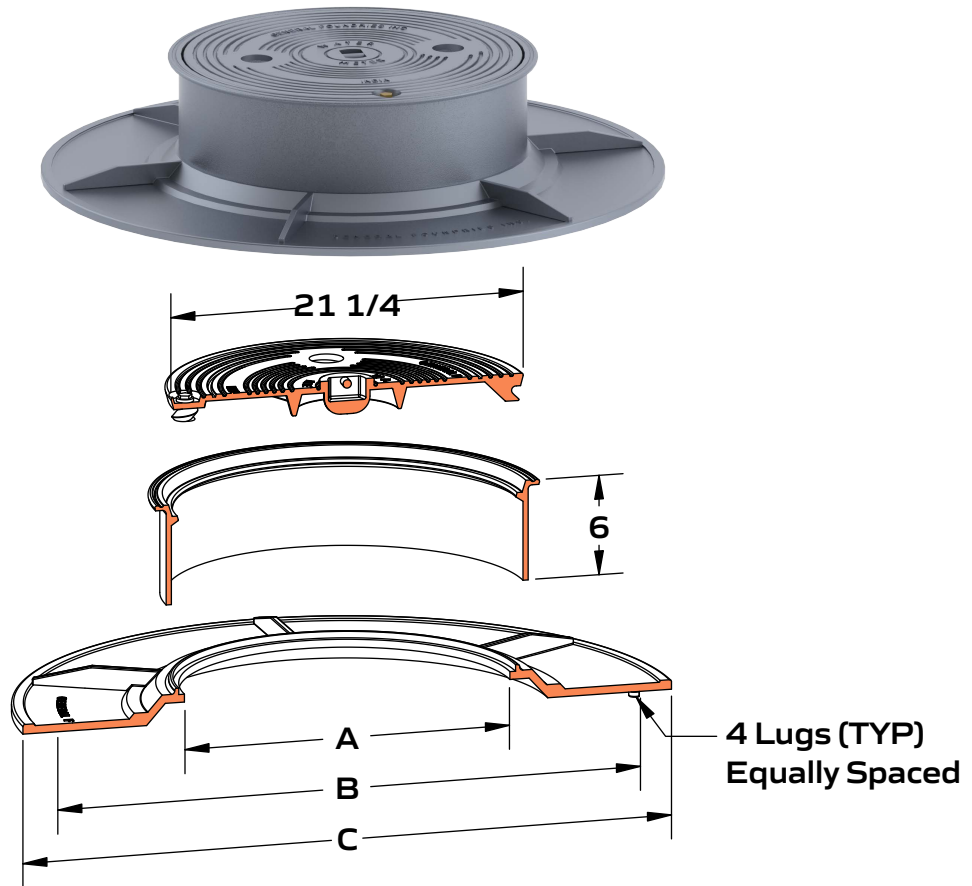


PRODUCT #5M36T (Shown)  
 Monitor Frame, Lid & Flange - 2 Touch Read Holes



Available Markings  
 Water Meter

| Product | A  | B      | C  | Tile Inner Dia. |
|---------|----|--------|----|-----------------|
| 5M24T   | 20 | 23-1/4 | 27 | 24              |
| 5M30T   | 20 | 29-1/4 | 33 | 30              |
| 5M36T   | 20 | 35-1/4 | 39 | 36              |

Bolts  
 Silicon Bronze. Pentagon Shaped Head.  
 27/32" Standard Size, Please specify if 1-1/32" is required

Notes  
 Frost Lid Available



Light Duty



ASTM A48



Gray Iron Class 35B



Risers Available