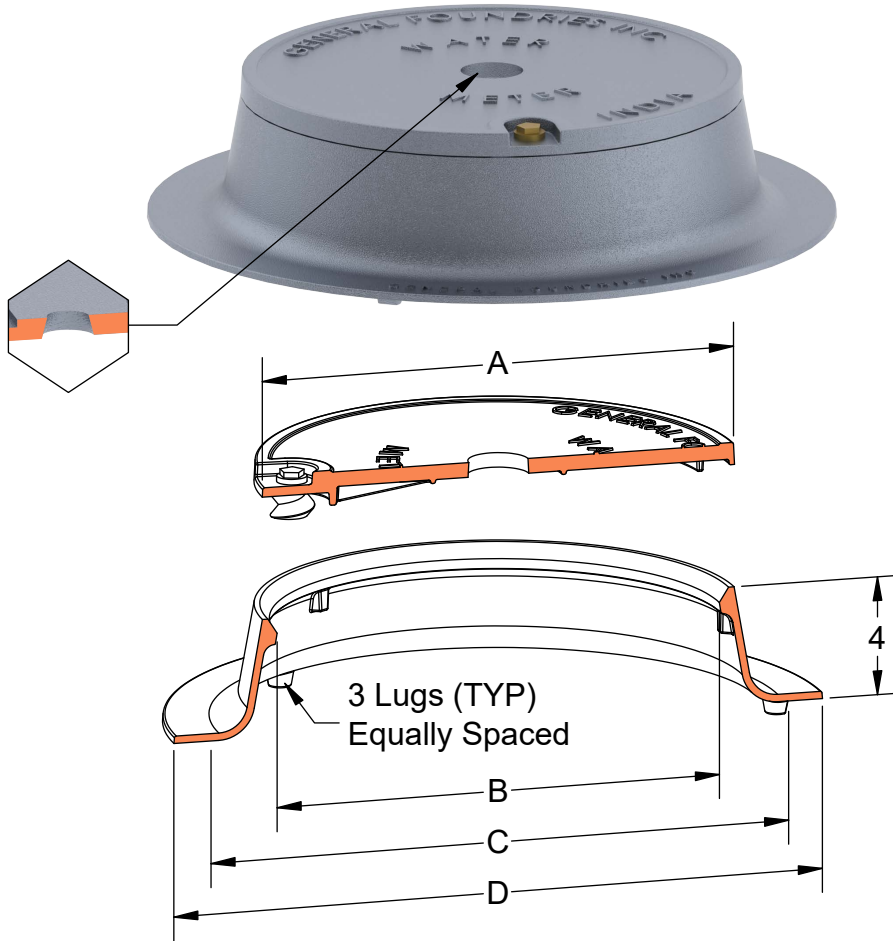


**PRODUCT #5C52T** (Shown)  
C Style Frame & Lid - Touch Read Hole



**Available Markings**  
Water Meter

| Product | A      | B      | C      | D      | Tile Inner Dia. |
|---------|--------|--------|--------|--------|-----------------|
| 5C32T   | 12-1/2 | 11-1/2 | 17-1/2 | 20-1/8 | 18              |
| 5C03T   | 12-1/2 | 11-1/2 | 19-1/2 | 22-1/8 | 20              |
| 5C04T   | 12-1/2 | 11-1/2 | 20-1/2 | 23     | 21              |
| 5C52T   | 16     | 15     | 17-1/2 | 20-1/8 | 18              |
| 5C53T   | 16     | 15     | 19-1/4 | 22     | 20              |

**Bolts**

Silicon Bronze. Pentagon Shaped Head.  
27/32" Standard Size, Please specify if 1-1/32" is required



Light Duty



ASTM A48



Gray Iron Class 35B



Risers Available