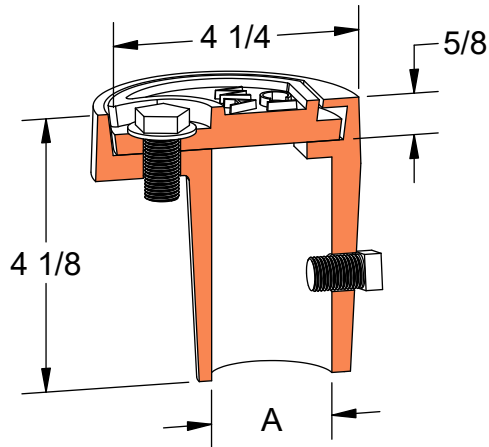


PRODUCT #4W200 (Shown)
Western Repair Lid



Product	A
4W125	1-1/4
4W150	1-1/2
4W200	2



ASTM
A48



Gray Iron
Class 30B