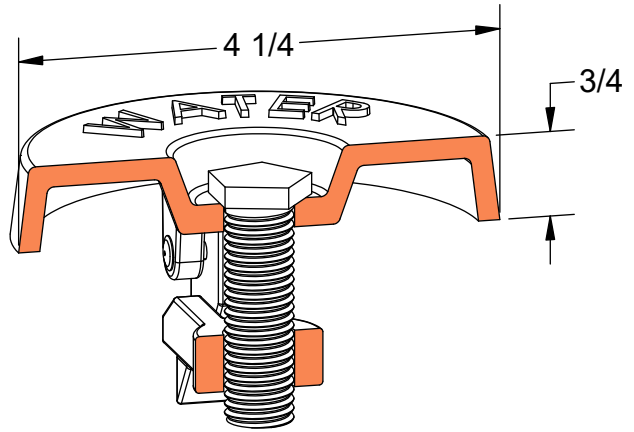
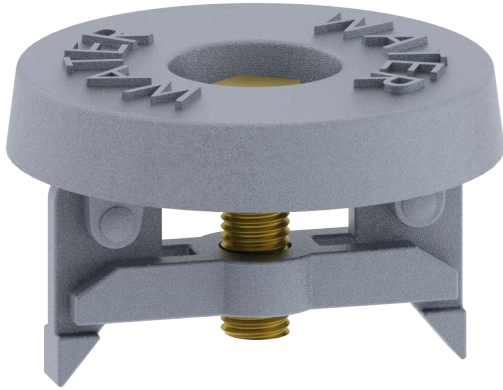


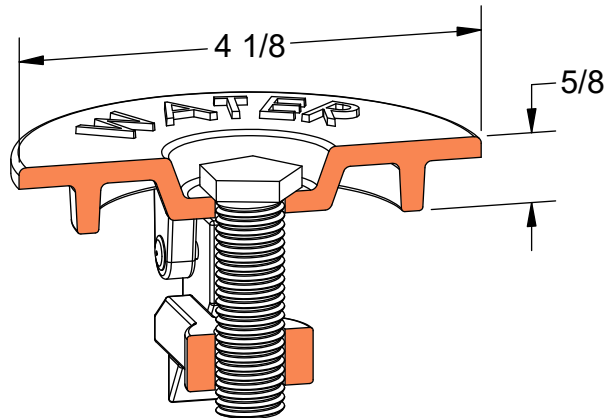
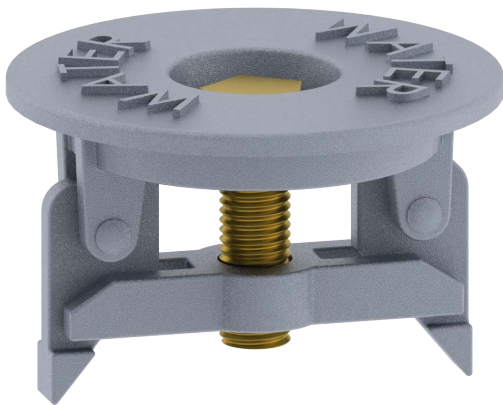
PRODUCT #36700

Outer Repair Lid



PRODUCT #36701

Inner Repair Lid



ASTM
A48



Gray Iron
Class 30B