

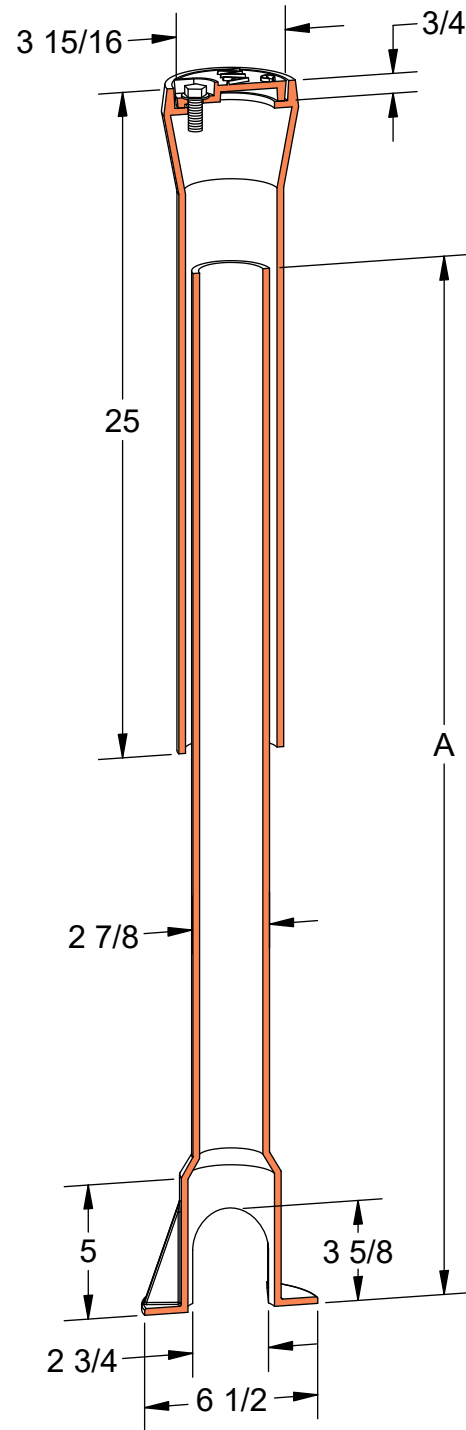
PRODUCT #36094E (Shown)
Slip Type



Product	A	Range
36094E	39	42 - 60
36095E	47	41 - 64
36100E	60	54 - 72

Available Markings

Gas
Sewer
Water



ASTM
A48



Gray Iron
Class 30B