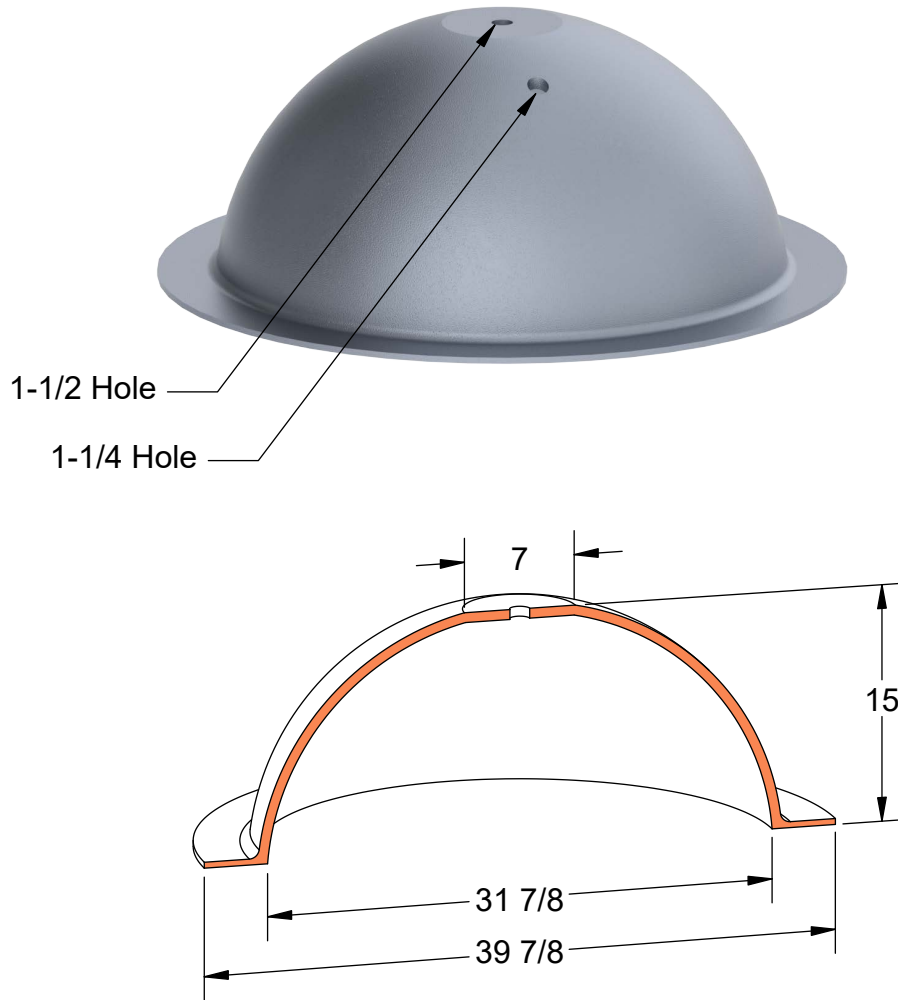


PRODUCT #34435

NYC Hydrant Drain Base



Notes

Conforms to NYCDEP STD. DWG. 22809-Z



ASTM
A48



Gray Iron
Class 35B