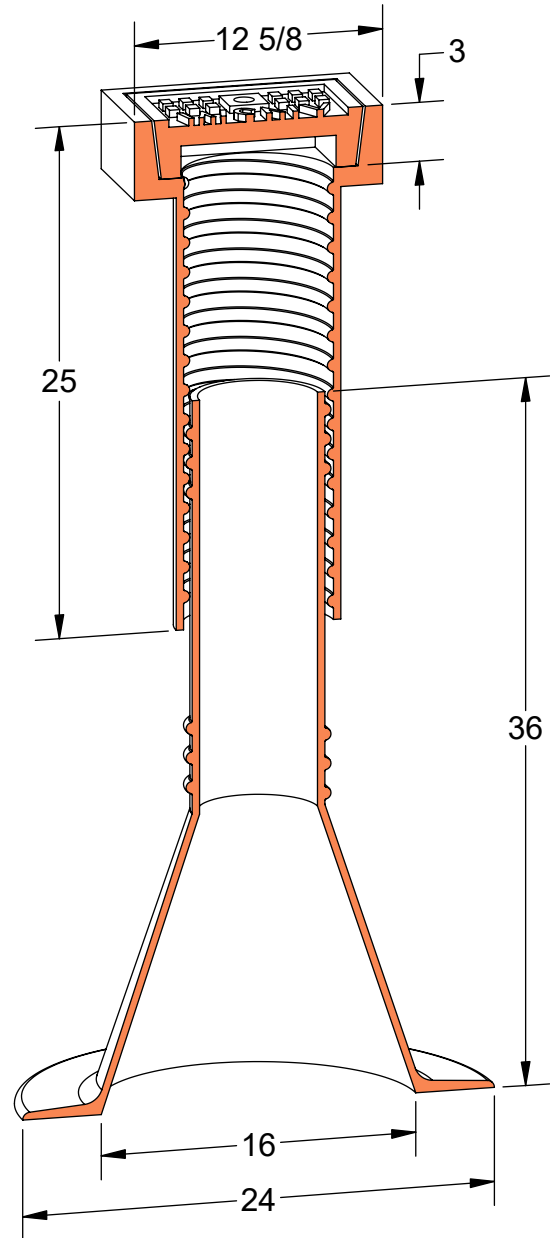


PRODUCT #34425

NYC Hydrant Valve Box



Notes

Conforms to NYCDEP STD. DWG. 10241-A-Z



Heavy
Duty



ASTM
A48



Gray Iron
Class 35B