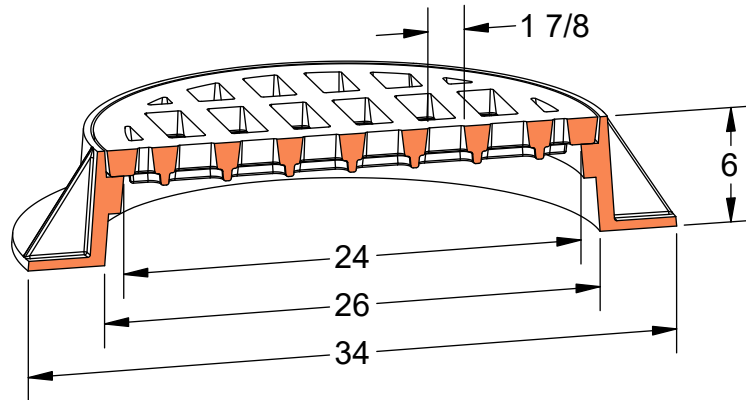
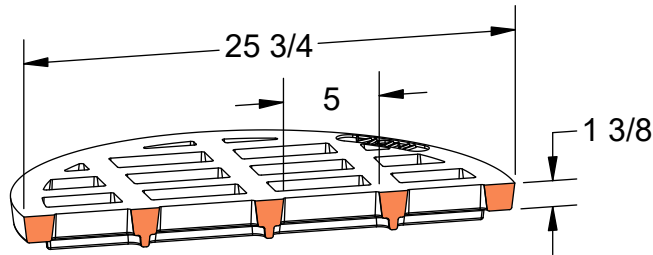


PRODUCT #12662-SLT  
25-3/4" x 6" Frame & Grate



Flow Area  
~175 in<sup>2</sup>



Heavy Duty



AASHTO M306



ASTM A48



Gray Iron Class 35B



Solid Cover Available



Risings Available