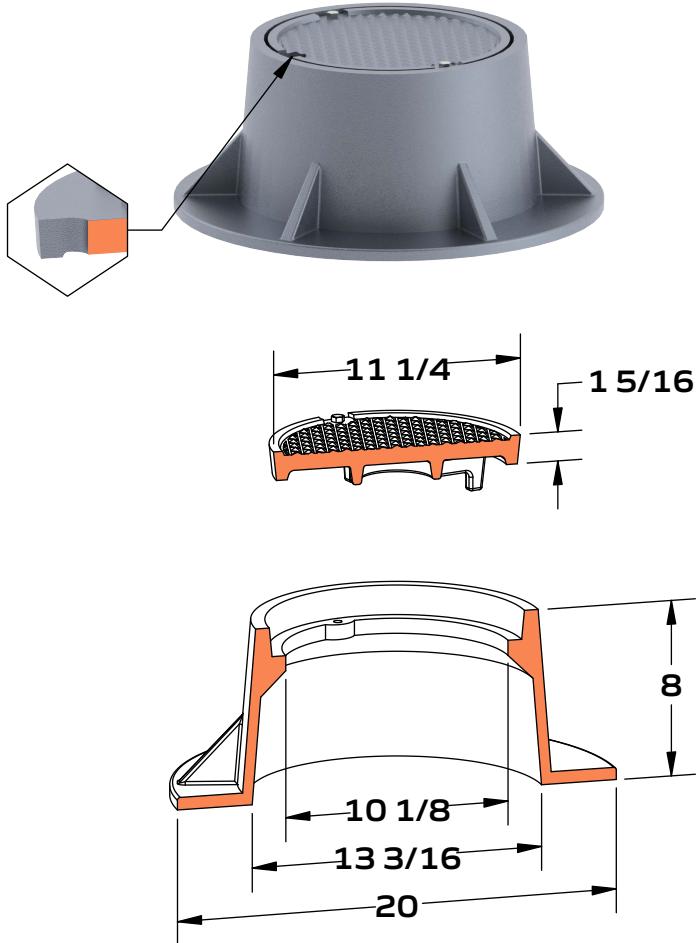


PRODUCT #11181-BLT
Bolted Frame & Cover for 10" Cleanout



Available Markings

- Cleanout
- Drain
- Plain
- Sanitary
- Sewer
- Storm



Heavy Duty



AASHTO M306



ASTM A48



Gray Iron Class 35B



Bolted