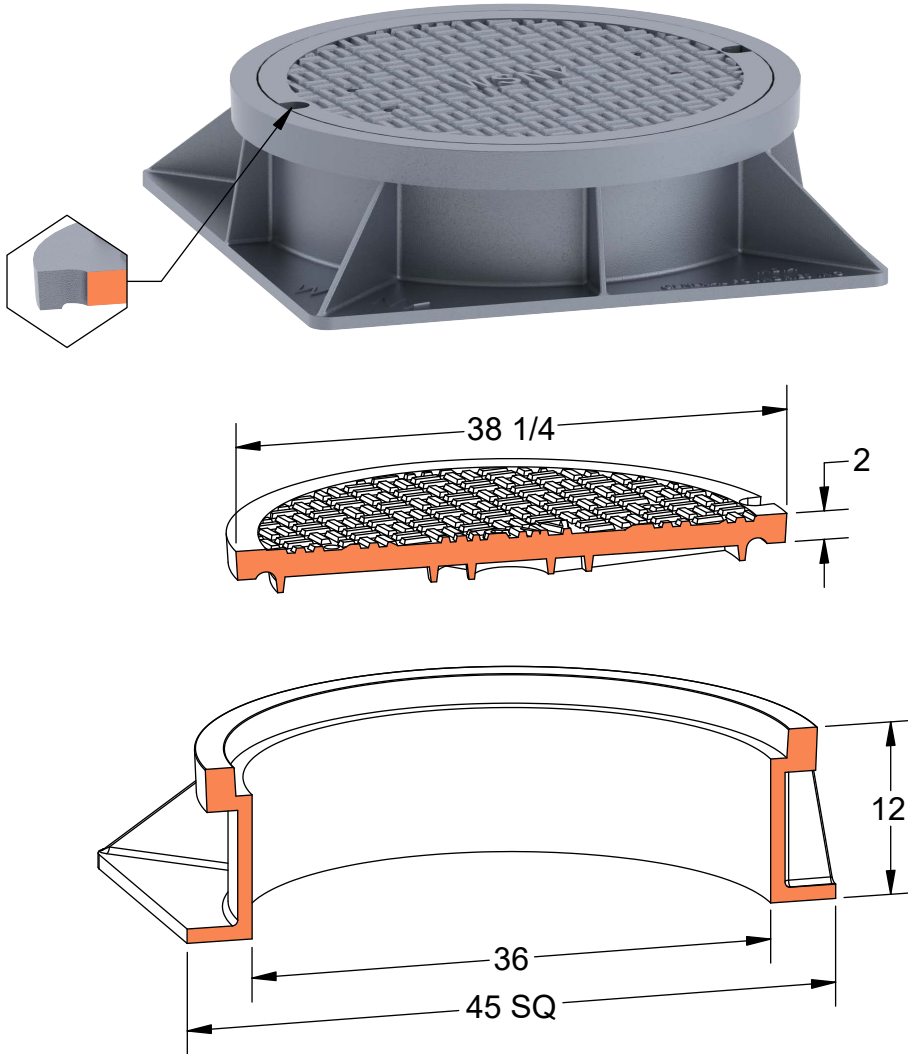


**PRODUCT #13812**

36" x 12" Access Frame & Cover



**Available Markings**

WSNY

**Notes**

Conforms to NYCDEP STD. DWG 18583-Z



Heavy  
Duty



AASHTO  
M306



ASTM  
A48



Gray Iron  
Class 35B