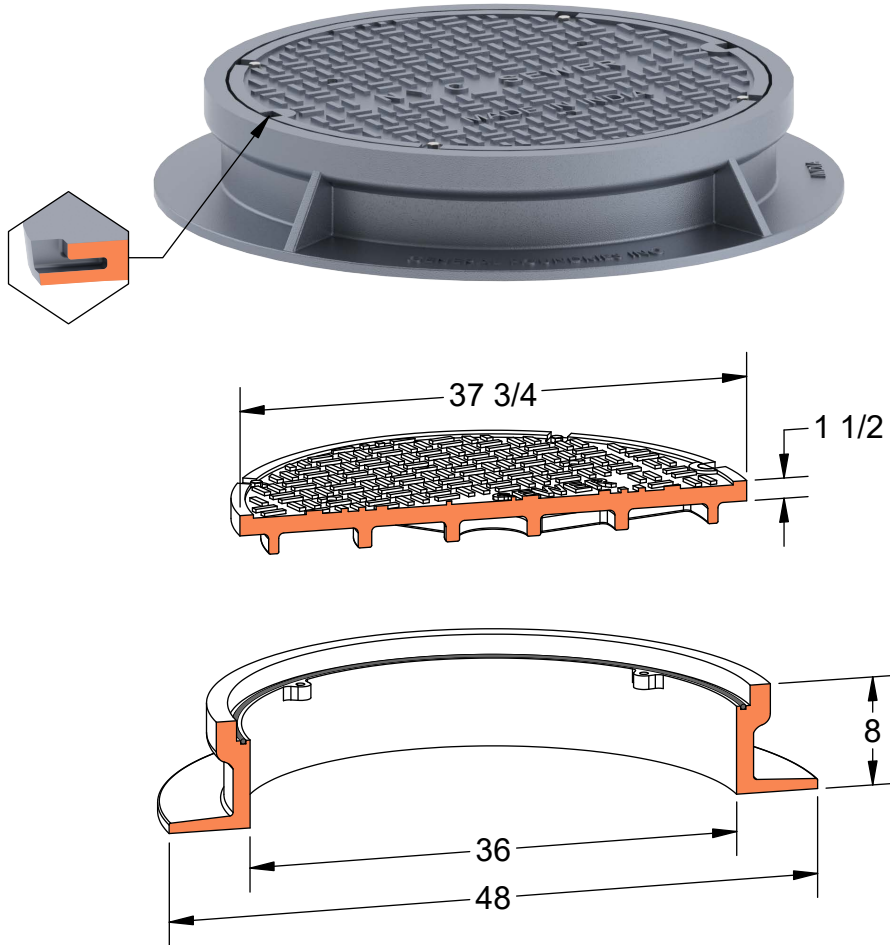


PRODUCT #13685-WT
36" Cleanout Watertight Frame & Cover



Available Markings

NYC Sewer

Notes

Conforms to NYCDEP STD. DWG. SE41



Heavy Duty



AASHTO M306



ASTM A48



Gray Iron Class 35B



Bolted



Gasket



Watertight