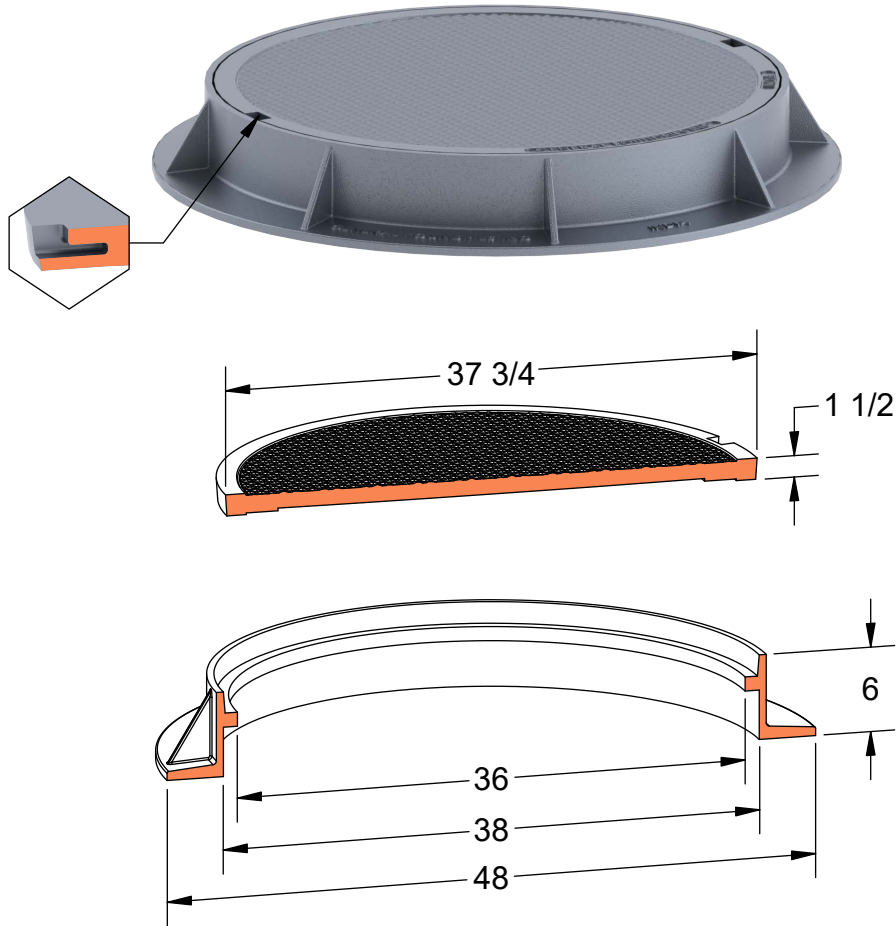


**PRODUCT #13661**

37-3/4" x 6" Frame & Cover



**Available Markings**

- Communication
- Drain
- Electric
- Plain
- Sewer
- Steam
- Telephone



Heavy Duty



AASHTO M306



ASTM A48



Gray Iron Class 35B



Grates Available