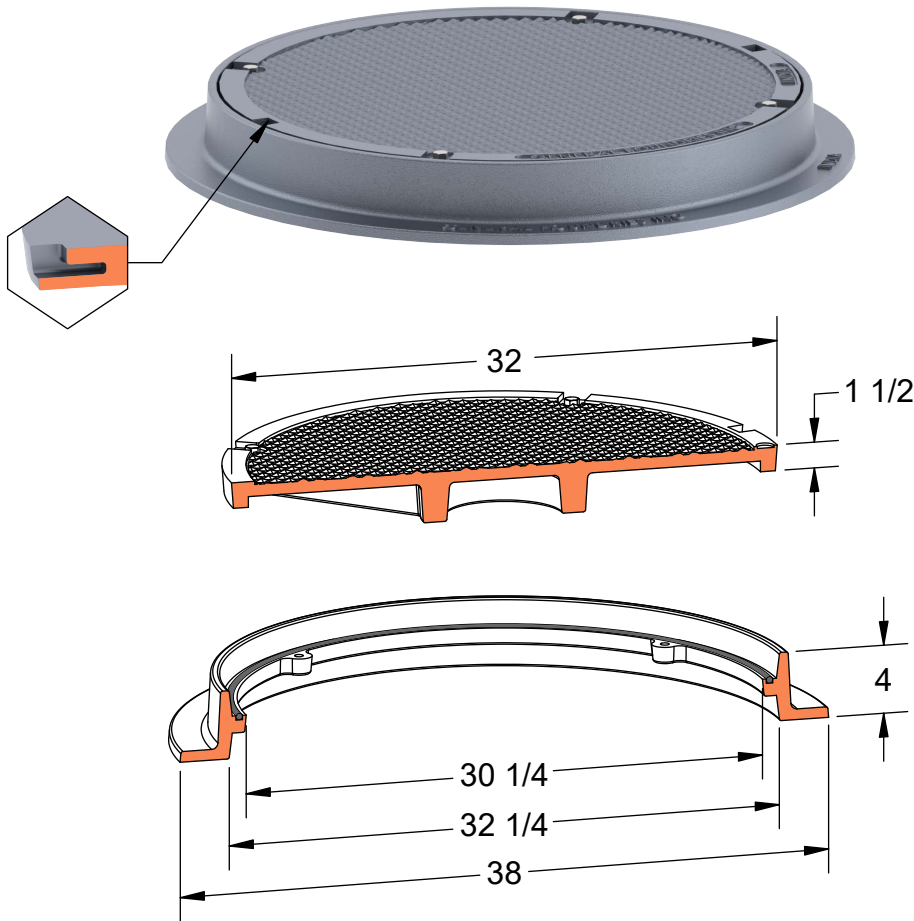


**PRODUCT #13241-WT**

32" x 4" Watertight Frame & Cover



**Available Markings**

- Plain
- Sewer
- Storm



Heavy Duty



AASHTO M306



ASTM A48



Gray Iron Class 35B



Bolted



Gasket



Watertight