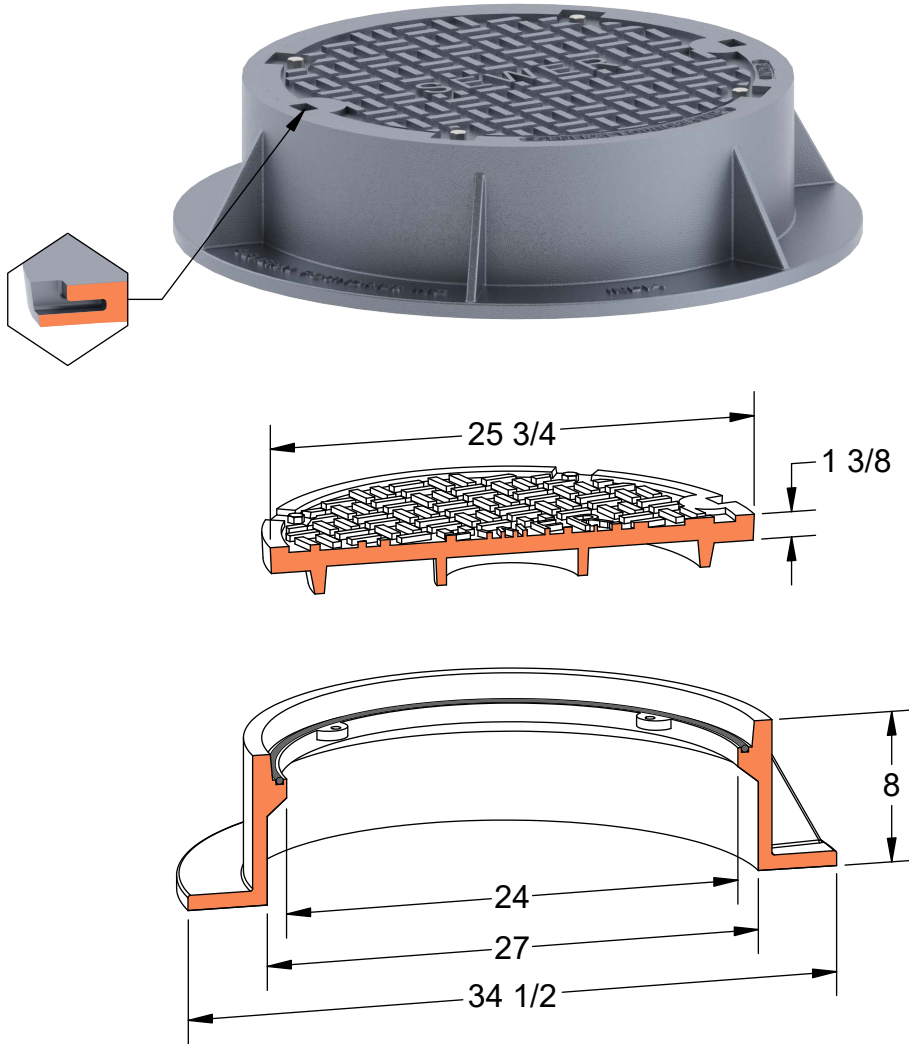


PRODUCT #12681-WT
25-3/4" x 8" Watertight Frame & Cover



Available Markings

- Plain
- Sanitary Sewer
- Sewer
- Storm
- Storm Sewer



Heavy Duty



AASHTO M306



ASTM A48



Gray Iron Class 35B



Bolted



Gasket



Watertight