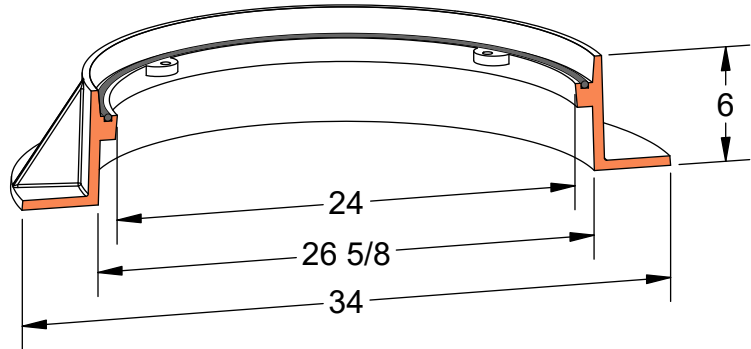
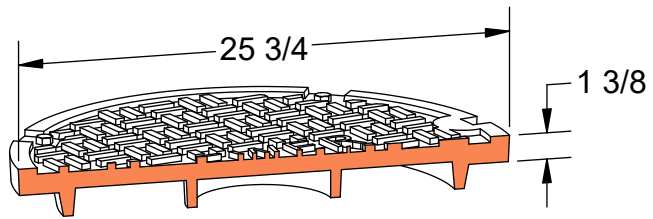


PRODUCT #12661-WT
25-3/4" x 6" Watertight Frame & Cover



Available Markings

Plain
Sewer



Heavy Duty



AASHTO M306



ASTM A48



Gray Iron Class 35B



Bolted



Gasket



Watertight