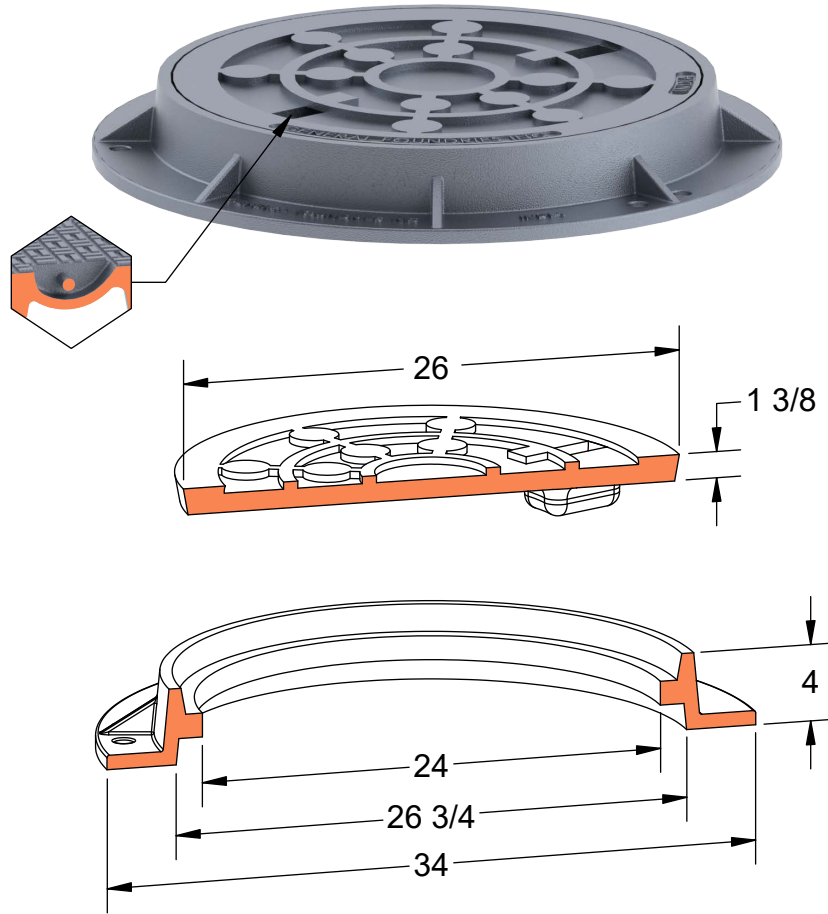


PRODUCT #12633

26" x 4" Frame & Cover



Available Markings

Sanitary Sewer

Options

No Vent Holes

4 Vent Holes



Heavy
Duty



AASHTO
M306



ASTM
A48



Gray Iron
Class 35B