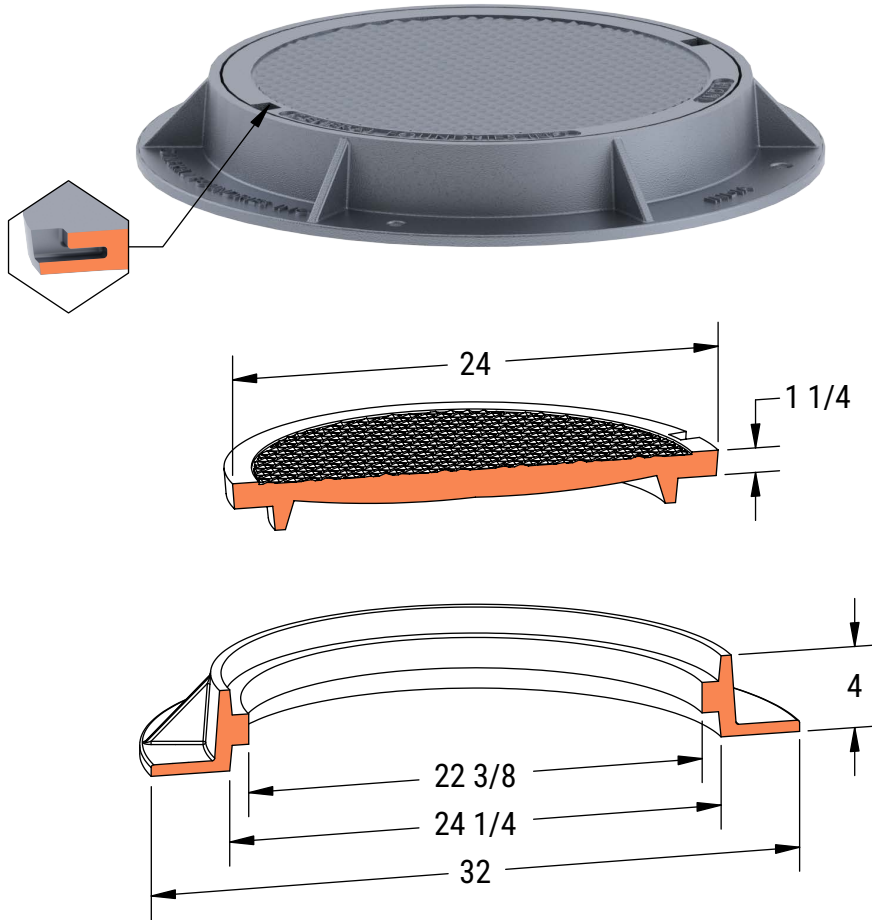


PRODUCT #12441
24" x 4" Frame & Cover



Available Markings

Communication

- Drain
- Electric
- Gas
- Plain
- Sewer
- Storm
- Telephone
- Water



Heavy
Duty



AASHTO
M306



ASTM
A48



Gray Iron
Class 35B



Grates
Available



Risers
Available