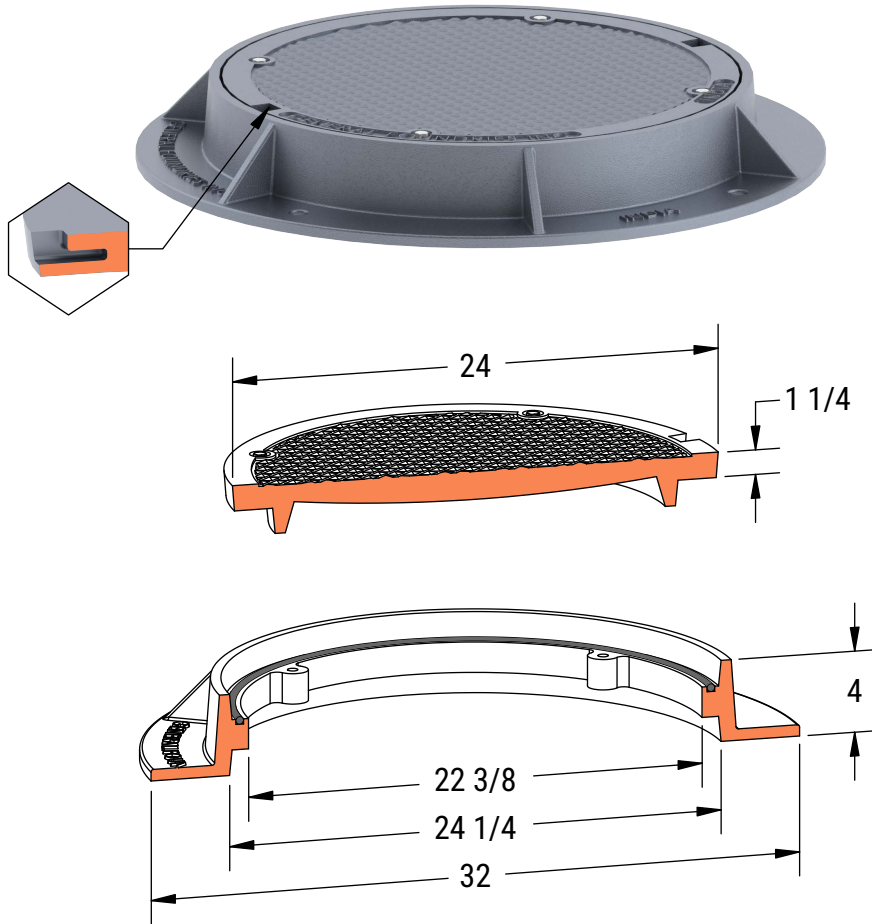


PRODUCT #12441-WT
24" x 4" Watertight Frame & Cover



Available Markings

- Drain
- Electric
- Plain
- Sewer



Heavy Duty



AASHTO M306



ASTM A48



Gray Iron Class 35B



Bolted



Gasket



Watertight