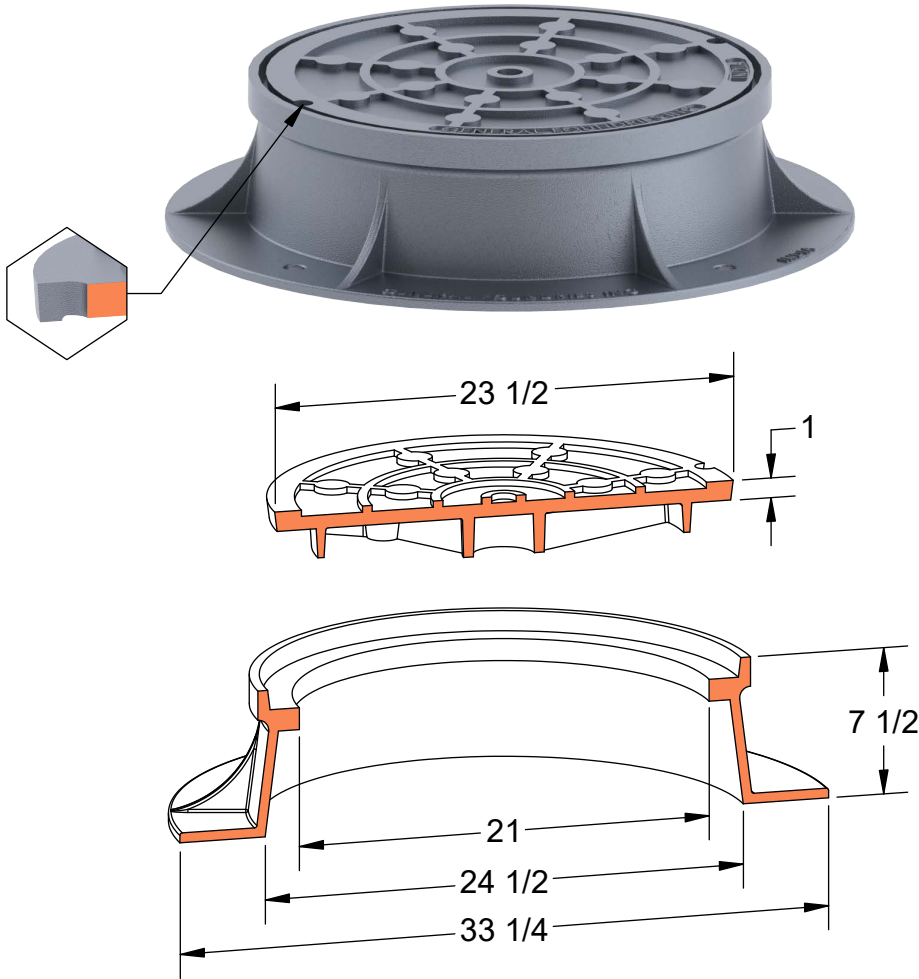


PRODUCT #12371

23-1/2" x 7-1/2" Frame & Cover



Available Markings

- Plain
- Sanitary Sewer
- Storm Sewer
- Water

Options

- No Vent Hole
- 1 Vent Hole
- 2 Vent Hole
- 4 Vent Hole



Heavy Duty



AASHTO M306



ASTM A48



Gray Iron Class 35B



Risers Available