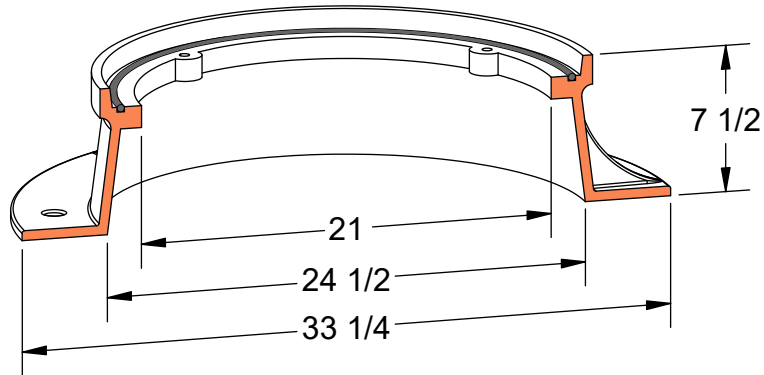
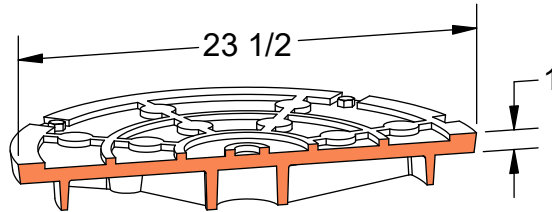


PRODUCT #12371-WT

23-1/2" x 7-1/2" Watertight Frame & Cover



Available Markings

- Plain
- Sanitary Sewer
- Storm Sewer
- Water



Heavy Duty



AASHTO M306



ASTM A48



Gray Iron Class 35B



Bolted



Gasket



Watertight