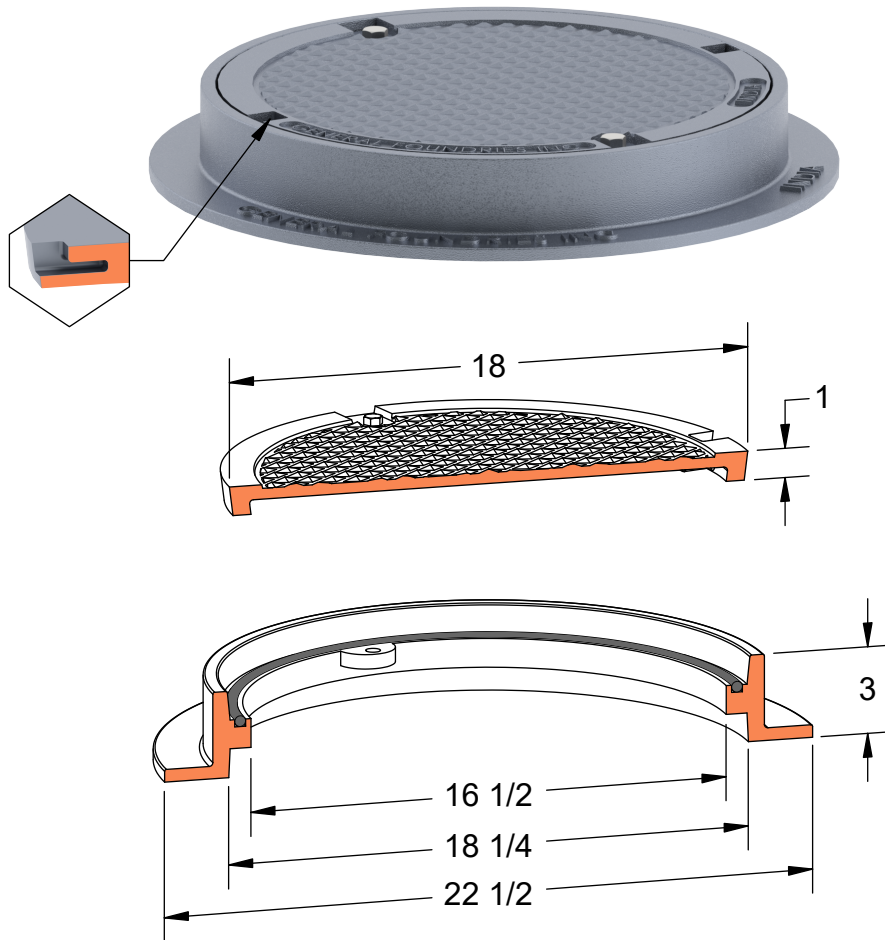


PRODUCT #11831-WT

18" x 3" Watertight Frame & Cover



Available Markings

Plain
Sewer

Options

Bolted Only
(11831-BLT)

Gasketed Only
(11831-GSK)



Light
Duty



ASTM
A48



Gray Iron
Class 35B



Bolted



Gasket



Watertight