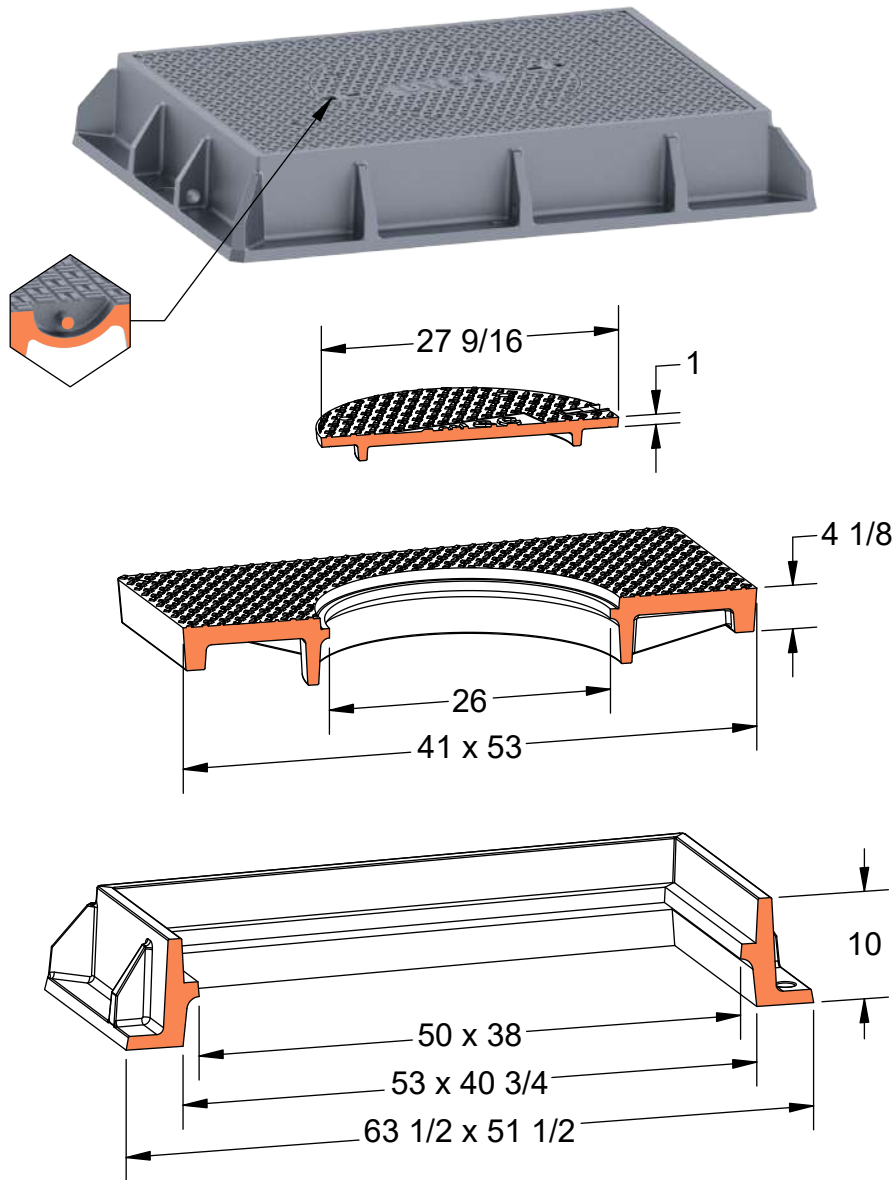


PRODUCT #BSGMH

BWSC G Duo Frame & Cover



Available Markings
BWSC



Heavy
Duty



AASHTO
M306



ASTM
A48



Gray Iron
Class 35B