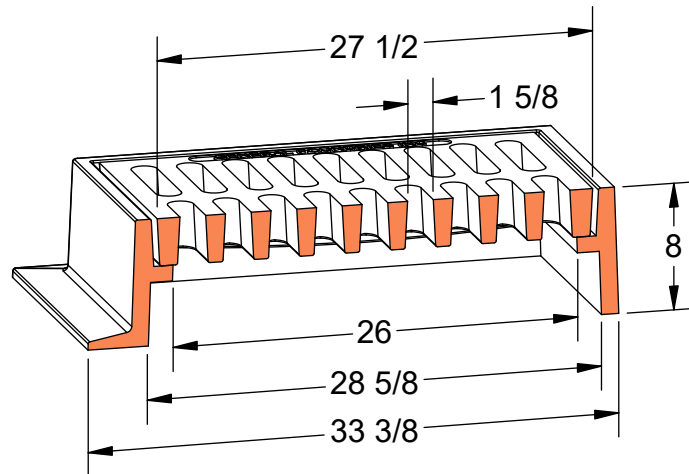
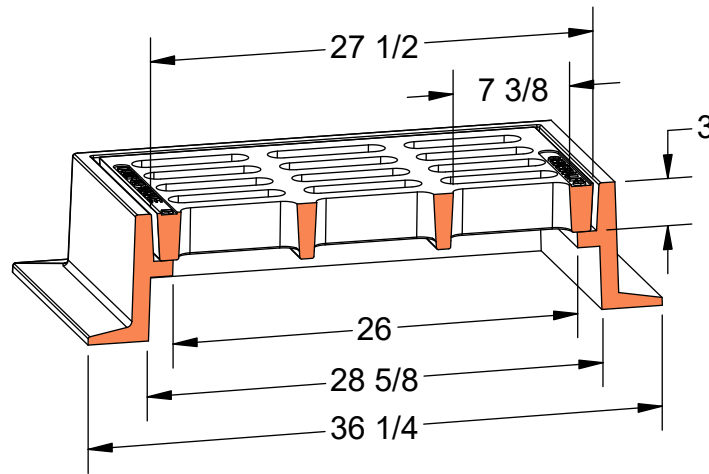


PRODUCT #BSE83

BWSC E 8" 3 Flange Frame & Grate



Flow Area
~305 in²



Heavy Duty



AASHTO M306



ASTM A48



Gray Iron Class 35B



Bicycle Safe