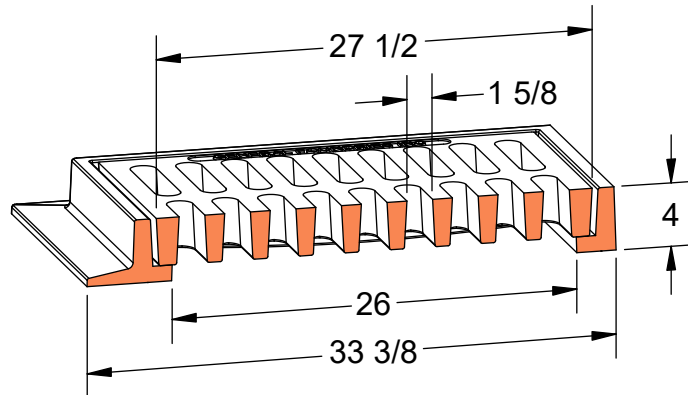
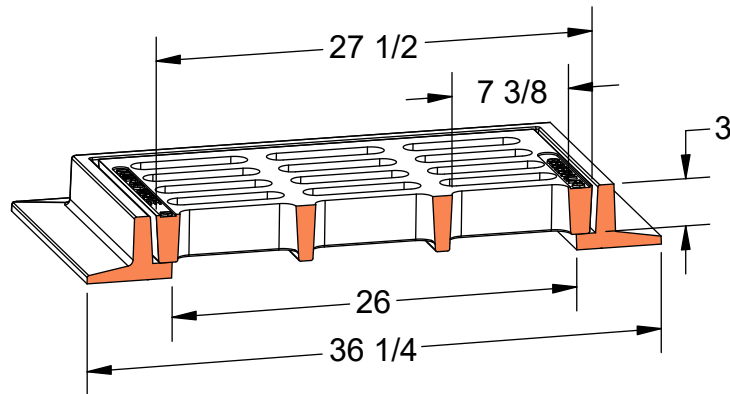


PRODUCT #BSE43

BWSC E 4" 3 Flange Frame & Grate



Flow Area  
~305 in<sup>2</sup>



Heavy Duty



AASHTO M306



ASTM A48



Gray Iron Class 35B



Bicycle Safe