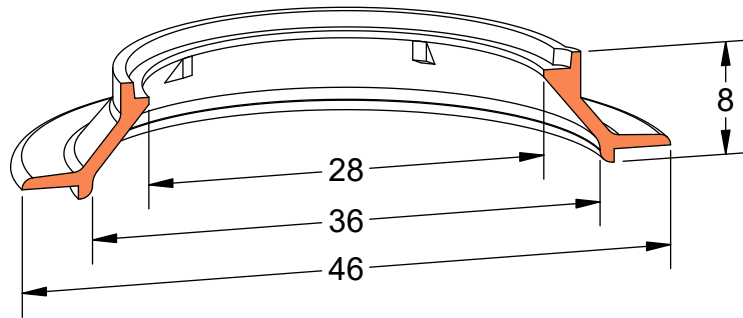
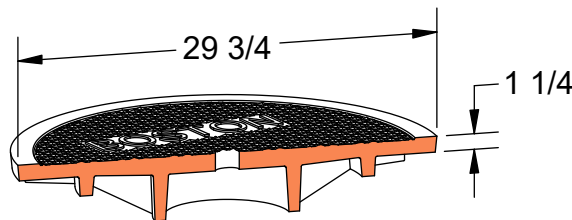


PRODUCT #BSB5
BWSC B5 Frame & Cover



Available Markings
Boston Drain
Boston Sewer



Heavy Duty



AASHTO M306



ASTM A48



Gray Iron Class 35B