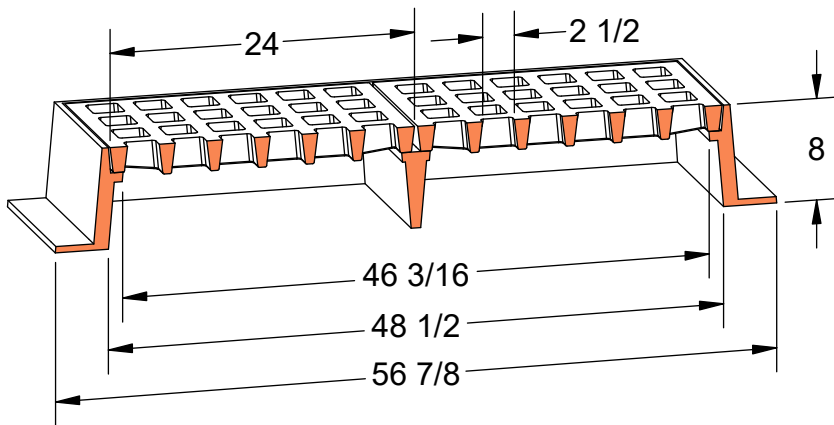
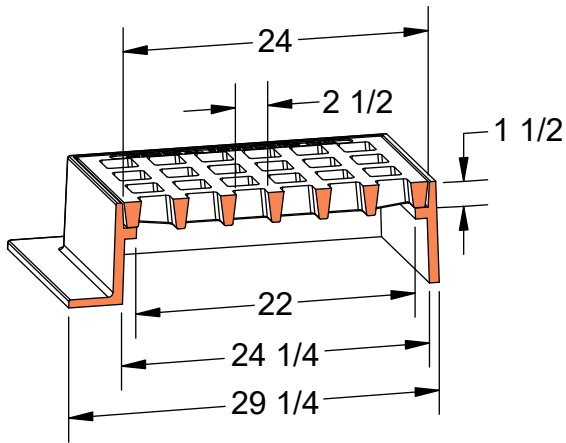


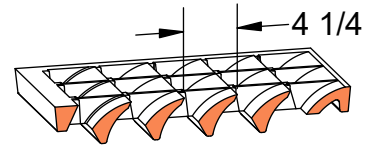
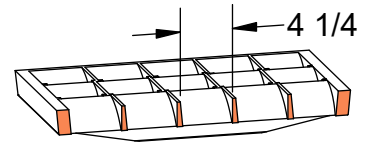
**PRODUCT #24883-SQH**

New England 8" 3 Flange Frame & Grate



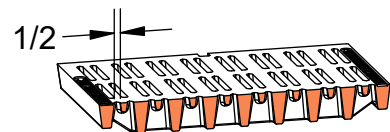
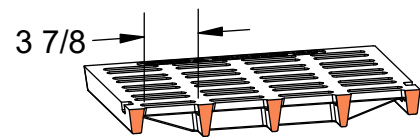
**Flow Area**  
~225 in<sup>2</sup>

**24883-CAS**



**Flow Area**  
~450 in<sup>2</sup>

**24883-ADA**



**Flow Area**  
~140 in<sup>2</sup>



Heavy Duty



AASHTO M306



Gray Iron Class 35B



Solid Cover Available



Risers Available



ADA Compliant