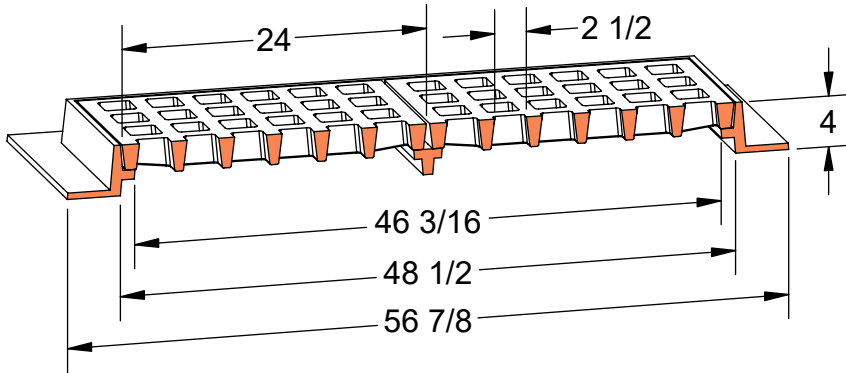
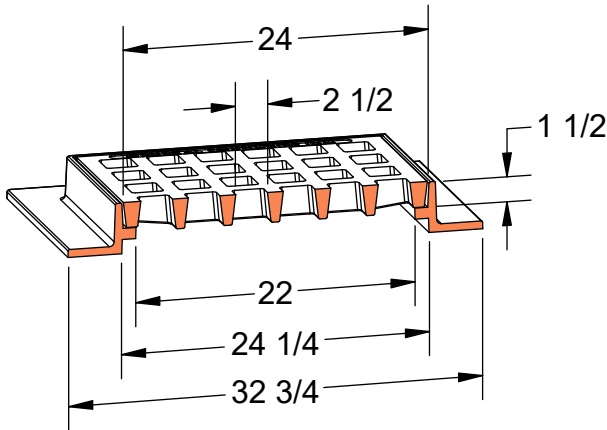


CATCH BASIN FRAMES & GRATES



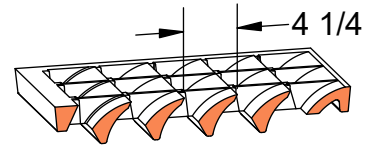
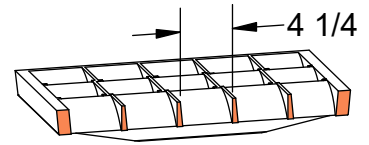
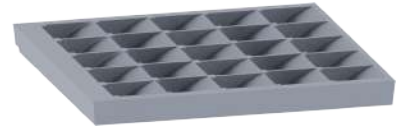
PRODUCT #24844-SQH

New England 4" 4 Flange Frame & Grate



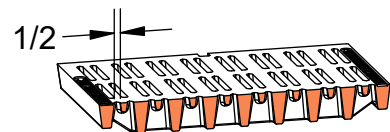
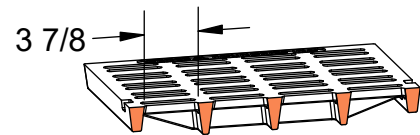
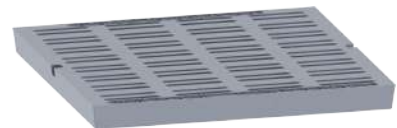
Flow Area
~225 in²

24844-CAS



Flow Area
~450 in²

24844-ADA



Flow Area
~140 in²



Heavy Duty



AASHTO M306



Gray Iron Class 35B



Solid Cover Available



Risers Available



ADA Compliant