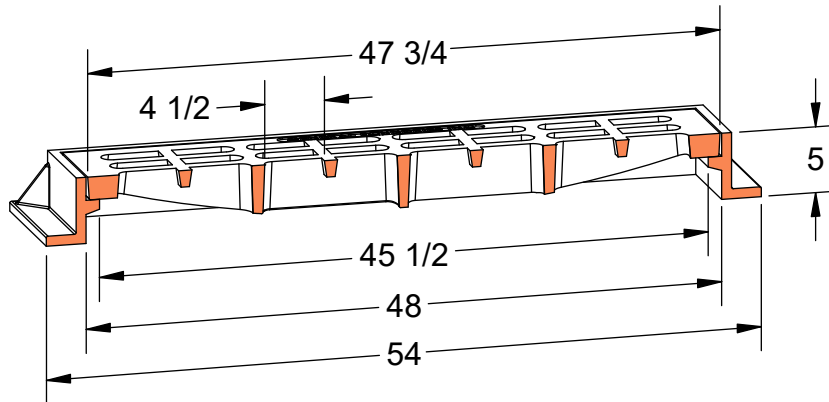
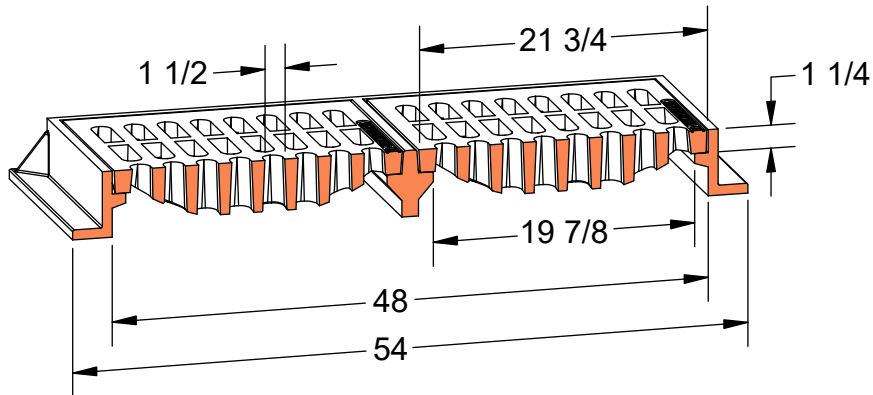


PRODUCT #23425
E-Inlet Frame & Grates



Flow Area
~415 in²



Heavy
Duty



AASHTO
M306



ASTM
A48



Gray Iron
Class 35B



Bicycle
Safe