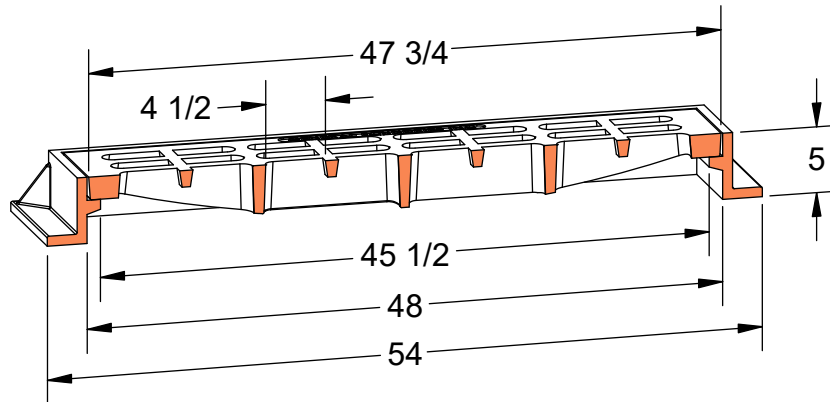
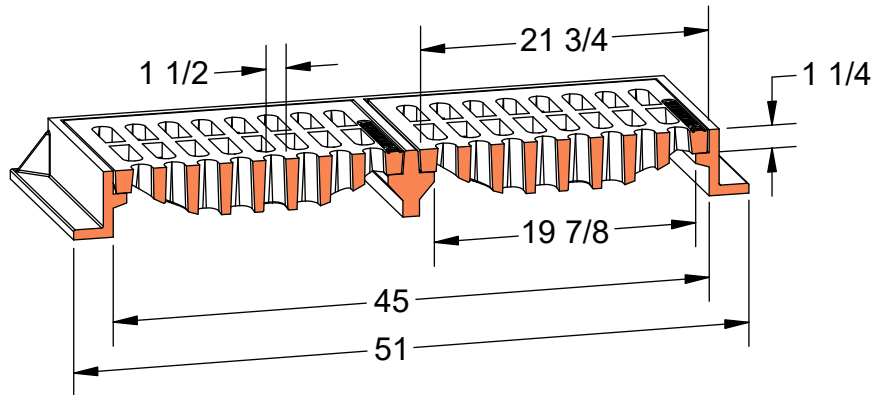


INLET FRAMES & GRATES



PRODUCT #23425

E-Inlet Frame & Grates



Flow Area
~415 in²



Heavy Duty



AASHTO M306



ASTM A48



Gray Iron Class 35B



Bicycle Safe