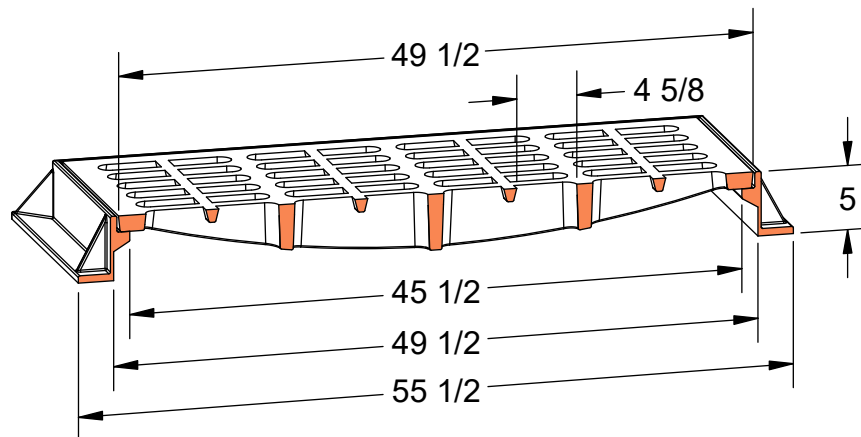
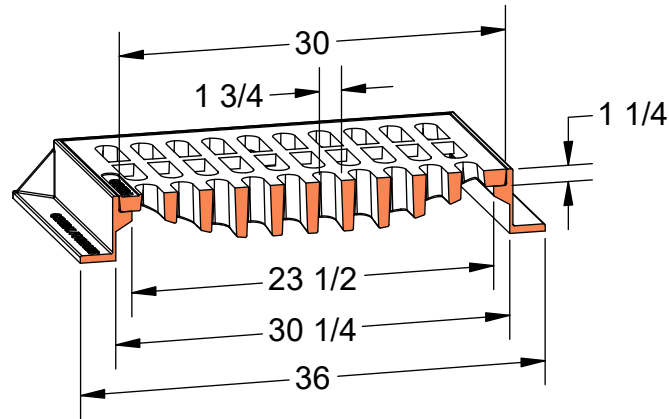


PRODUCT #23408

30" x 49" Frame & Grate



Flow Area  
~600 in<sup>2</sup>



Heavy Duty



AASHTO M306



ASTM A48



Gray Iron Class 35B



Bicycle Safe