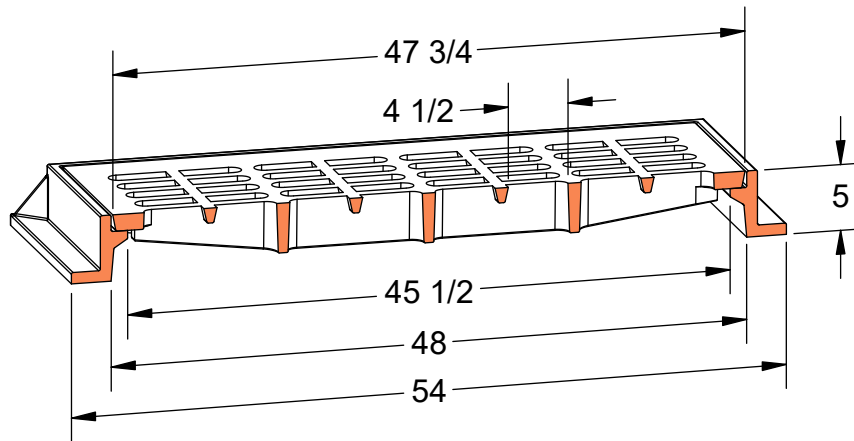
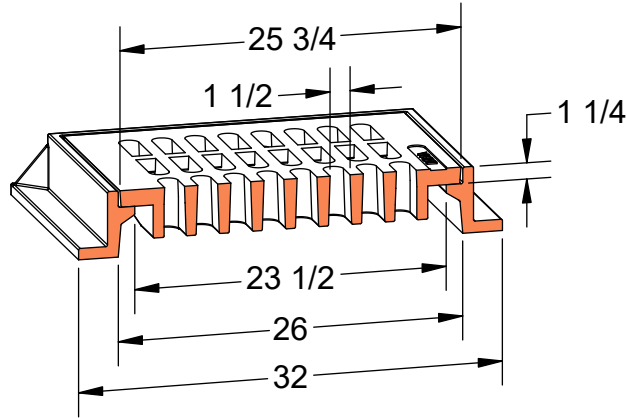


PRODUCT #23407
NYC Type 2 Frame & Grate



Flow Area
~415 in²

Notes

Frame conforms to NYCDEP STD. DWG. SE58A
Grate and Back Plate conforms to NYCDEP STD. DWG. SE59A & SE59B



Heavy Duty



AASHTO M306



ASTM A48



Gray Iron Class 35B



Bicycle Safe