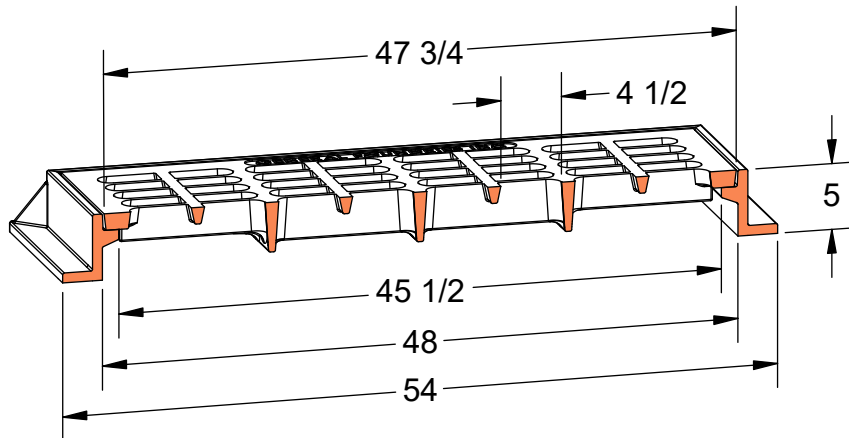
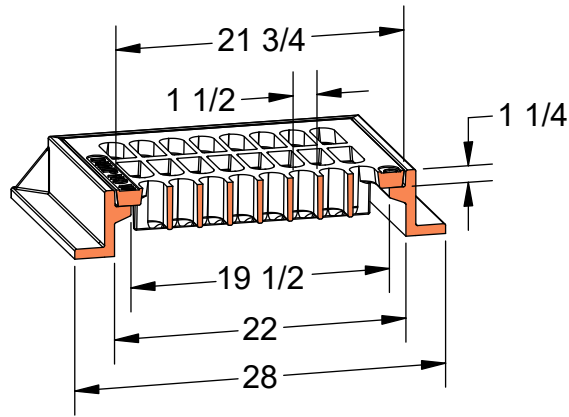


**PRODUCT #23405**  
A-Inlet Frame & Grate



**Flow Area**  
~415 in<sup>2</sup>



Heavy Duty



AASHTO M306



ASTM A48



Gray Iron Class 35B



Bicycle Safe