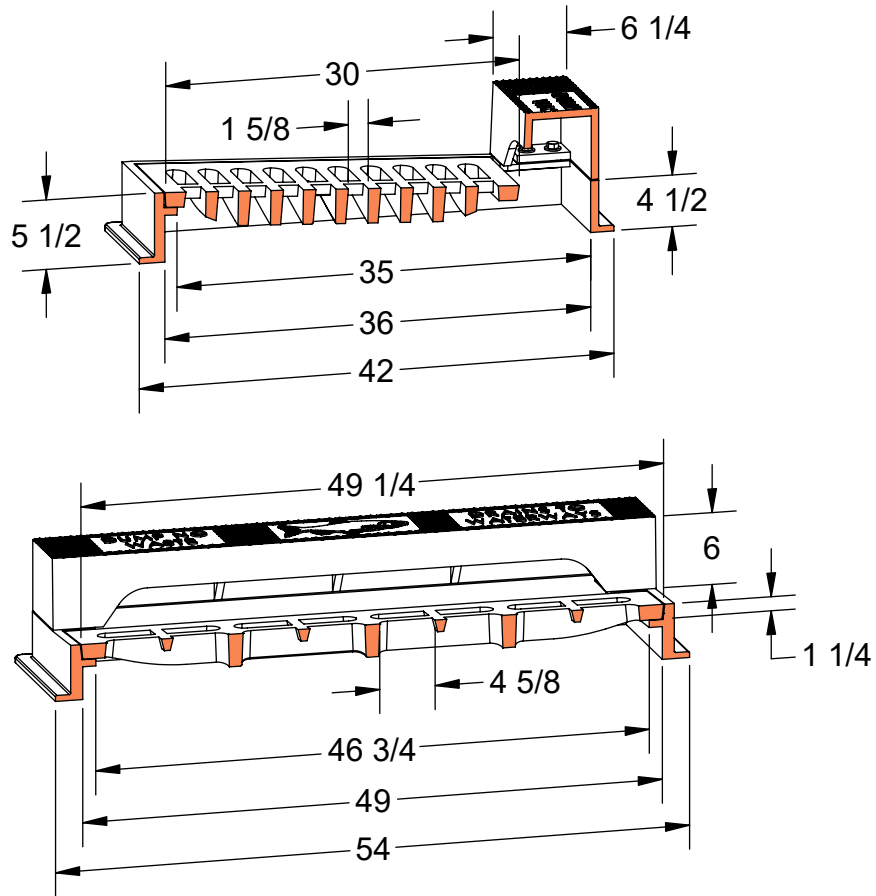
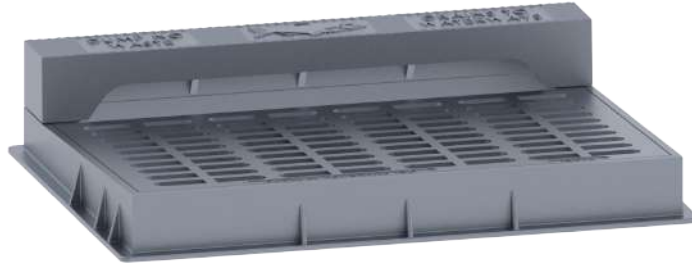


PRODUCT #22639-6R

36" x 49" Frame, Grate, 6" Curb (R-Style)



Flow Area

~600 in²



Heavy Duty



AASHTO M306



ASTM A48



Gray Iron Class 35B



Bicycle Safe