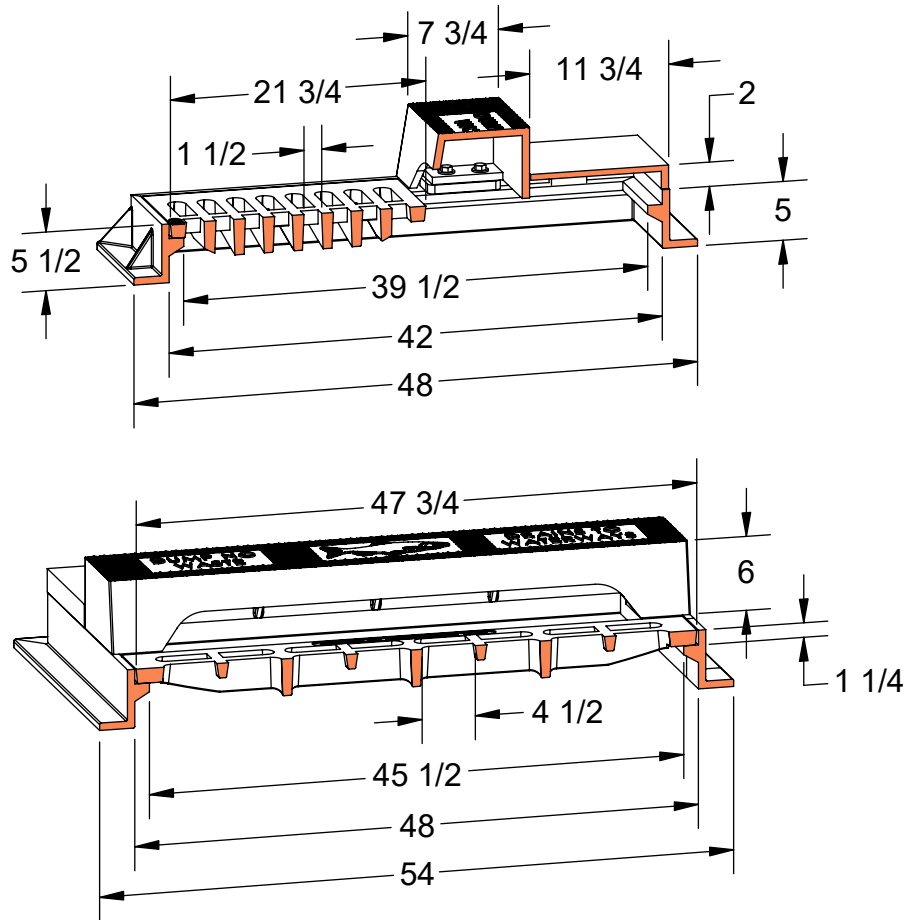


PRODUCT #22618-6R

B-Inlet Frame, Grate, 6" Curb (R-Style), Back Plate



Flow Area
~415 in²



Heavy Duty



AASHTO M306



ASTM A48



Gray Iron Class 35B



Bicycle Safe