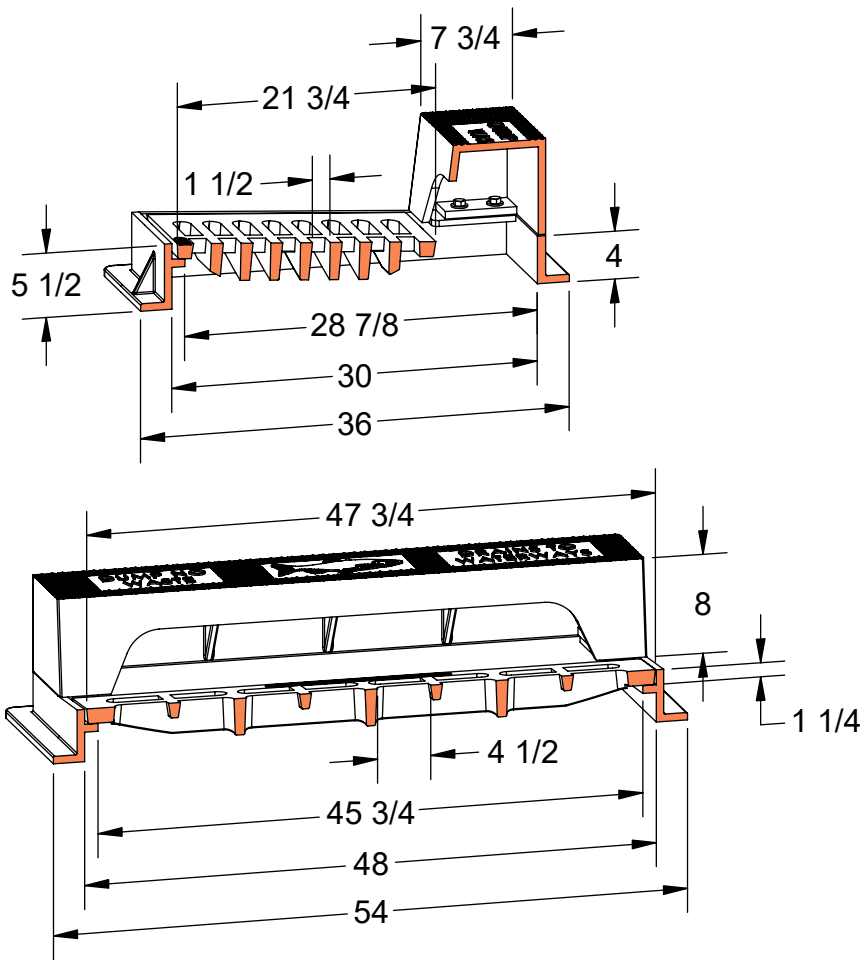


PRODUCT #22617-8R

D-Inlet Frame, Grate, 8" Curb (R-Style)



Flow Area
~415 in²



Heavy Duty



AASHTO M306



ASTM A48



Gray Iron Class 35B



Bicycle Safe