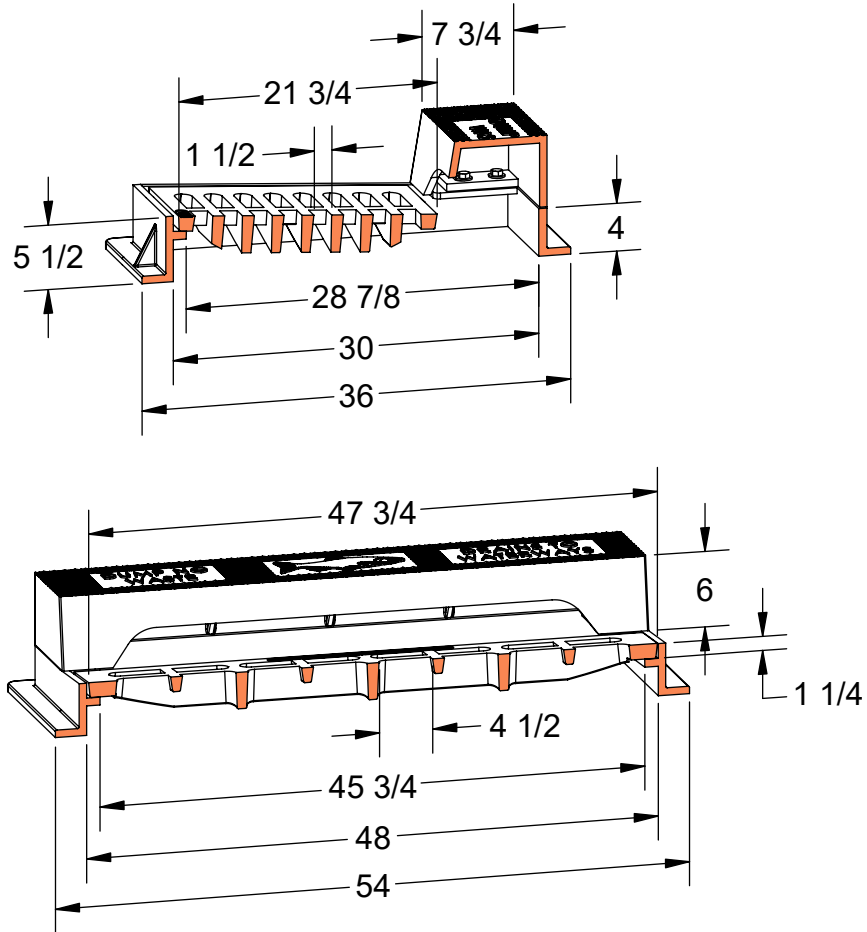


**PRODUCT #22617-6R**  
 D-Inlet Frame, Grate, 6" Curb (R-Style)



**Flow Area**  
 ~415 in<sup>2</sup>



Heavy Duty



AASHTO M306



ASTM A48



Gray Iron Class 35B



Bicycle Safe