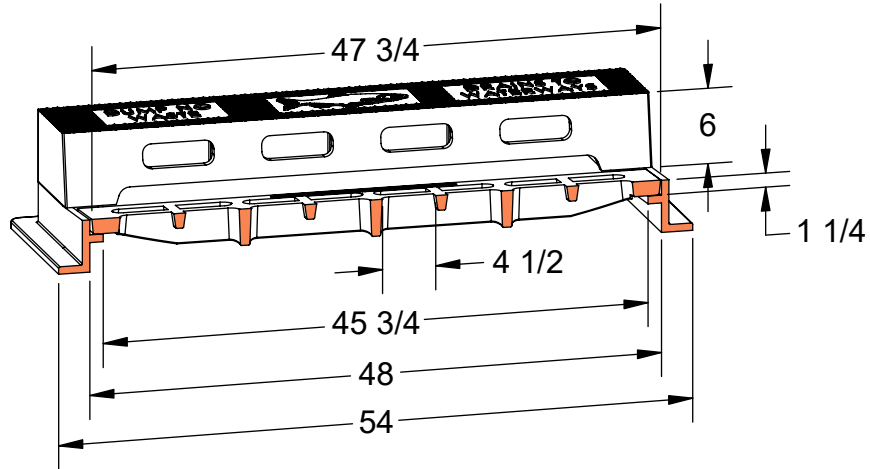
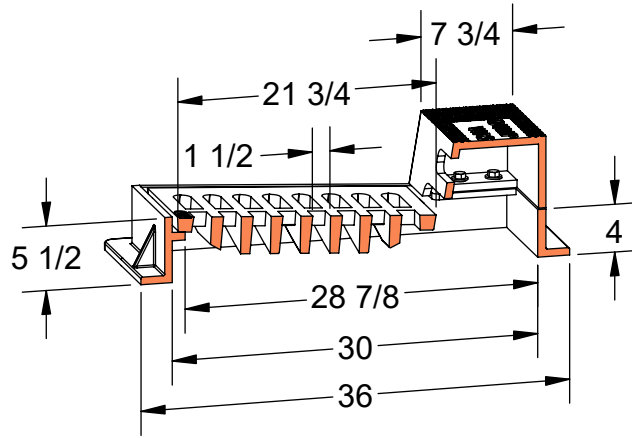


**PRODUCT #22617-6N**

D-Inlet Frame, Grate, 6" Curb (N-Style)



**Flow Area**

~415 in<sup>2</sup>



Heavy Duty



AASHTO M306



ASTM A48



Gray Iron Class 35B



Bicycle Safe