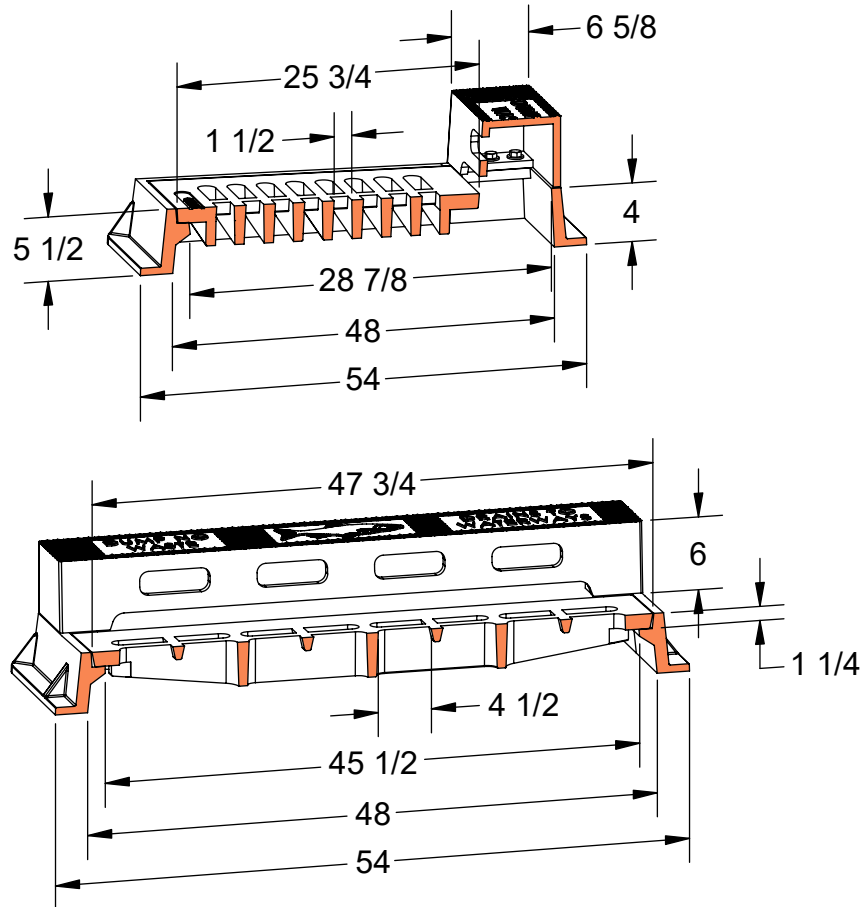


**PRODUCT #22596-6N**

NYC Type 3 Frame, Grate, 6" Curb (N-Style)



**Flow Area**  
~415 in<sup>2</sup>

**Notes**

Frame conforms to NYC DEP STD. DWG. SE58B  
Grate & Curb conform to NYC DEP STD. DWG. SE59A & SE59B



Heavy Duty



AASHTO M306



ASTM A48



Gray Iron Class 35B



Bicycle Safe