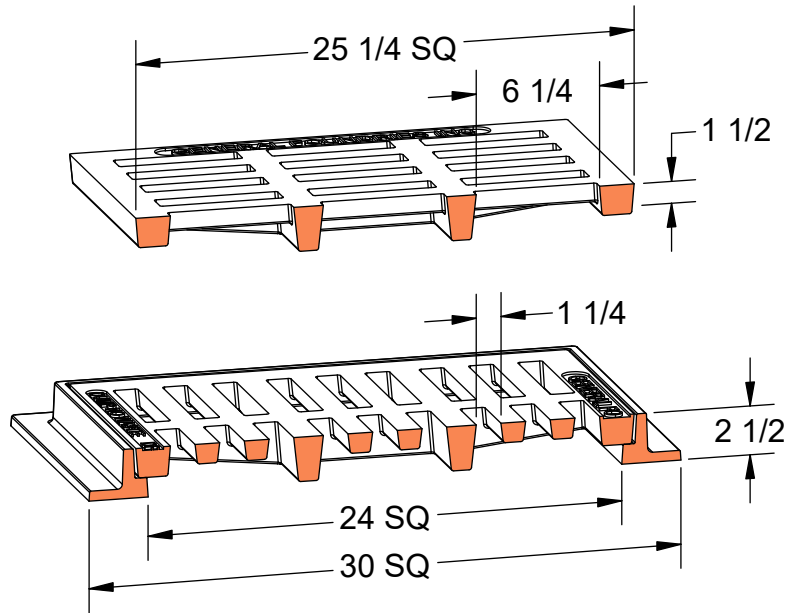
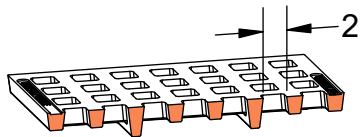


PRODUCT #22532-SLT
25" x 25" Frame & Grate



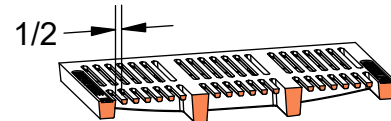
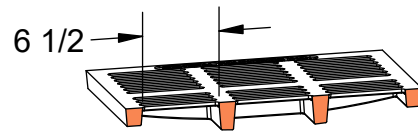
Flow Area
~215 in²

22532-SQH



Flow Area
~195 in²

22532-ADA



Flow Area
~205 in²



Heavy
Duty



AASHTO
M306



ASTM
A48



Gray Iron
Class 35B



Solid Cover
Available



ADA
Compliant