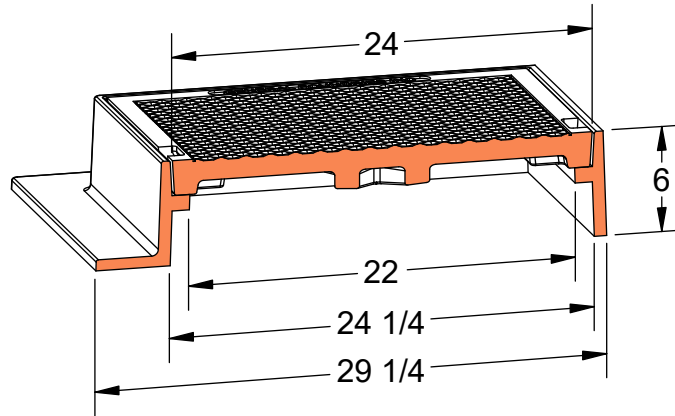
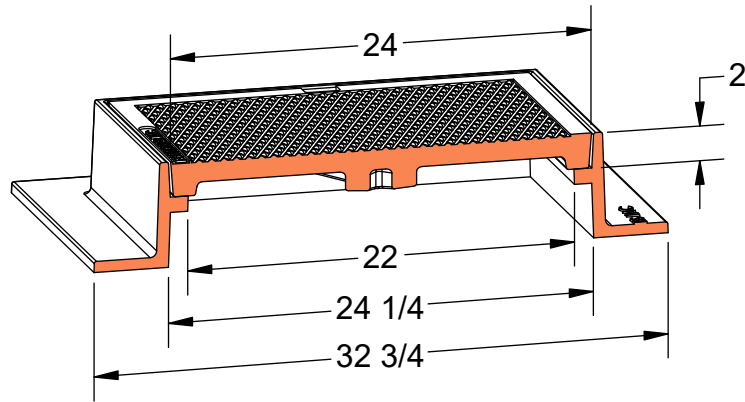


PRODUCT #22463

New England 6" 3 Flange Frame & Cover



Available Markings

- Communication
- Electric
- Plain
- Signal



Heavy Duty



AASHTO M306



ASTM A48



Gray Iron Class 35B



Grates Available



Risers Available