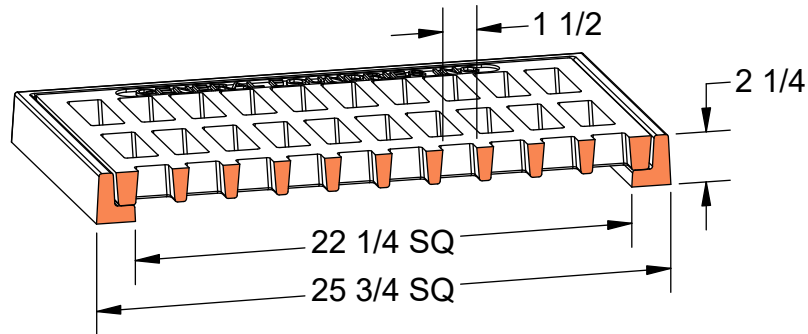
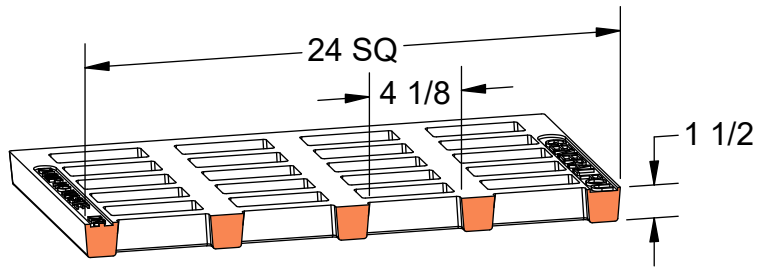
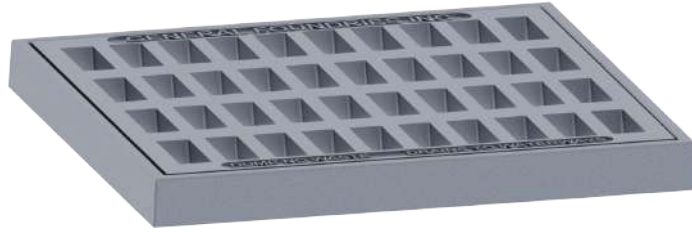


PRODUCT #22402-SLT  
M2 24" x 24" Frame & Grate



Flow Area  
~250 in<sup>2</sup>



Heavy Duty



AASHTO M306



ASTM A48



Gray Iron Class 35B