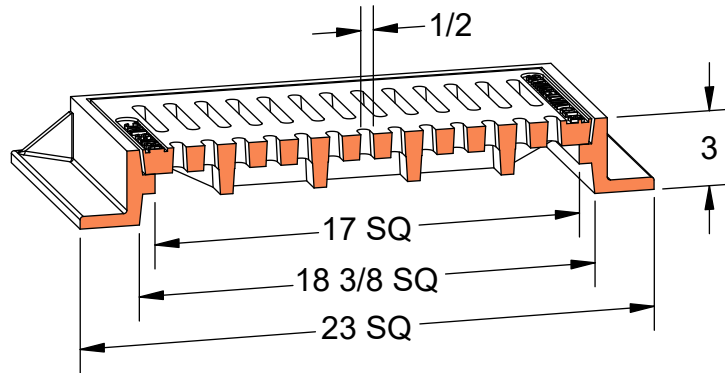
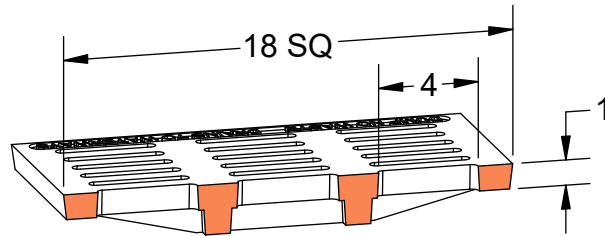


PRODUCT #21832-ADA
18" x 18" Frame & Grate



Flow Area
~105 in²



Heavy Duty



AASHTO M306



ASTM A48



Gray Iron Class 35B



Reversible



ADA Compliant



Solid Cover Available