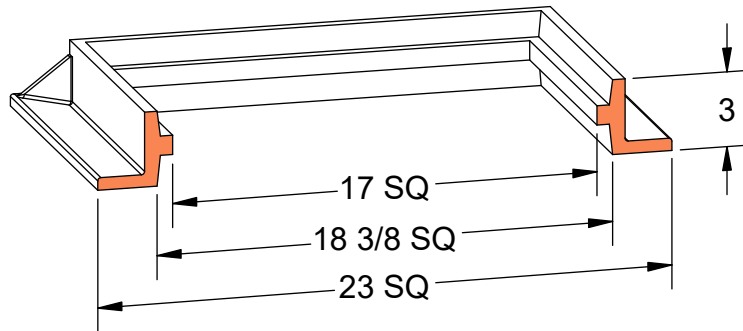
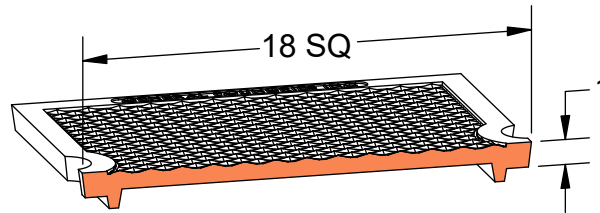


PRODUCT #21831
18" x 18" Frame & Cover



Available Markings

Electric
Plain



Light
Duty



ASTM
A48



Gray Iron
Class 35B



Reversible



Grates
Available