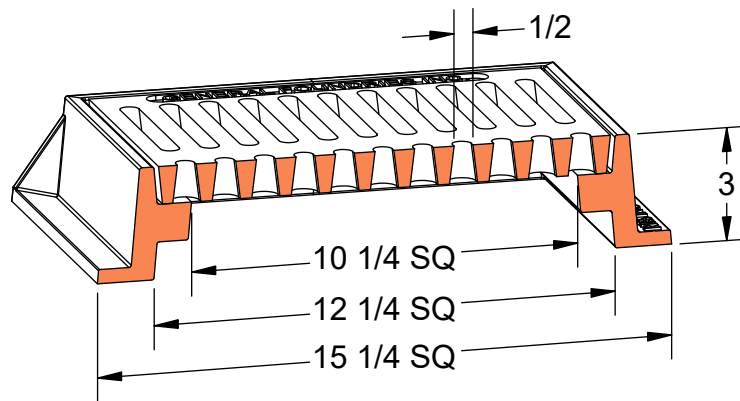
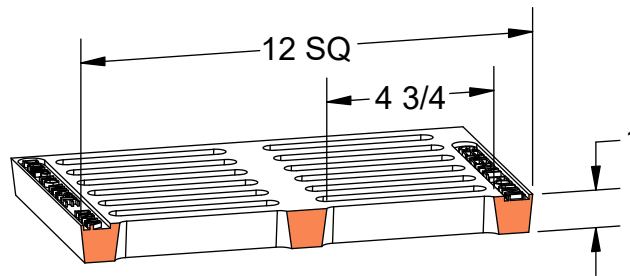


PRODUCT #21232-ADA  
12" x 12" Frame & Grate



Flow Area  
~55 in<sup>2</sup>



Light Duty



ASTM A48



Gray Iron Class 35B



Reversible



ADA Compliant



Solid Cover Available