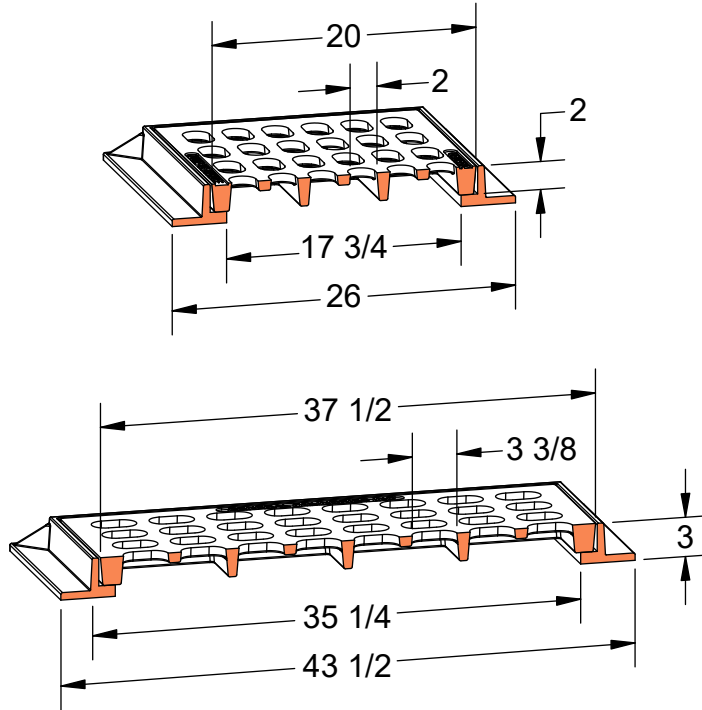


PRODUCT #20372-OVL
Brookhaven Frame & Grate



Flow Area
~285 in²



Heavy Duty



H-20



ASTM A48



Gray Iron Class 35B