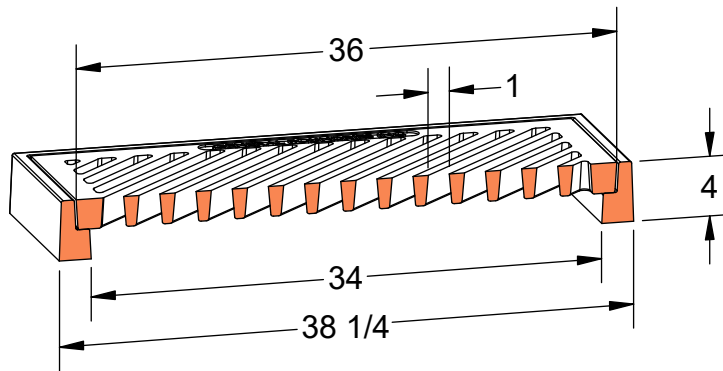
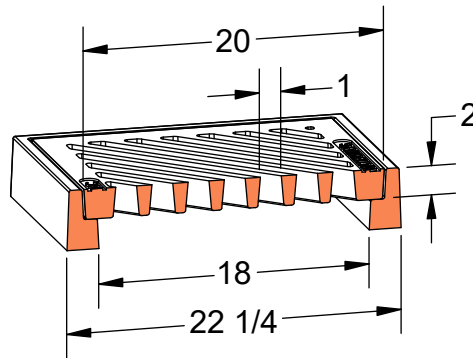


PRODUCT #20364-DIA
Pennsylvania Frame & Grate



Flow Area
~305 in²



Light
Duty



ASTM
A48



Gray Iron
Class 35B